

SISO LOCKS



- high quality furniture fittings



The technical descriptions and dimensions in this catalogue, also those the photographs and drawings, are not binding. We reserve the right to make design improvements.

We bear no liability for any misprints or other errors that might occur in the production of the catalogue.

SISO A/S tager forbehold for trykfejl samt ændringer i produktets specifikationer.

Für Druckfehler und Irrtümer ist jede Haftung ausgeschlossen. Produktänderungen behalten wir uns vor.



- high quality furniture fittings

















SISO A/S
MILEPARKEN 11
DK - 2740 SKOVLUNDE
(COPENHAGEN)
DENMARK
PHONE: (+45) 45 830 900
FAX: (+45) 45 830 444

DISTRIBUTOR

CONTENT

"MIC" SYSTEM	5
RIM LOCKS	6-14
SLAM LOCKS	15-16
ROLL BLIND LOCKS	16-17
SHUTTER/SLIDING DOOR LOCKS	18-19
FLAP LOCKS	20
CAM LOCKS	21-26
CAM PLATES & ACCESSORIES F/CAM LOCKS	27-28
PUSH LOCKS	29-32
WINDOW LOCKS	32
PADLOCKABLE CAM LOCKS	33-34
PADLOCKS	35-36
CENTRAL LOCKS	37-43



BOX LOCKS	44	
MORTISE LOCKS	45	
FURNITURE KEYS	46-47	
ESCUTCHEONS	48	
ESPAGNOLETTE LOCKS	49-55	
PASQUIL CABINET LOCK	56	
METAL FURNITURE LOCKS	57-61	
LOCK ACCESSORIES	62-67	
GLASS DOOR LOCKS	68-85	
COMBINATION LOCKS W/DIGIT'S	86-95	
KEY STORAGE	96-97	
BRASS PROFILE CYLINDERS	98-99	
DOOR LOCKS	100-101	
GUN LOCK W/DIGIT'S	101	
COIN DEPOSIT LOCK	102	
ELECTRONIC LOCKS	103-110	

PRESENTATION

Our locks are mainly made of zamak and are as standard supplied 6 wafers, giving 400 different key combinations. **Master key system** and **Interchangeable Cylinders** are also available.

Some models are available laser cut "Snake" keys, granting 1000 key combinations. Keys are made of solid brass material. Some models are brass pins & tubular keys, granting 2000 key combination.

All locks are supplied as standard 1 rosette and 2 double dented keys, marked combination numbers.

Keys are as standard supplied black nylon cover, and can also be supplied as "**hinged**" type. However the keys may also be supplied all metal.

Optional: Locks may be supplied key combination number already prestamped on the cylinders. Locks **Master key & Interchangeable system (MIC)** are as standard supplied key combination number already **prestamped on the cylinders**.

You may ask for your own designed key and logo. Only you have to order minimum 10,000 keys (= 5000 locks of different models).

ABBREVIATIONS/SYMBOLS

- K/A = *Key Alike (all locks same key code)*
- K/D = *Key to Differ (all locks different key code)*
- NPL = *Nickel Plated*
- BPL = *Brass Plated*
- CPL = *Chrome Plated*
- ALU = *Matt Chrome*
- BRZ = *Bronze Plated*
- Backset = *Distance from centre of key entrance to the edge of the lock, where the locking tongue protrudes.*
- M** = **Master Key System.** *We offer 5 different Master Key groups named: J-11, J-12, J-13, J-14 or J-15. The groups J-11 and J-12 are stock items. Other groups require a certain delivery time. Master keys are covered white nylon and marked Master key Group number, f.inst. J-12. This master key can open all 400 different key combinations in this group.*

MIC = *Master key & Interchangeable Cylinder*. Apart from a few models, most of our locks may be supplied MIC system. Keys for changing the cylinder is covered red nylon.

ADVANTAGE of MIC:

- 1) **Security:** You can install the cylinders or change same to desired key combination at the final location. This offers additional security against unauthorized opening.
- 2) **Comfort:** It is easy to change cylinders out having to dismantle or change the lock already installed. In case of lost keys you can open the furniture either the master key or you can take out the cylinder the red key and replace it by a new cylinder. Insertion of loose cylinder into the lock body out any additional accessories – just the red key.

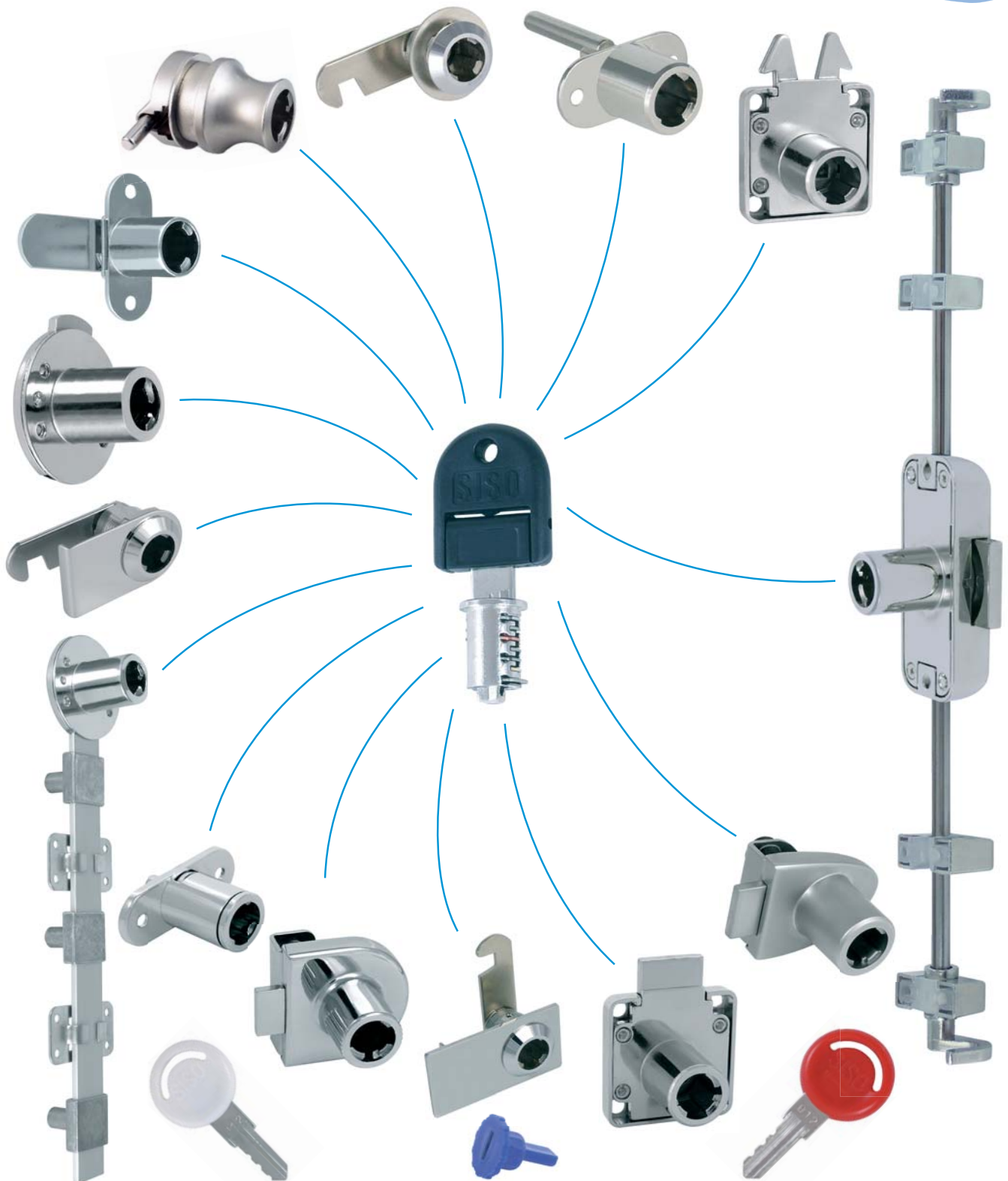
All MIC Locks are supplied master key system as standard and cylinders are marked key combination number.

MIC locks are supplied fixed cylinders or you can have empty lock bodies only and buy the cylinders separately, either as key alike or key to differ. If you buy lock bodies only, our locks are supplied a nylon plug inside the cylinder housing. The plugs have different colours:

Drawer position: blue colour
Right position: black colour
Left position: red colour



The plug prevents the cylinder housing from being damaged and you just remove the plug and insert the cylinder in this lock position.



Installation of cylinder into an empty lock body

1. Make sure that the arrow on the plastic plug points towards the lock tongue. If not in the correct position take a flat screw driver and turn the plug to the right position.
2. Take out the plastic plug from the lock body.
3. Take off the transparent plastic tube from the cylinder.
4. Insert the loose cylinder into the empty lock body right to the end.
5. Turn the key 90° & draw the key.
6. The cylinder has successfully been installed.

Application:

Drawers, wardrobes and cabinets

Accessories for one set:

- 1 lock
- 1 rosette
- 2 SISO car keys

Specification:

Zamak lock body & cylinder
 Steel rosette & keys
 Cylinder diam. 19 or 16,5 mm
 Cylinder lengths:
 18, 22, 26, 32 & 38 mm
 400 key combinations or key alike
 Drawer, left or right hand versions
 Master key & Interchangeable
 system available on request

Finish:

- Nickel plated
- Black anodized
- Bronze plated
- Aluminium finish
- Brass plated

Packing:

- 12 pcs per box
- 240 pcs per export carton

Item No.: # 14.00.000 etc.



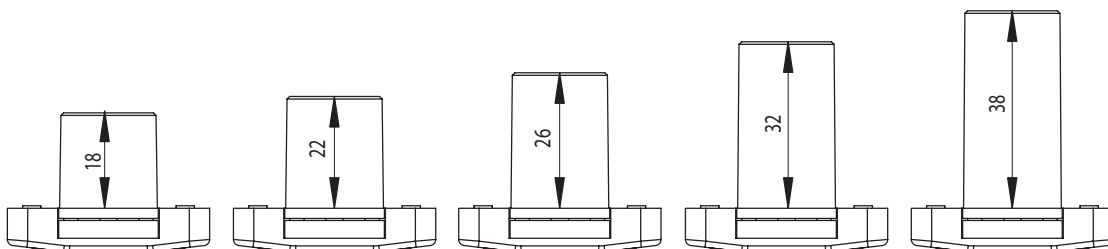
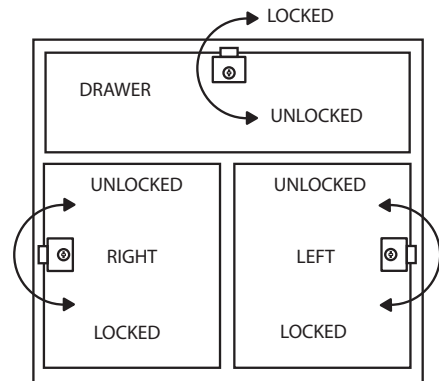
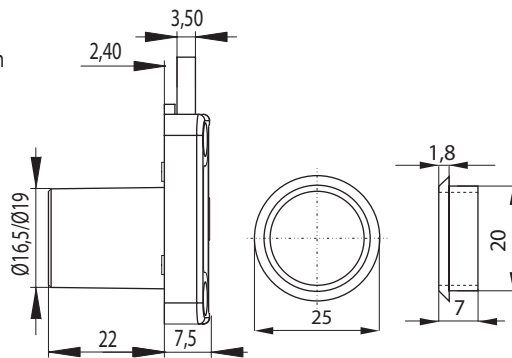
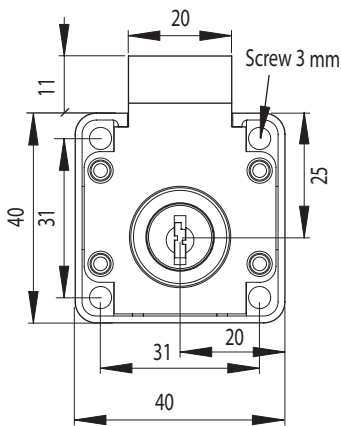
400 KD



RIGHT HAND

DRAWER

LEFT HAND



RIM LOCK NO. 850 SNAKE KEY

Application:

Drawers, wardrobes and cabinets

Accessories for one set:

- 1 lock
- 1 rosette
- 2 SISO snake car keys

Specification:

Zamak lock body & cylinder, NPL
Steel rosette & brass keys
Cylinder size $\varnothing 19 \times 22$ mm
1000 key combinations or key alike
W/master key & interchangeable
system (MIC)
Drawer, left or right hand versions

Finish:

Nickel plated
Other finishes on request

Packing:

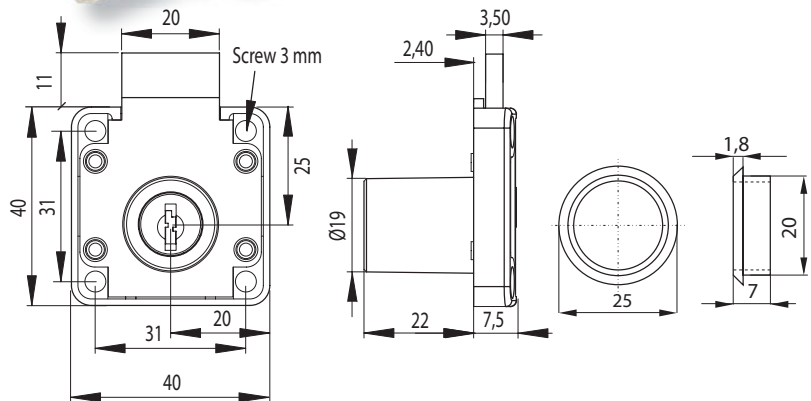
25 pcs per box
250 pcs per export carton

Item No.:

Drawer (no MIC)	# 14.00.200
Drawer w/master key system	# 14.00.210
Drawer w/MIC system	# 14.00.220
Right hand w/MIC system	# 14.00.221
Left hand w/MIC system	# 14.00.222
Master key (blue)	# 14.04.137
Interchangeable key (red)	# 14.04.138



**1000 KD
EXTRA STRONG KEYS**



RIM LOCK NO. 850 W/TUBULAR KEYS

Application:

For drawers, wardrobes & cabinets

Accessories for one set:

- 1 lock w/cylinder $\varnothing 19 \times 22$ mm
- 1 rosette
- 2 SISO tubular car keys

Specifications:

Lock body & cylinder made of zamak
Innercore made of brass material
Rosette & keys made of steel
Drawer. Left & right available on request

2000 key combinations

Packing:

15 pcs per box
120 pcs per export carton

Item No.:

Nickel plated # 14.00.100

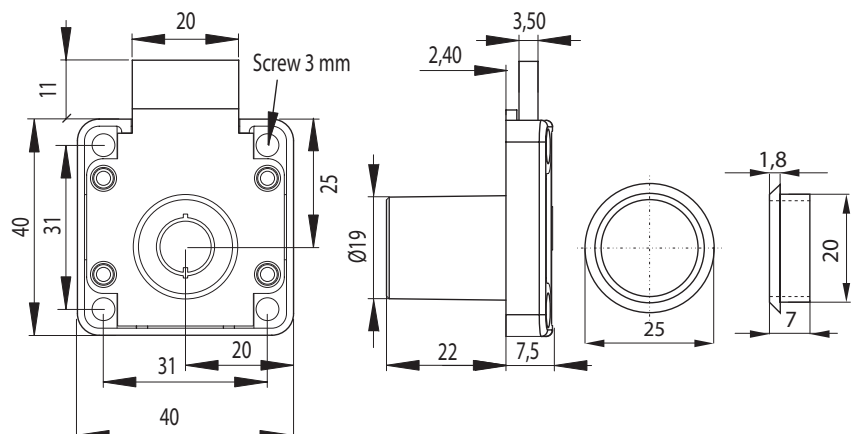
Also available with key retention
(no key pull out when open)

Item No.:

Nickel plated #14.00.101



**2000 KD
EXTRA STRONG KEYS**



Application:

Drawers, wardrobes and cabinets etc. where you want to drill hole further from the edge

Accessories for one set:

- 1 lock
- 1 rosette
- 2 SISO car keys

Specification:

Zamak lock body & cylinder
Steel rosette & keys
400 key combinations
Drawer version. Left & right hand versions available on request
Master key & Interchangeable system available on request

Finish:

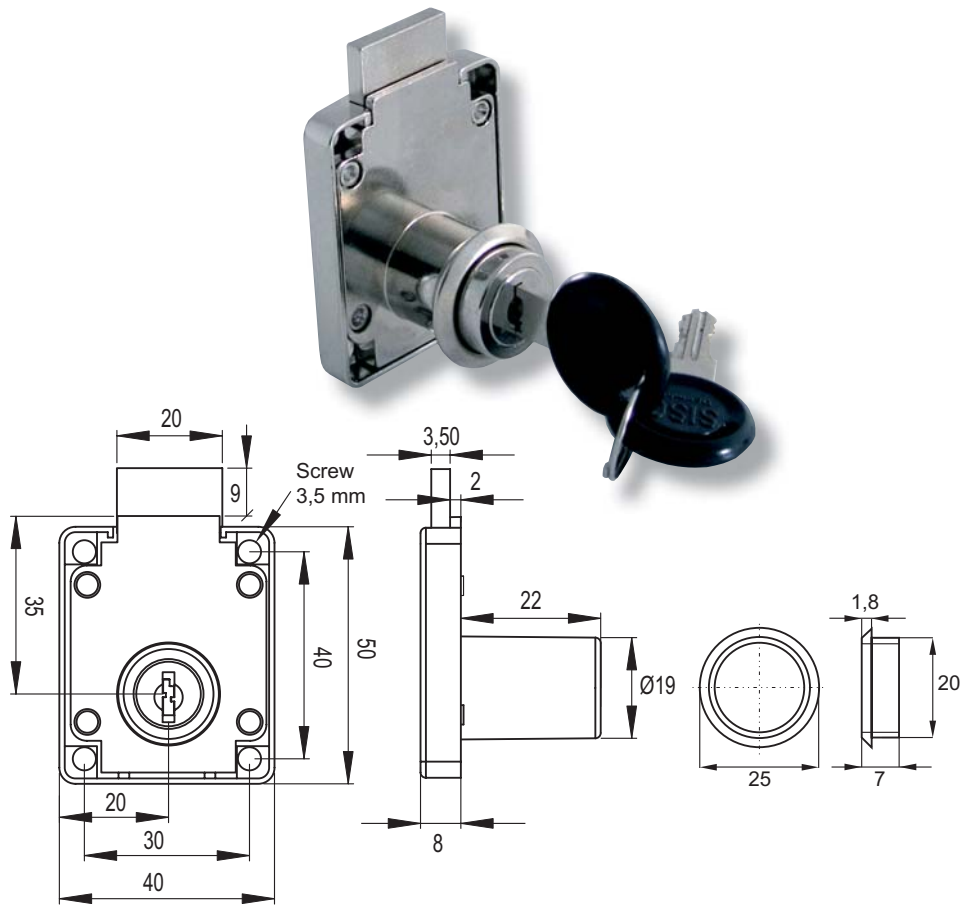
Nickel plated
Other finishes upon request

Packing:

12 pcs per box
240 pcs per export carton

Item No.:

- Right # 14.01.096
- Left # 14.01.095
- Drawer # 14.01.097



LOCK W/ADJUSTABLE BACKSET MODEL "SERBIA"

Application:

Drawers, wardrobes and cabinets etc.

Accessories one set:

- 1 lock
- 1 rosette
- 2 SISO metal keys

Specification:

Zamak lock body & cylinder
Steel rosette & keys
60 key combinations
Drawer version. Left & right hand versions available on request

Finish:

Nickel plated
Other finishes upon request

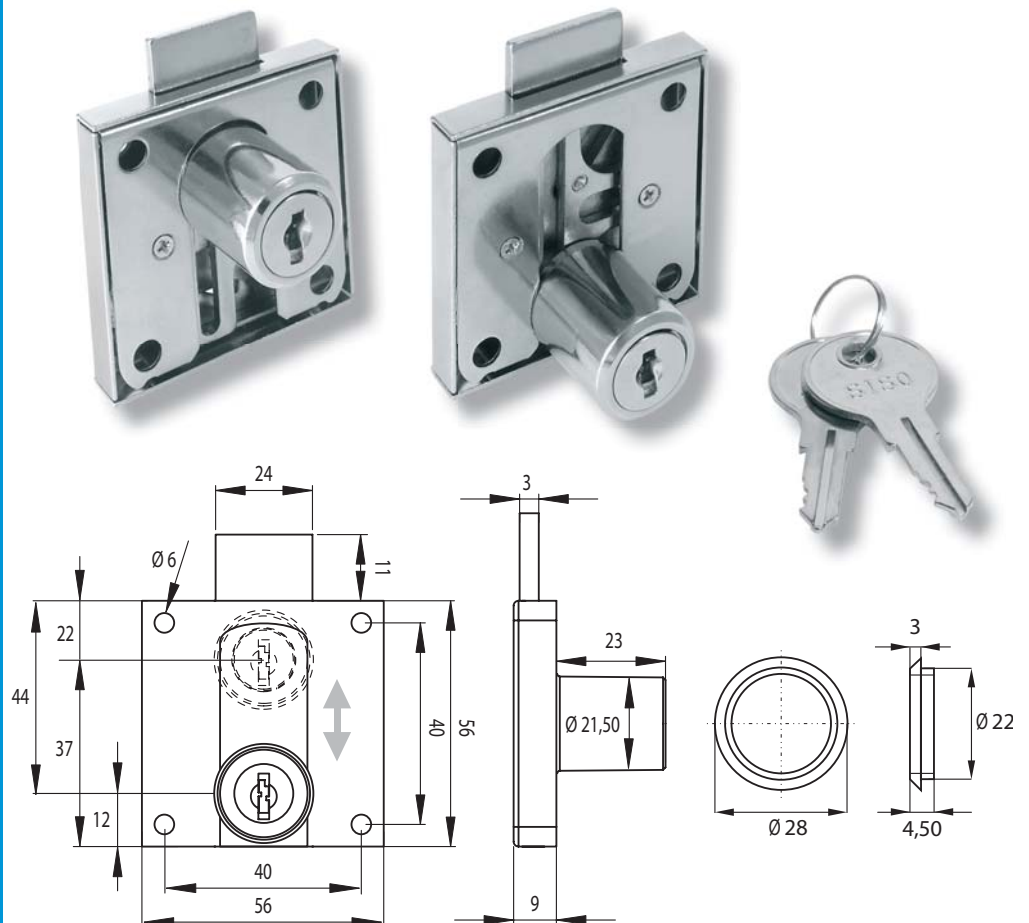
Packing:

30 pcs per box
300 pcs per carton

NB!

You can drill a hole for cylinder any place between 22 and 44 mm from cabinet edge

Item No.: # 14.01.015



RIM LOCK W/ADJUSTABLE BACKSET NO. 965



Application:

Drawers, wardrobes and cabinets

Accessories for one set:

- 1 lock
- 1 rosette
- 2 SISO car keys

Adjustable backset:

15, 20, 25, 30, 35, 40 mm
To adj. backset, remove the cylinder from the housing screwdriver and mount it in the required backset position

Specification:

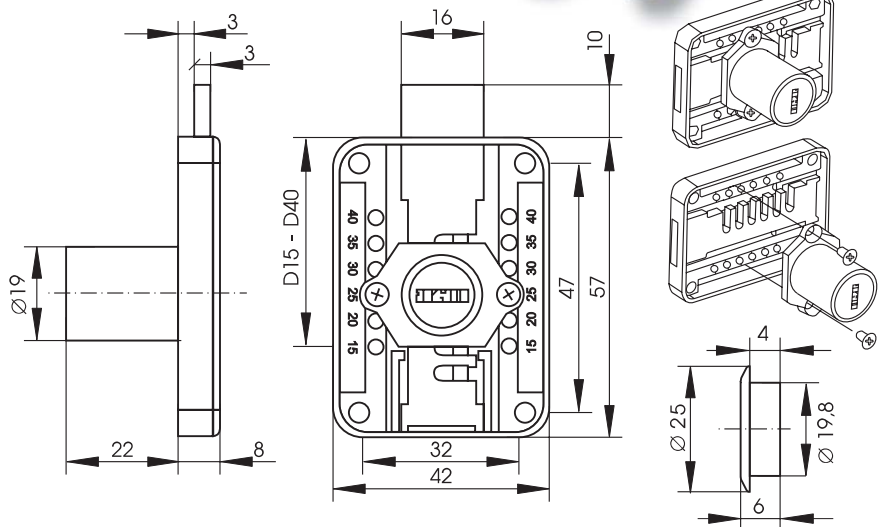
Zamak lock body & cylinder
Steel rosette & keys
400 key combinations
Left & right hand versions. Drawer version available on request
Master key & Interchangeable system available on request

Finish:

Nickel plated
Other finishes upon request

Item No.:

- Right hand # 14.01.013
- Left hand # 14.01.012



RIM LOCK NO. 850-N - Millennium

Application:

Drawers, wardrobes and cabinets

Accessories for one set:

- 1 lock
- 1 rosette
- 3 mounting screws
- 2 SISO round metal keys

Specification:

Zamak lock body & cylinder
Steel rosette, screws & keys
Cylinder dia. 19 or 16,5 mm
400 key combinations
Drawer version. Left & right hand versions available on request
Master key & Interchangeable system available on request

Finish:

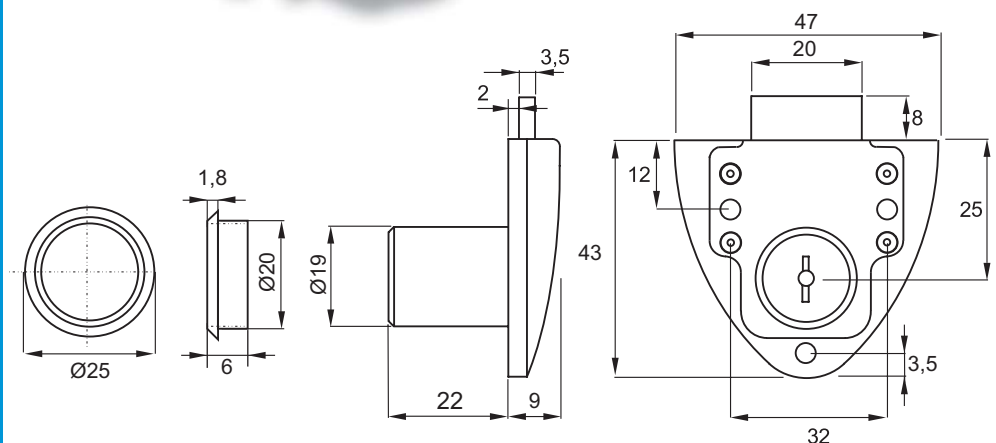
Nickel plated
Aluminium finish
Black anodized
Black nickel
Gold plated

Packing:

12 pcs per box
240 pcs per export carton

Item No.:

14.01.050 etc.



Application:

Drawers, wardrobes and cabinets

Accessories for one set:

- 1 lock
- 1 rosette
- 2 SISO car keys

Specification:

Zamak lock body & cylinder
 Steel rosette & keys
 Cylinder diam. 19
 Cylinder lengths: 22 mm
 400 key combinations
 Drawer version. Left & right hand
 version available on request
 Master Key system available
 on request

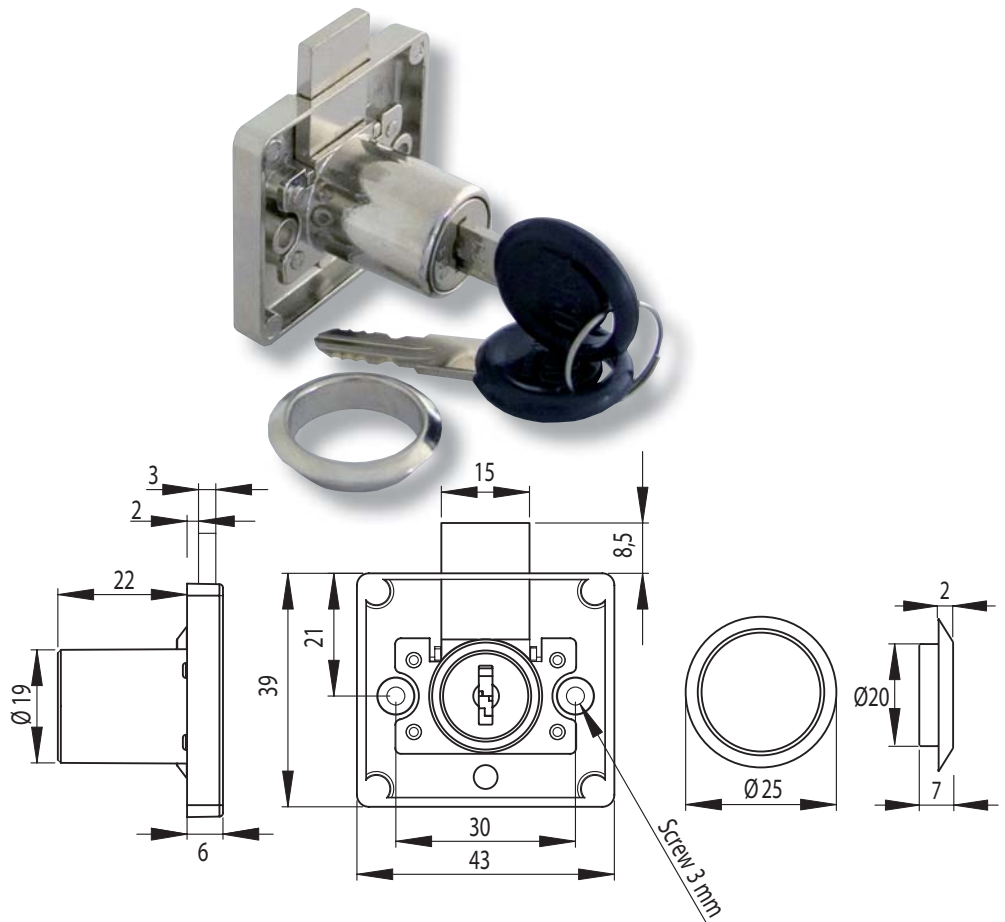
Finish:

Nickel plated
 Black anodized
 Other finishes upon request

Packing:

12 pcs per box
 240 pcs per export carton

Item No.: # 14.01.000 etc.



RIM LOCK NO. 850, LONG LATCH

Application:

Drawers, wardrobe, cabinets
 where big gab is expected
 or locking double door
 middle wall in between

Accessories for one set:

- 1 lock
- 1 rosette
- 2 SISO car keys

Function:

Turn key 180° latch come out half
 turn 360° latch will extend twice

Specification:

Zamak lock body & cylinder
 Steel rosette & keys
 Cylinder length 22 & 32 mm
 400 key combinations
 Drawer version. Left & right hand
 version available on request
 Master Key system available
 on request

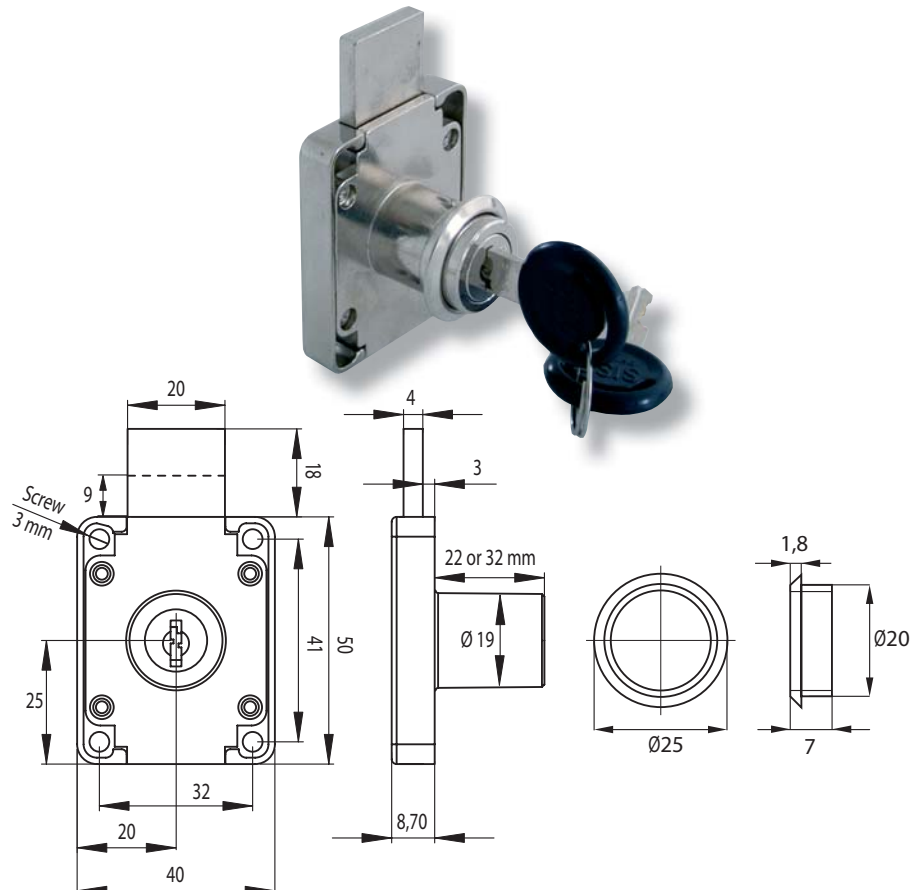
Finish:

Nickel plated
 Other finishes upon request

Packing:

12 pcs per box
 240 pcs per export carton

Item No.: # 14.01.090



RIM LOCK NO. 853N "MILLENNIUM"



Application:

Drawers, wardrobes and cabinets

Accessories for one set:

- 1 lock
- 1 rosette
- 4 screws
- 2 SISO car keys

Specification:

Zamak lock body & cylinder
Steel rosette & keys
400 key combinations or key alike
Drawer version. Left & right hand
version available on request
Master key & Interchangeable
system available on request

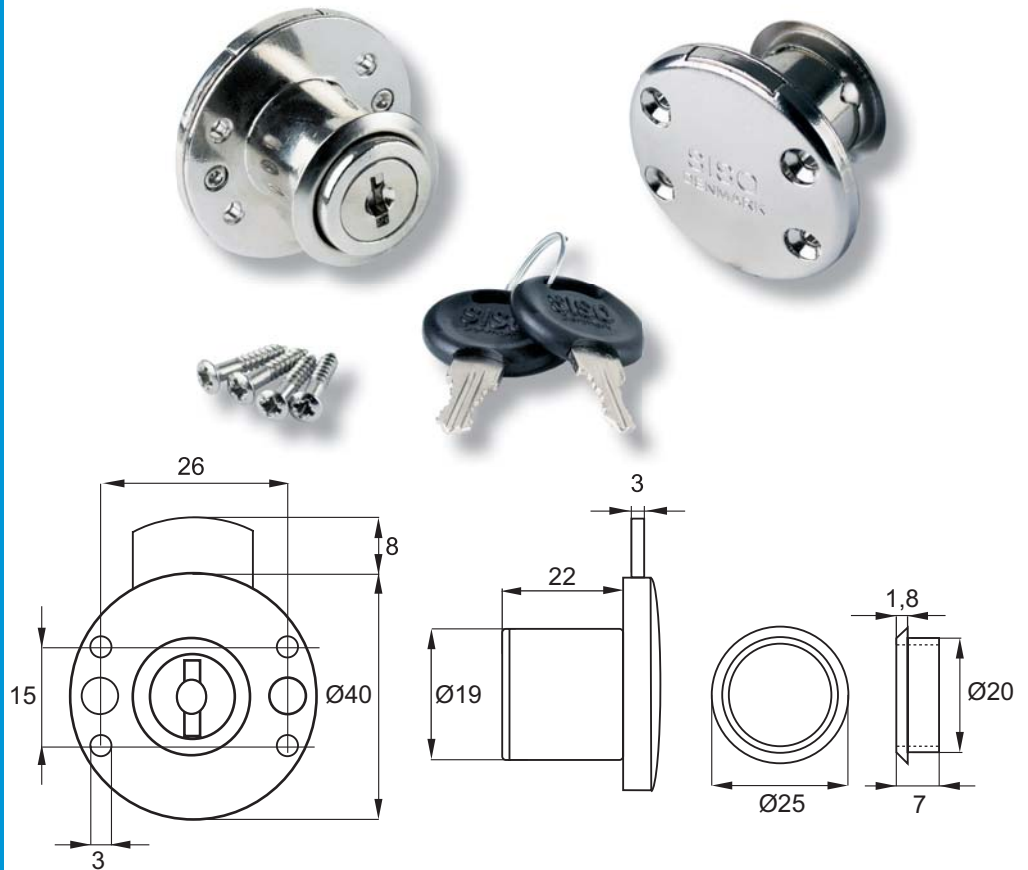
Finish:

Nickel plated
Other finishes upon request

Packing:

12 pcs per box
240 pcs per export carton

Item No.: # 14.01.269 etc.



RIM LOCK NO. 850 GREY SISO DK name plate

Application:

Drawers, wardrobes and cabinets

Accessories for one set:

- 1 lock w/cylinder ø 19 x 22 mm
- 1 rosette
- 2 SISO car keys

Specifications:

Zamak lock body & cylinder
Steel rosette & keys
SISO DK name plate grey plastic.
400 key combinations
Drawer. Left & right available on
request

Master key system available
Interchangeable system
NOT possible

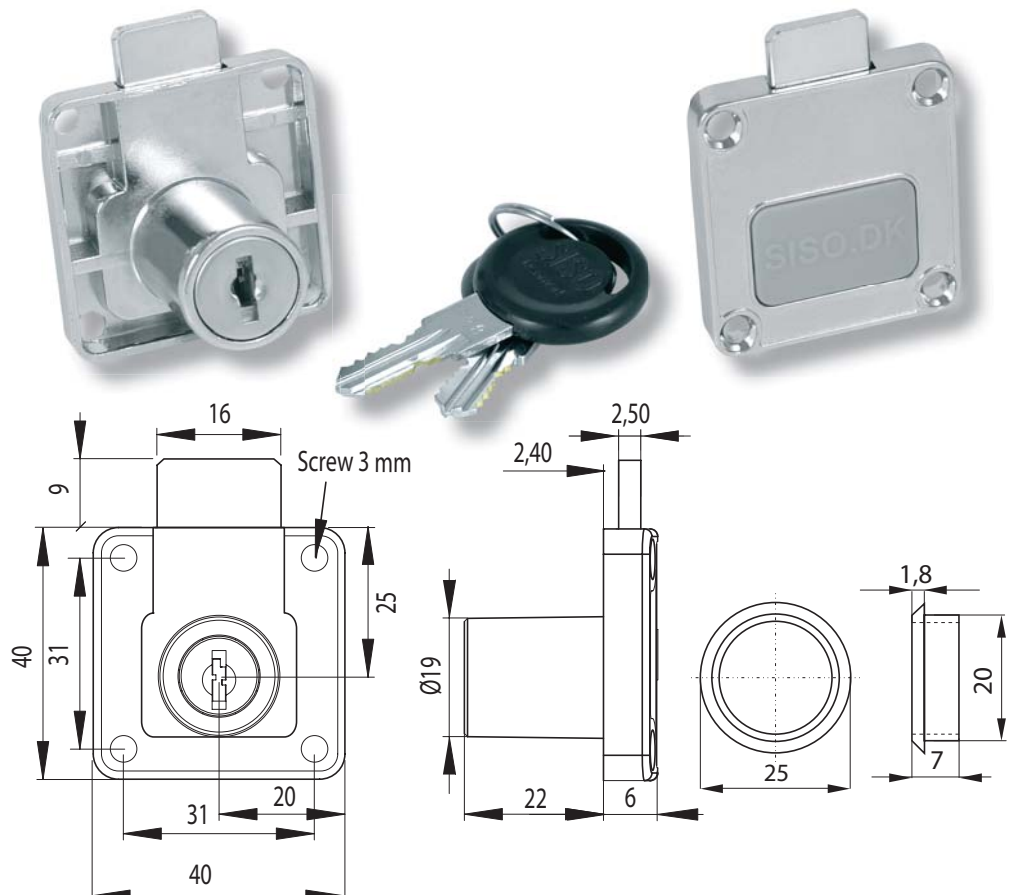
Packing:

12 pcs per box
240 pcs per export carton

Item No.:

Nickel plated # 14.01.054

Other finishes upon request



Application:

For drawers, wardrobes & cabinets

Accessories for one set:

- 1 lock
- 1 rosette
- 2 "CPH" hinged car keys

Specifications:

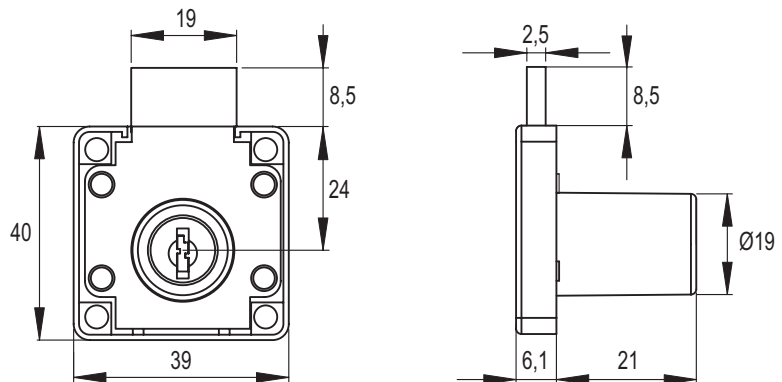
Zamak lock body & cylinder
 Steel rosette & keys
 Cylinder size: $\varnothing 19 \times 21$ mm
 80 key combinations or key alike
 Only available as drawer version

Finish:

Nickel plated

Item No.:

- Key to differ: # 14.01.056-0
- Key alike: # 14.01.056-5



RIM LOCK NO. 850 W/PLASTIC BODY

Application:

Drawers, wardrobes and cabinets

Accessories for one set:

- 1 lock w/cylinder $\varnothing 19 \times 22$ mm
- 1 rosette
- 2 neutral car keys
 or hinged car keys (HCK)

Specifications:

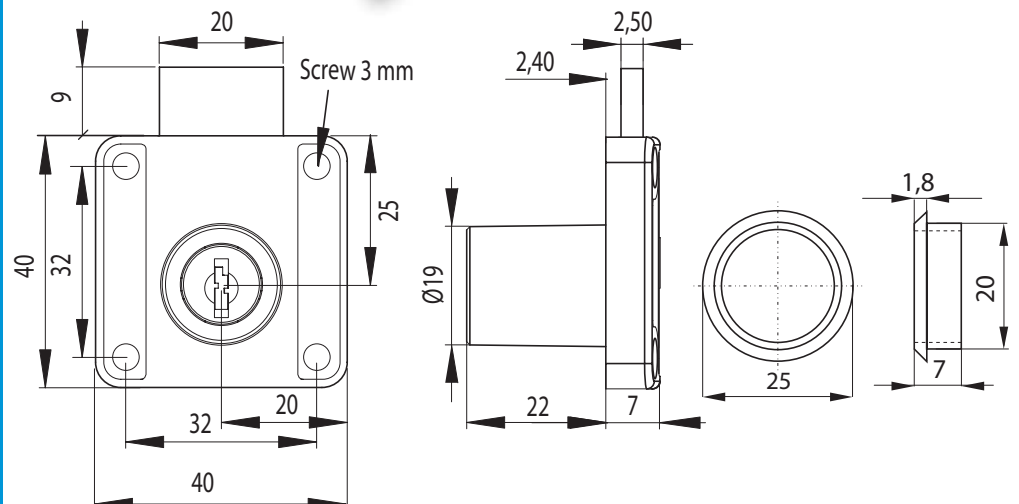
Lock body made of plastic.
 Cylinder made of zamak.
 Rosette & keys made of steel
 Drawer version. Left & right hand
 version available on request

Packing:

- 12 pcs per box
- 240 pcs per export carton

Item No.:

- Black w/car keys # 14.01.051-1
- Black w/hinged CK # 14.01.051-3
- Brown w/car keys # 14.01.051-5



RIM LOCK DOUBLE "LOCKING"

Application:

Perfect for double door cabinets and wardrobes

Accessories for one set:

- 1 lock w/cylinder $\varnothing 19 \times 22$ mm
- 1 rosette
- 2 L-shaped striking plates
- 2 SISO car keys

Specifications:

Lock body & cylinder made of zamak
 Rosette, striker & keys made of steel
 400 key combinations or key alike
 Right or left hand version

Finish:

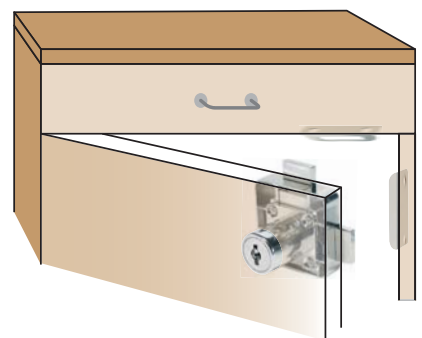
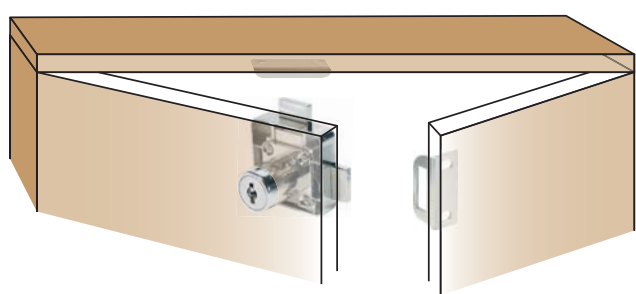
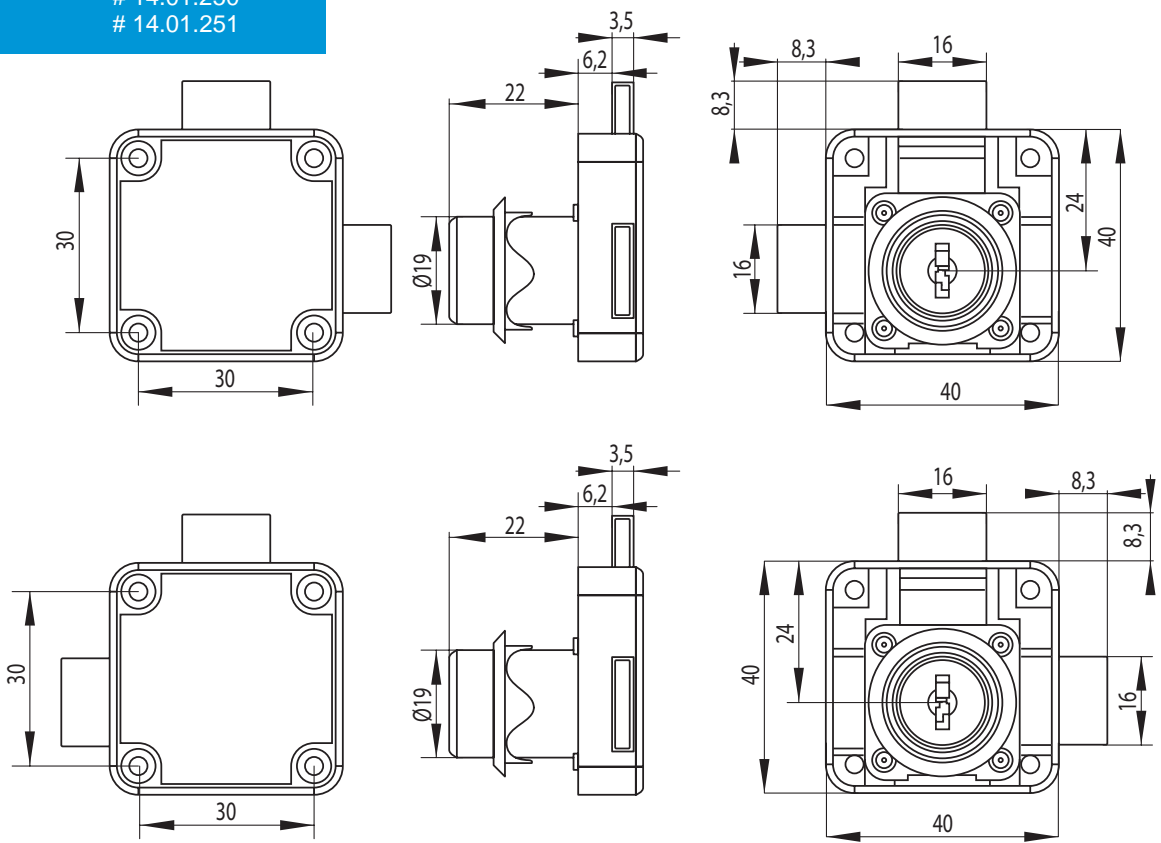
Nickel plated
 Other finishes upon request

Packing:

12 pcs per box
 240 pcs per export carton

Item No.:

Right # 14.01.250
 Left # 14.01.251



Application:

For drawers, wardrobes & cabinets

Accessories for one set:

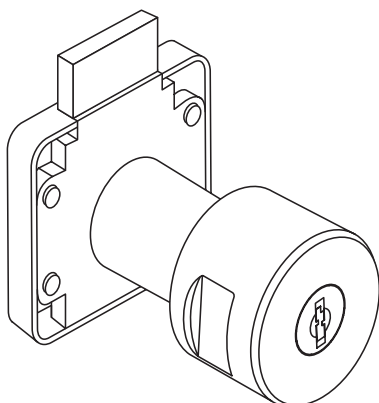
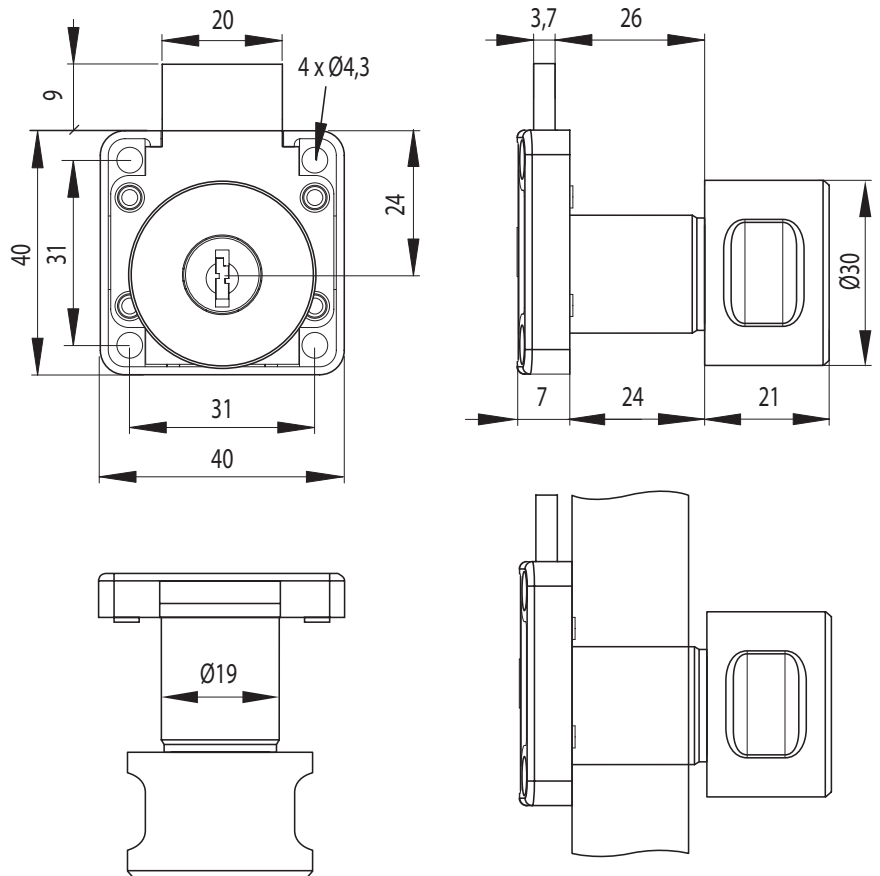
- 1 lock
- 1 knob + pin
- 2 SISO car keys

Specifications:

Zamak lock body, cylinder & knob
 Knob & lock body are supplied
 uninstalled
 Steel keys
 Cylinder size: $\varnothing 19 \times 22$ mm
 400 key combinations
 W/Master key & interchangeable
 system #J11 (MIC).

Item No.:

- Chrome Plated # 14.00.105
- Alu finish # 14.00.106



Knob mounting instruction

1. Make sure that the lock is in open position.
2. Install the lock body on the furniture.
3. Push the knob into the lock body & the lock is ready to be used.
4. To remove the knob you need to remove the cylinder. Use the red interchangeable key.
5. Then you use the steel pin supplied to push down an activator latch inside the cylinder.
6. Keep the latch down and pull the knob apart from the lock body.
7. New cylinder can only be installed in open position.

Application:

Hotel minibars, tills, drawers, wardrobes and cabinets

Accessories for one set:

- 1 lock
- 1 rosette
- 1 striking plate
- 2 SISO car keys

Function:

Spring loaded tongue allows doors and drawers to push lock automatically

Specification:

Zamak lock body & cylinder
Steel rosette & keys
400 key combinations
Steel rosette, keys & striker
Drawer version. Left & right hand version available on request
Master Key system available on request

Finish:

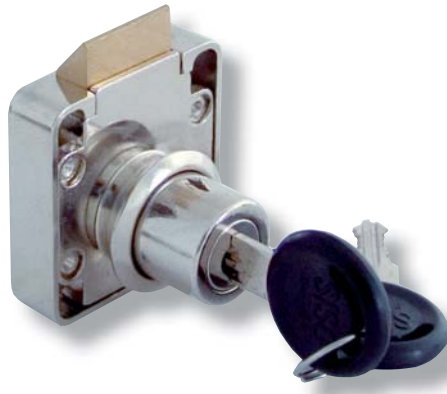
Nickel plated

Packing:

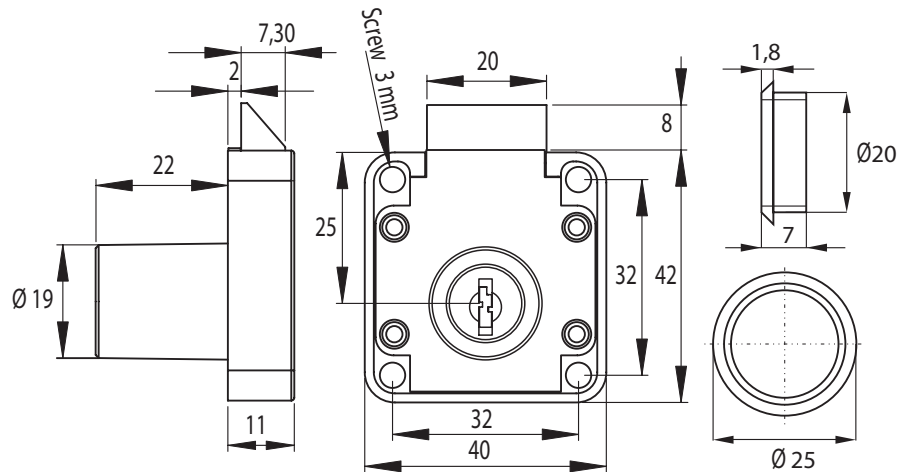
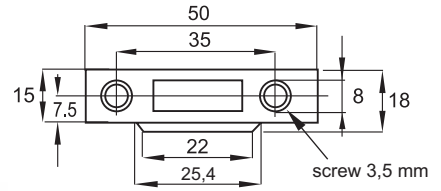
- 12 pcs per box
- 240 pcs per export carton

Item No.:

14.01.481



STRIKER PLATE



SLAM LOCK NO. 856N "Millennium"

Application:

Hotel mini bars, tills, drawers, wardrobes and cabinets

Accessories for one set:

- 1 lock
- 1 rosette
- 1 striking plate
- 2 SISO car keys
- 3 mounting screws

Function:

Spring loaded tongue allows doors and drawers to push lock automatically

Specification:

Zamak lock body & cylinder
Steel rosette & keys
400 key combinations
Steel rosette, keys, striker & screws
Drawer version. Left & right hand version available on request
Master Key system available on request

Finish:

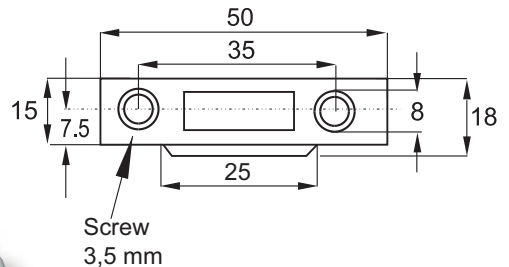
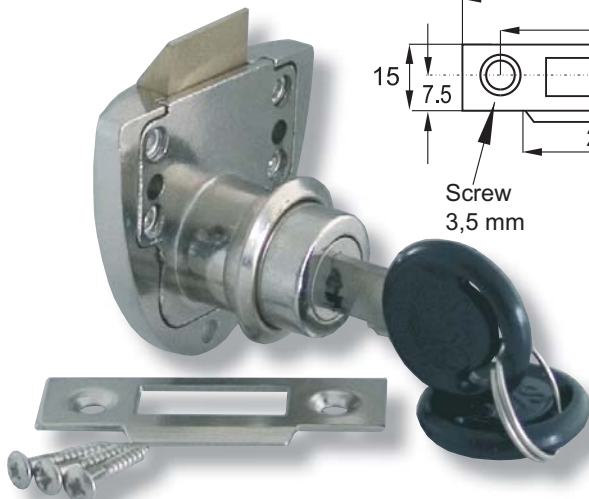
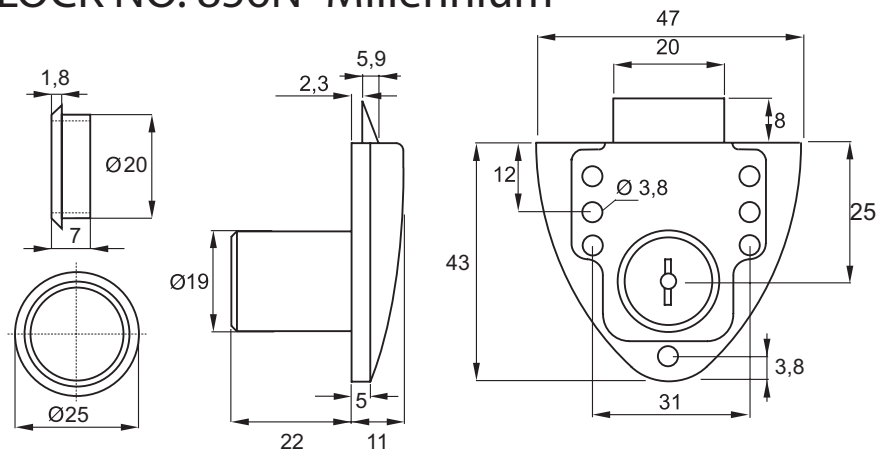
Nickel plated

Packing:

- 12 pcs per box
- 240 pcs per export carton

Item No.:

14.01.482



Application:

Hotel mini bars, tills, drawers, wardrobes and cabinets

Accessories for one set:

- 1 lock
- 1 rosette
- 2 neutral car keys

Function:

Spring loaded tongue allows doors and drawers to push lock automatically

Specification:

Zamak lock body & cylinder
Steel rosette & keys
500 key combinations
Drawer version. Left & right hand version available on request
Master key & Interchangeable system available on request

Finish:

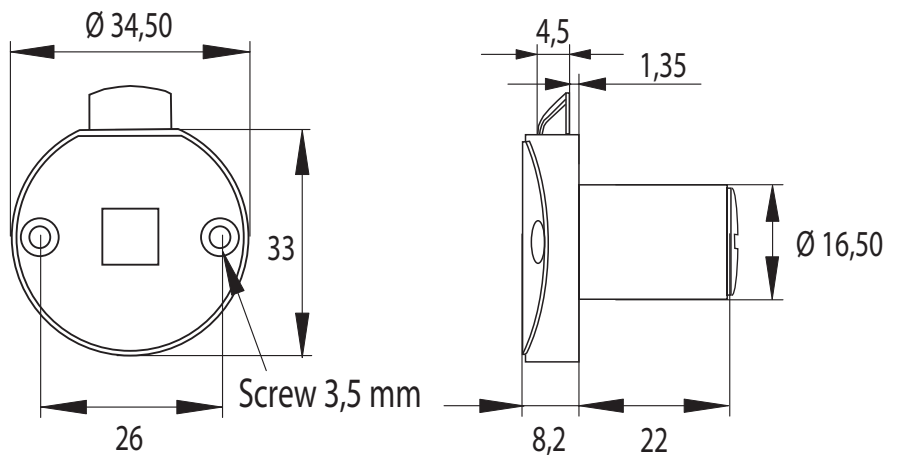
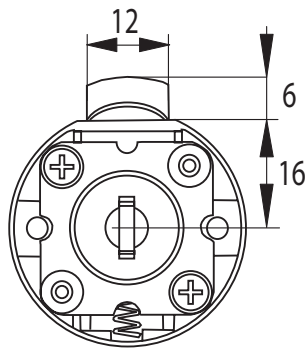
- Nickel plated
- Others upon request

Packing:

- 12 pcs per box
- 240 pcs per export carton

Item No.:

- Lock # 14.01.495
- Master key # 14.04.122
- Interchangeable key # 14.01.132



ROLL BLIND LOCK NO. 2159

Application:

Roller shutter doors vertical or horizontal sliding doors

Accessories for one set:

- 1 lock
- 1 rosette
- 1 flat striking plate
- 2 SISO car keys

Function:

To open turn key 30°
Spring loaded hooks allow automatic push locking

Specification:

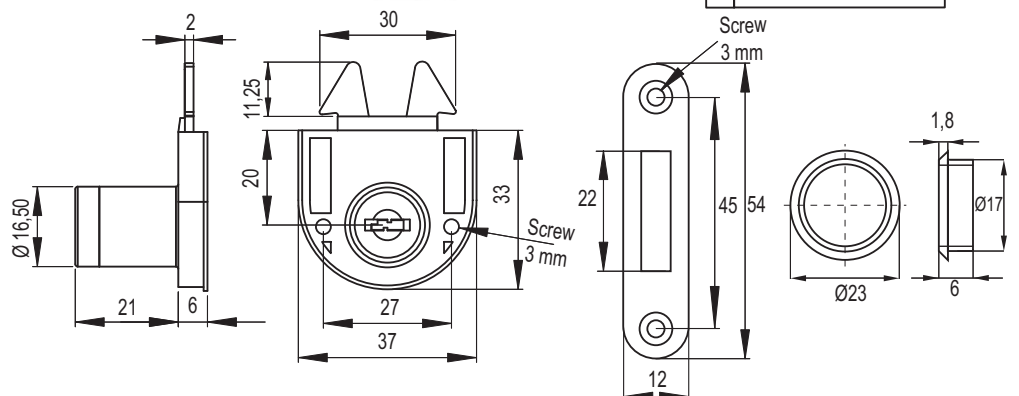
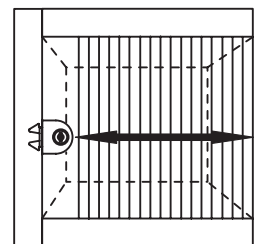
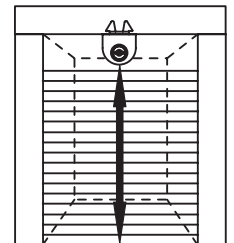
Lock body - black plastic
Zamak cylinder - nickel plated
Steel rosette,striker & keys
200 key combinations
Master Key system available on request

Packing:

- 25 pcs per box
- 250 pcs per export carton

Item No.:

- Key to differ (KD) # 14.01.470
- KD w/master key # 14.01.471



Application:

Roller shutter doors vertical or horizontal sliding doors

Accessories for one set:

- 1 lock
- 1 Rosette
- 1 flat striking plate
- 2 SISO car keys

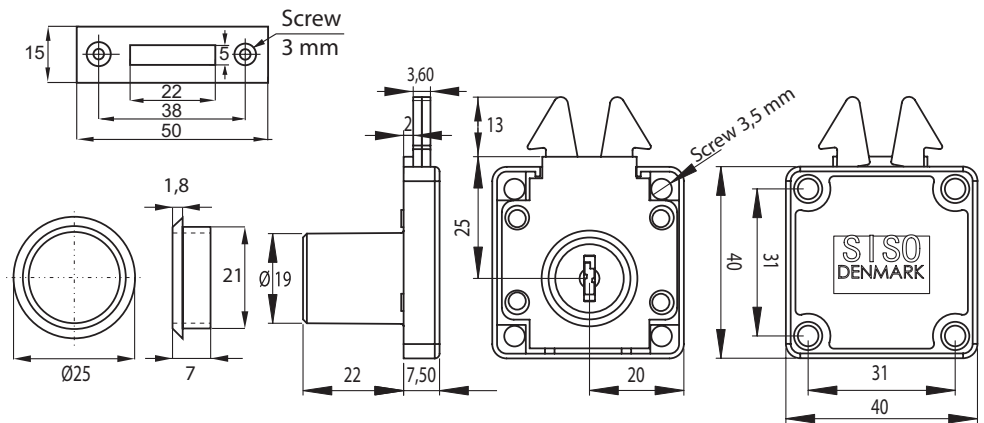
Function:

To open turn key 30°
Spring loaded hooks allow automatic push locking

Specifications:

Zamak body & cylinder
Steel rosette, striker & keys
Cylinder diameter: \varnothing 16,5 or \varnothing 19 mm
Cylinder length: 22 or 32 mm
400 key combinations or key alike
Master key & interchangeable system available on request

Item No.: # 14.01.410 ect.



RAISED STRIKING PLATE F/LOCK 855

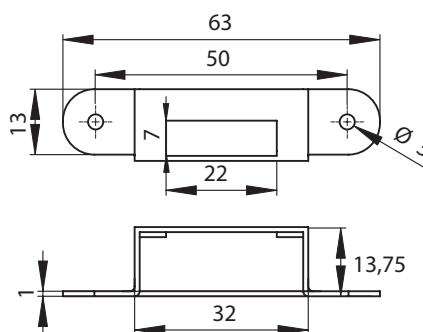
Application:

Raised striker for more security
No cutting in panel necessary
Easy installation

Material:

Steel - nickel plated

Item No.: # 14.01.500



Application:

Vertical roller shutter doors
& sliding doors

Accessories one set:

- 1 lock
- 1 black plastic striking plate
- 1 rosette
- 2 neutral car keys

Function:

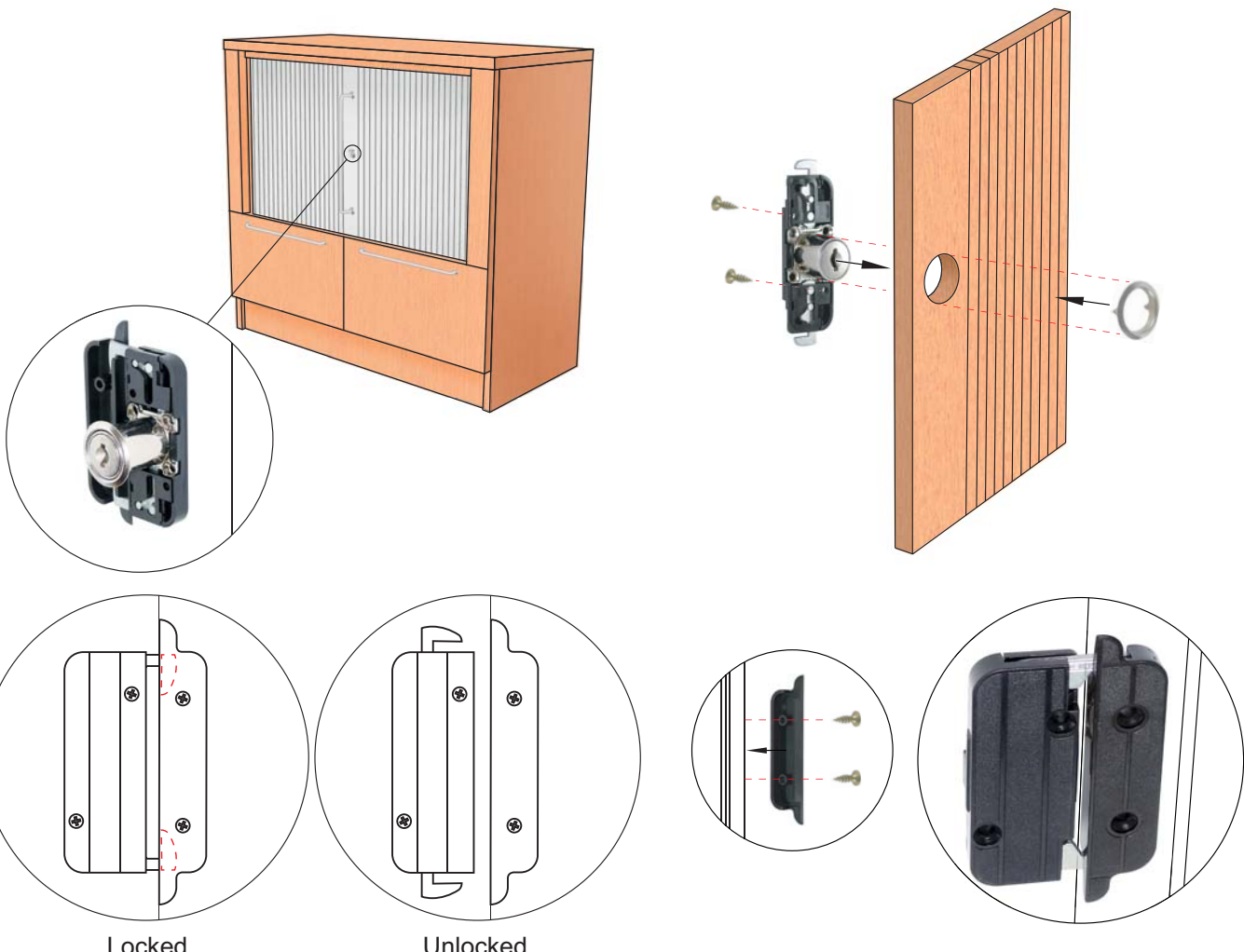
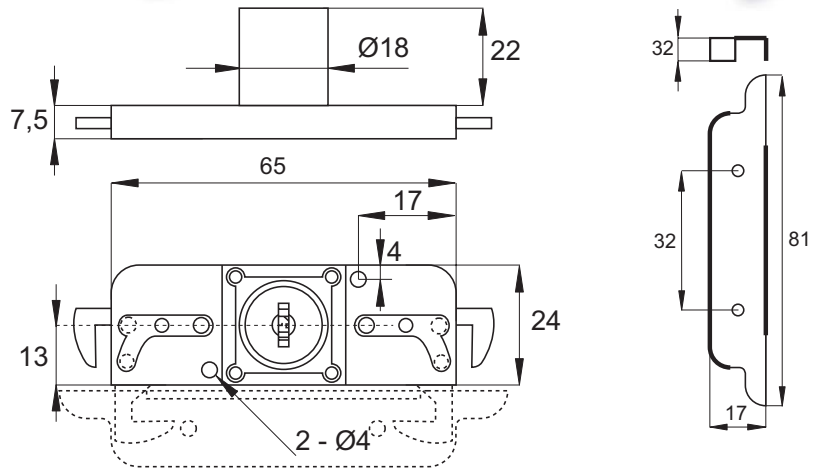
Turn key 180° and 2 hooks will
move out from the lock body
anchoring into the enclosed striker

Specification:

Lock body: black nylon
Zamak cylinder & hooks
Cylinder \varnothing 18 mm
Cylinder length 22 mm
400 key combinations or key alike
Master key & Interchangeable
system available on request

Item No.:

- Lock # 14.01.400
- Master key # 14.04.122
- Interchangeable key # 14.04.132



Locked

Unlocked

ROLLER SHUTTER/SLIDING DOOR LOCK W/METAL STRIKER MODEL "VERTI"



Application:

Vertical roller shutter doors
& sliding doors

Accessories one set:

- 1 lock
- 1 steel nickel plated striking plate
- 1 rosette
- 2 neutral car keys

Function:

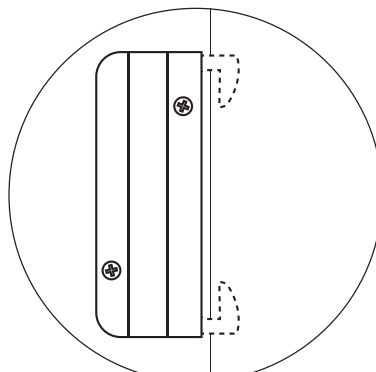
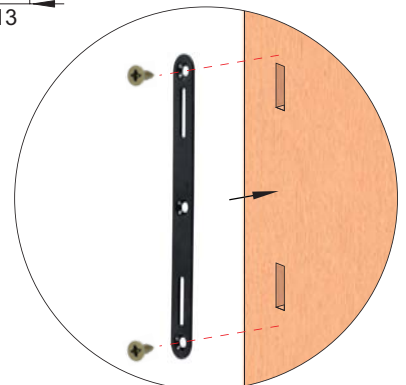
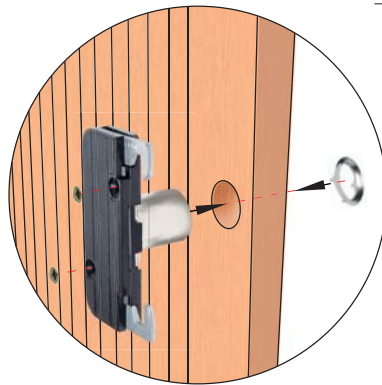
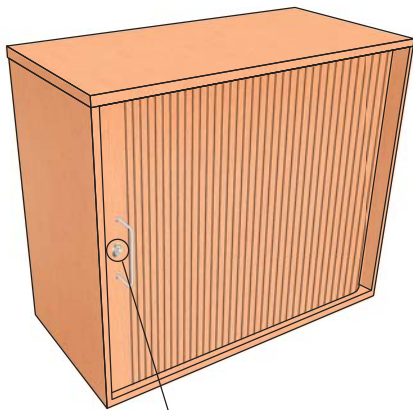
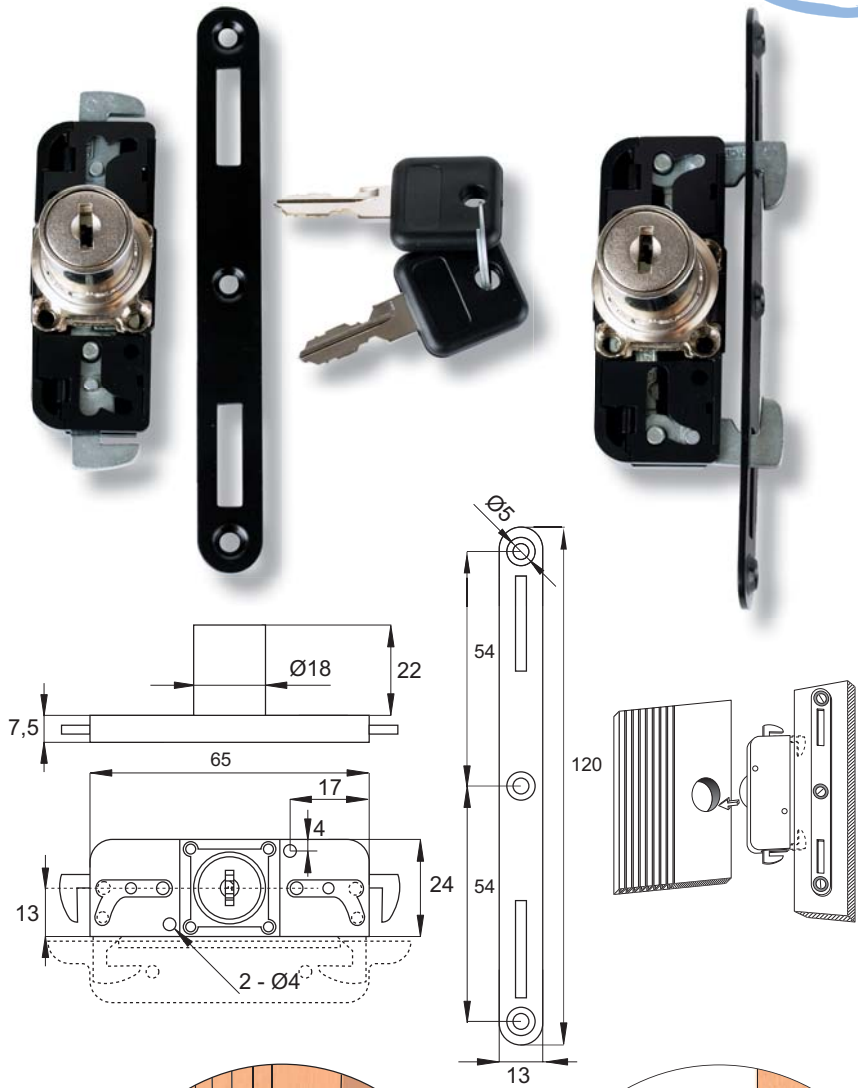
Turn key 180° and 2 hooks will move out from the lock body anchoring into the enclosed striker

Specification:

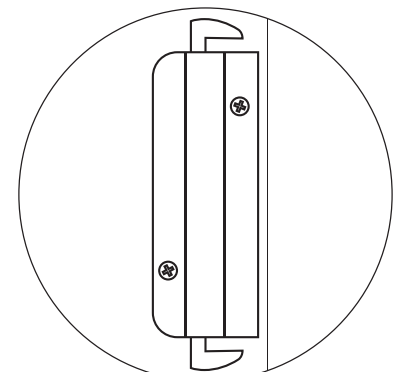
Lock body: black nylon
Zamak cylinder & hooks
Cylinder ø18 mm
Cylinder length 22 mm or 32 mm
400 key combinations or key alike
Master key & Interchangeable system available on request

Item No.:

- Lock ø18 x 22 mm # 14.01.405
- Lock ø18 x 32 mm # 14.01.408
- Master key # 14.04.122
- Interchangeable key # 14.04.132



Locked



Unlocked

Application:
Flap doors

Accessories:
1 lock
1 rosette
1 striking plate
2 metal keys

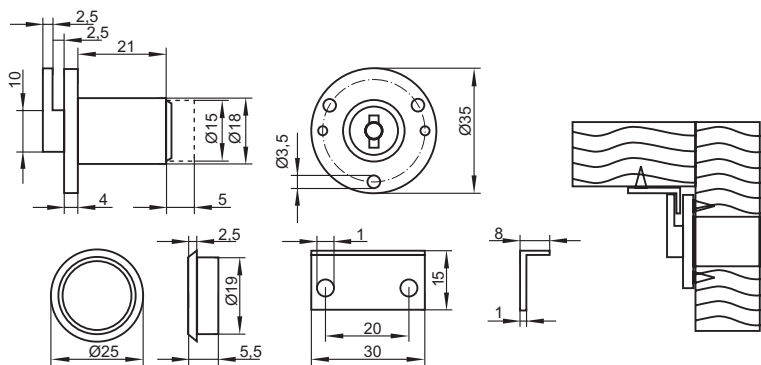
Function:
To close: push cylinder and turn key
To open: turn key
Key removable in locked position only

Specification:
Plastic lock body
Steel cylinder, striker, cam, rosette & keys
Key alike only

Finish:
Brown Body - Brass plated cylinder

Packing:
12 pcs per box
300 pcs per export carton

Item No.: # 14.07.120



FLAP LOCK NO. 9411, ALL METAL

Application:
Flap doors

Accessories:
1 lock
1 rosette
1 striking plate
2 SISO car keys

Function:
To close: push cylinder and turn key
To open: turn key

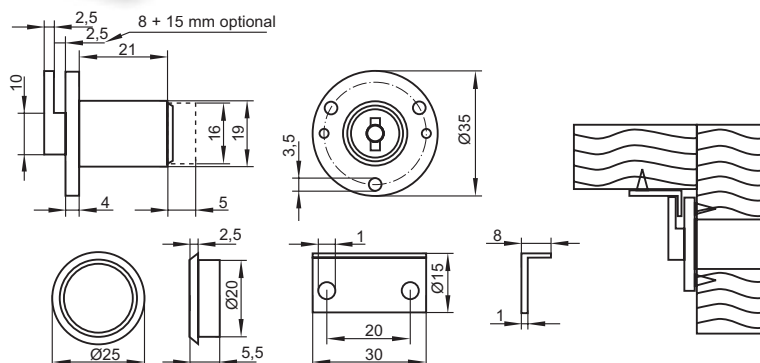
Key removable in locked and unlocked position

Specification:
Zamak lock body & cylinder
Steel rosette,striker & keys
400 key combinations
Master Key system available on request

Finish:
Nickel plated
Brass plated
Bronze plated

Packing:
12 pcs per box
300 pcs per export carton

Item No.: # 14.07.104



CAM LOCK NO. 5250



Application:

Drawers, wardrobe, cabinets, universal for many diff. purposes ONE WING TYPE mainly applied for shutter doors

Accessories for one set:

- 1 lock
- 1 rosette
- 2 SISO car keys or metal keys

Option:

19 mm cylinder diam and many other different cam types available upon request
Other rotation angle

Specification:

Zamak lock body & cylinder
Steel rosette, cam & keys
400 key combinations
Master Key system available on request

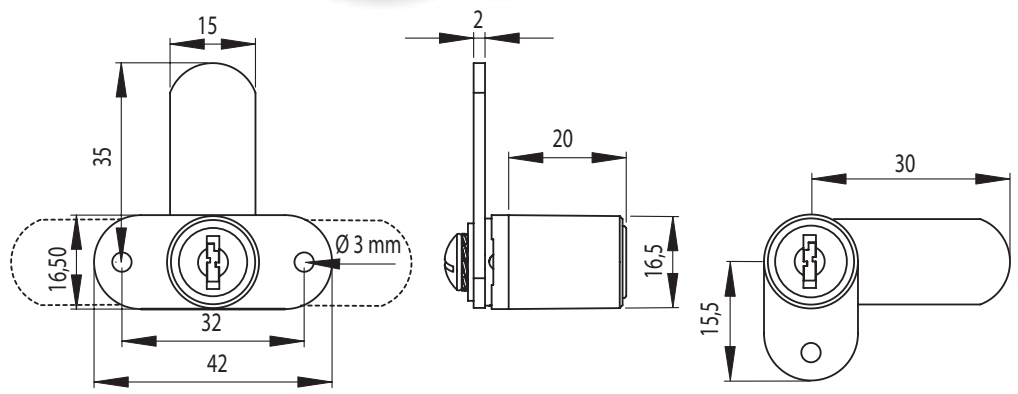
Finish:

Nickel plated
Others upon request

Packing:

12 pcs per box
240 pcs per export carton

Item No.: # 14.04.605 etc.



PUSH AND TURN LOCK NO. 919

Application:

Heavy duty sliding doors
Flap doors

Accessories for one set:

- 1 lock
- 1 rosette
- 1 striking plate
- 2 SISO car keys

Function:

To lock push cylinder and turn key to allow cam enter back door
Key removable in locked and unlocked position

Specification:

Zamak lock body & cylinder
Steel rosette,striker & keys
Cylinder diam. 19 mm
Cylinder lenght 24 mm
400 different key combinations
Master Key system available on request

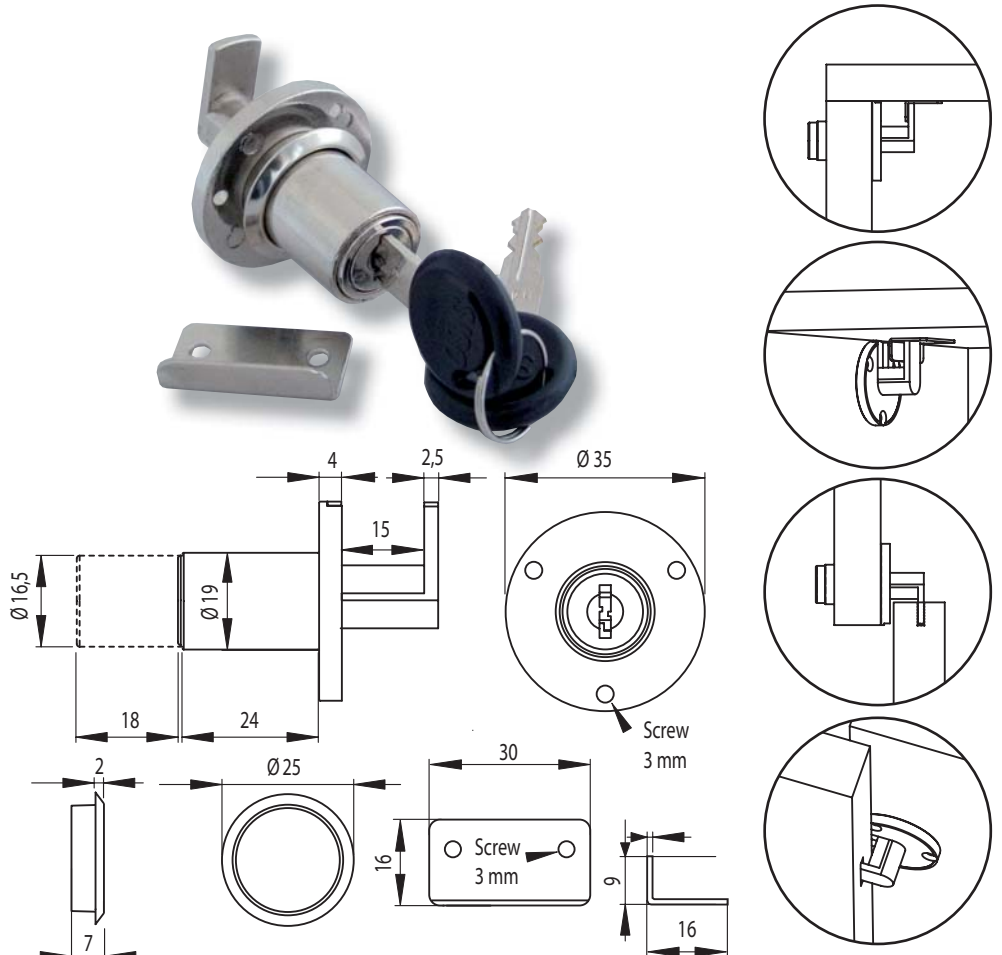
Finish:

Nickel plated
Other finishes upon request

Packing:

30 pcs per box
300 pcs per export carton

Item No.: # 14.03.004 etc.



Accessories for one set:

- 1 lock
- 1 hex nut or 1 snap on clip
- 2 SISO metal keys
- 1 cam
- 1 transparent plastic washer

Specification:

Zamak lock body & cylinder
Steel hex nut, cam & keys
50 key combinations or key alike
90° turn

Option:

Other cam style/sizes
Other rotation angle

Finish:

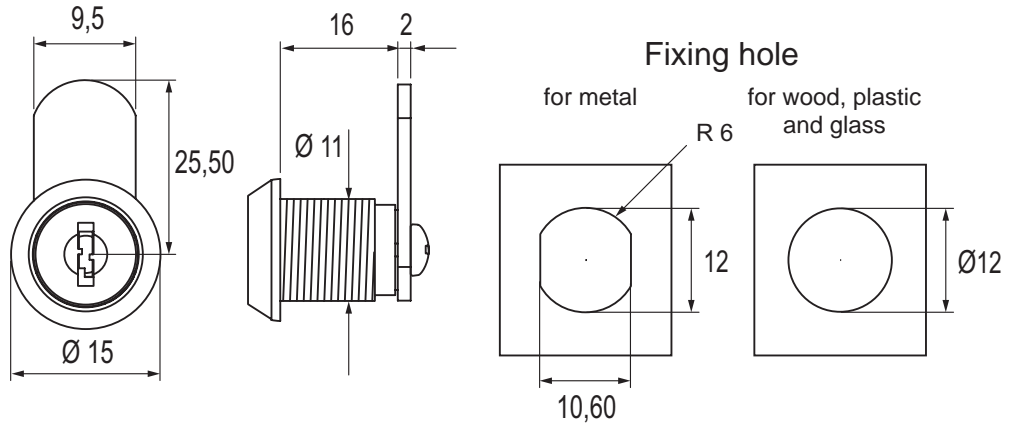
Chrome plated
Others upon request

Packing:

100 pcs per box
500 pcs per export carton

Item No.:

Key to differ # 14.04.426
Key alike # 14.04.425



CAM LOCK Ø17 X 9,5 MM

Accessories for one set:

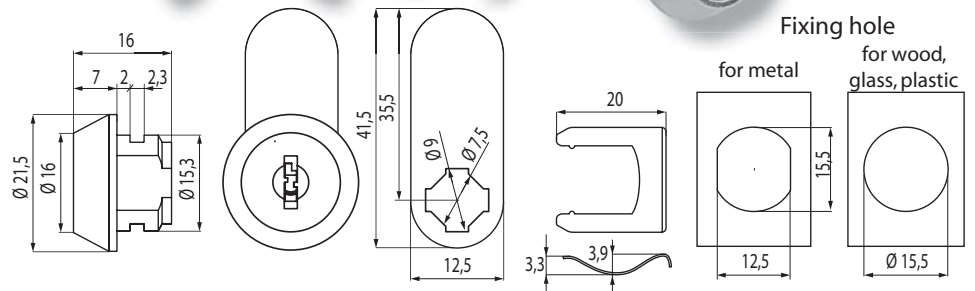
- 1 cylinder ø 17 x 9,5 mm
- 1 spring clip
- 1 cam plate ce.: 35,5 mm
- 2 SISO metal keys

Specifications:

Zamak lock body & cylinder
Steel spring clip, cam plate & keys
90° turn, Chrome plated

Item No.:

14.08.110



CAM LOCK NO. 1911

Accessories for one set:

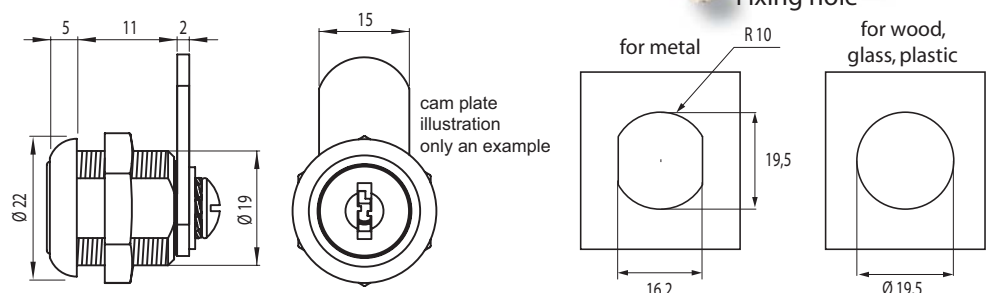
- 1 lock
- 1 hex nut
- 1 cam plate No. 7 spun on to lock body
- 2 SISO car keys

Specifications:

Zamak body, cap, cylinder & hex nut
Steel cam & keys
Cylinder size: ø19 x 11 mm
400 key combinations or key alike
180° turn

Item No.:

14.04.430 ect.



CAM LOCK W/DOME SS-304 CAP

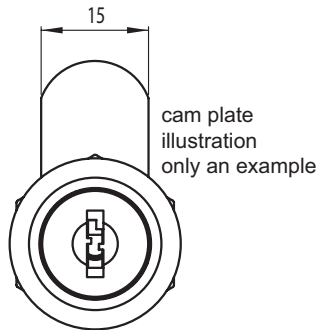
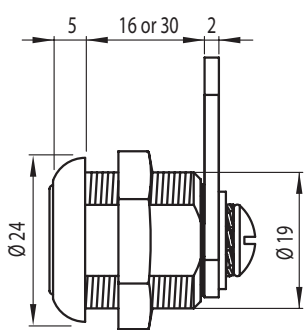
Accessories for one set:

- 1 lock
- 1 hex nut
- 1 cam plate
- 2 transparent washers
- 2 SISO car keys

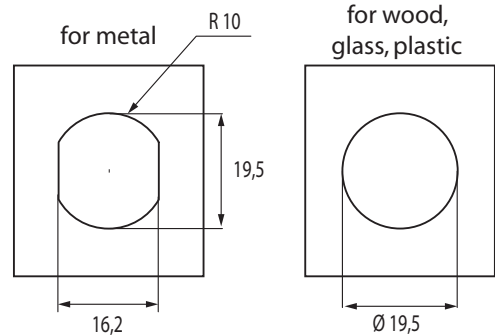
Specifications:

Zamak body, cylinder & hex nut
 Cap in stainless steel
 Steel cam & keys
 Transparent PVC washer for glass fixing
 Cylinder size: $\varnothing 19 \times 16$ or $\varnothing 19 \times 30$ mm
 400 key combinations or key alike
 90 or 180° turn
 Various cam plate styles/sizes

Item No.: # 14.04.470 ect.



Fixing hole



CAM LOCK W/CONICAL ZAMAK CAP

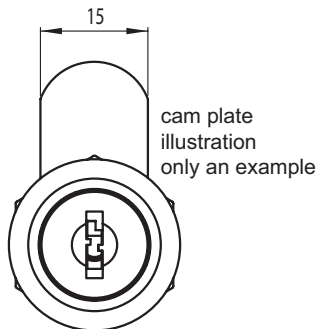
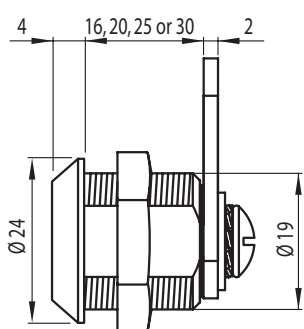
Accessories for one set:

- 1 lock
- 1 hex nut
- 1 cam plate
- 2 transparent washers
- 2 SISO car keys

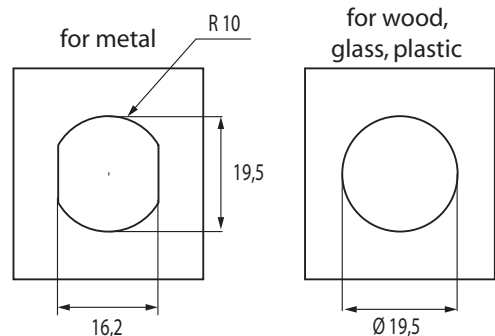
Specifications:

Zamak body, cap, cylinder & hex nut
 Steel cam & keys
 Transparent PVC washer for glass fixing
 Cylinder size: $\varnothing 19 \times 16$, $\varnothing 19 \times 20$, $\varnothing 19 \times 25$ or $\varnothing 19 \times 30$ mm
 90 or 180° turn
 Various cam plate styles/sizes
 400 key combinations or key alike
 Master key & interchangeable system available on request

Item No.: # 14.04.461 ect.



Fixing hole



Accessories for one set:

- 1 lock
- 1 hex nut
- 1 cam plate
- 1 spike washer
- 2 transparent washers
- 2 "CPH" metal car keys

Specifications:

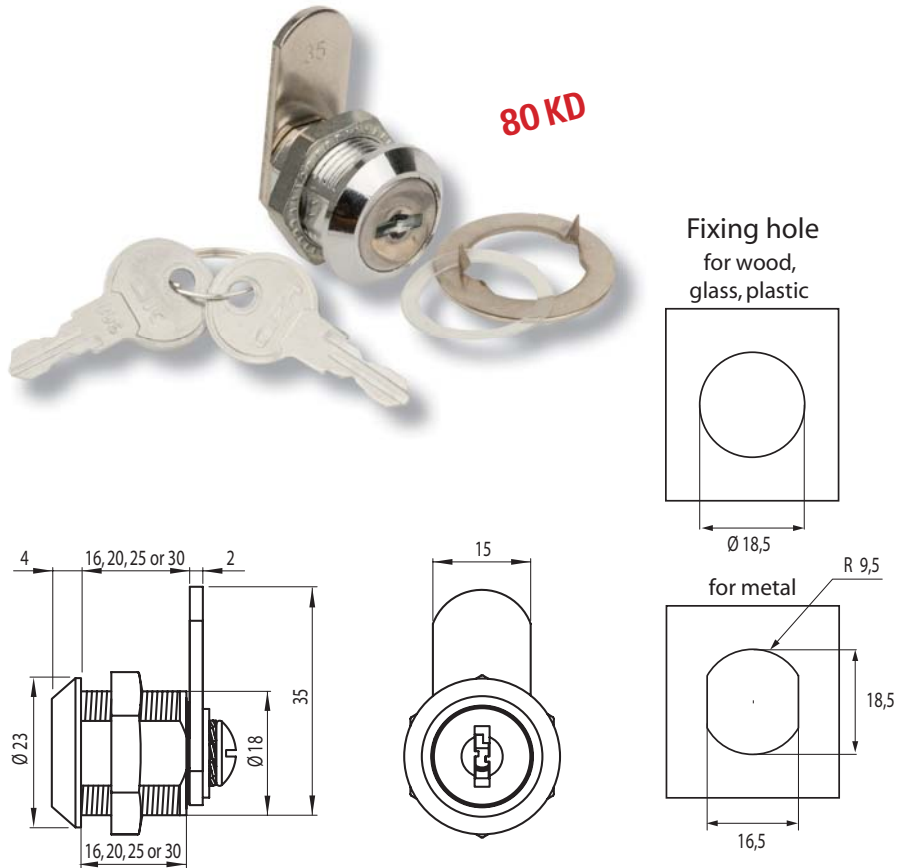
Zamak lock body, cylinder & hex nut
 Steel rosette, cam plate, spike washer & keys
 Transparent washers in PVC
 Cylinder size: $\varnothing 18 \times 16, 20, 25$ or 30 mm
 90° turn
 80 key combinations

Finish:

Chrome plated

Item No.:

- $\varnothing 18 \times 16$ mm # 14.04.468-5
- $\varnothing 18 \times 20$ mm # 14.04.485-5
- $\varnothing 18 \times 25$ mm # 14.04.492-0
- $\varnothing 18 \times 30$ mm # 14.04.502-0



CAM LOCK 1920 W/TRIANGULAR BIT KEY

Accessories for one set:

- 1 cylinder $\varnothing 19 \times 20$ mm
- 1 hex nut
- 1 cam plate no. 9
- 1 zamak bit key

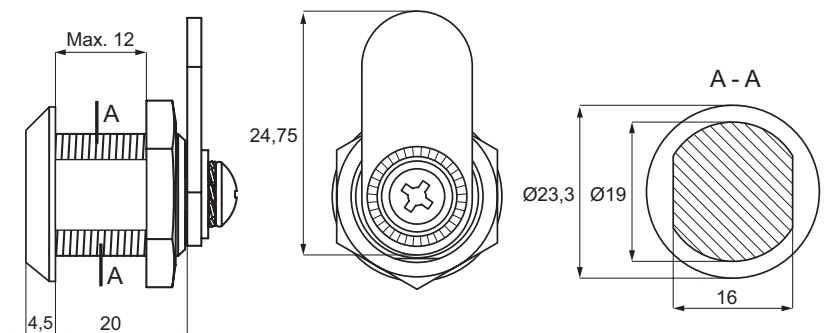
Specifications:

Cylinder and key made of zamak - CPL
 Cam made of steel.
 Hex nut made of zamak
 90° turn
 Activated by pushing in the bit key

Item No.: # 14.04.483

Extra zamak bit key:

Item No.: # 14.04.140



CAM LOCK 1920 W/SQUARE BIT KEY

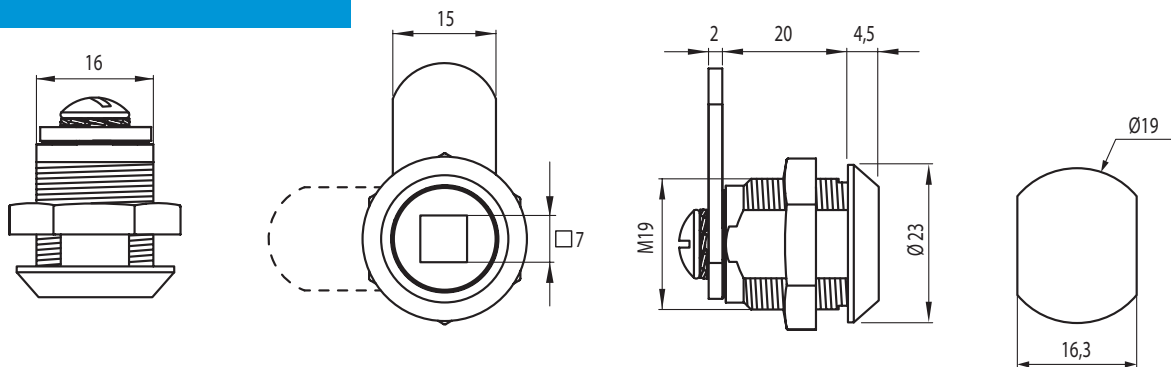
Accessories for one set:

- 1 cylinder \varnothing 19 x 20 mm
- 1 hex nut
- 1 cam plate No. A01
- 1 spike washer
- 2 transparent washers
- 1 zamak bit key

Specifications:

- Zamak lock body, cylinder & key
- Steel spike washer & cam plate
- Transparent washers in PVC
- 90° turn, Chrome plated
- Activated by pushing in the bit key

Item No.: # 14.04.481



CAM LOCK 1920 W/TURN KNOB

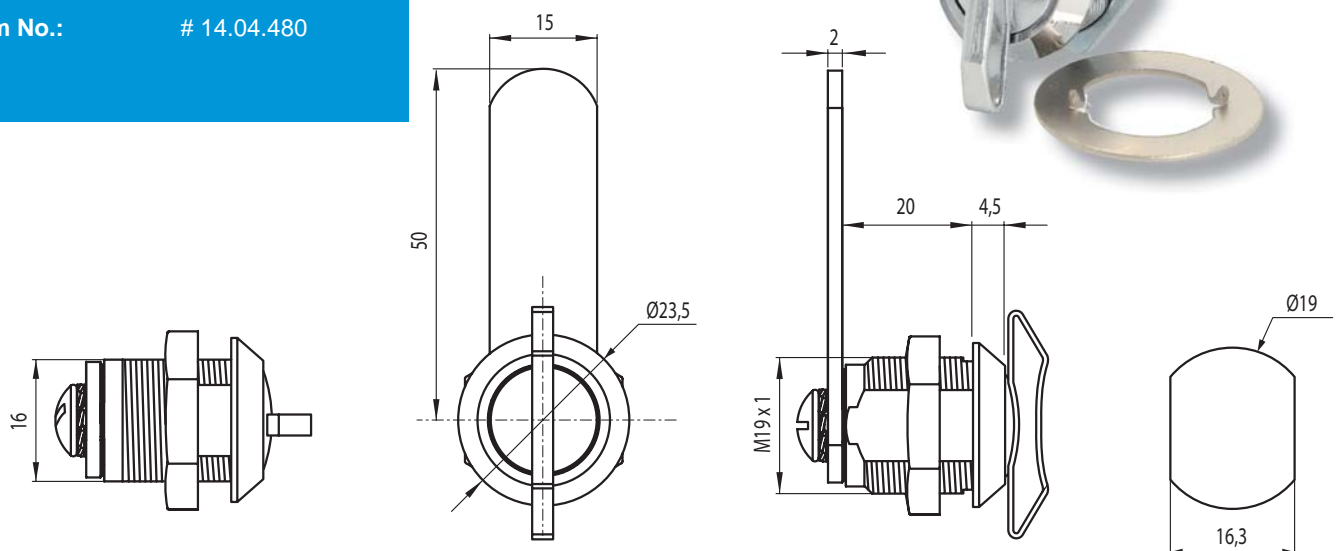
Accessories for one set:

- 1 cylinder \varnothing 19 x 20 mm
- 1 hex nut
- 1 cam plate No. A06
- 1 spike washer

Specifications:

- Zamak lock body, cylinder & knob
- Steel spike washer & cam plate
- 90° turn, Chrome plated

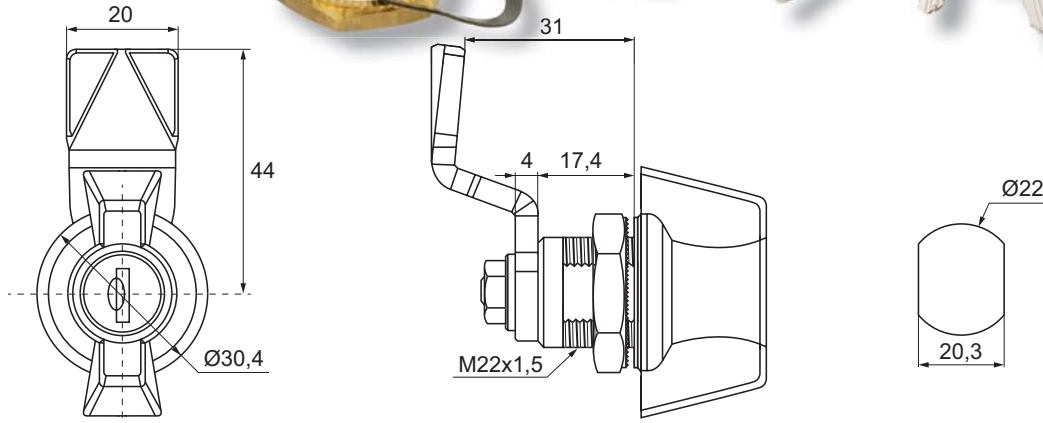
Item No.: # 14.04.480



Cam Lock "Biggi"

Ø20x18mm, CPL,
W/Dust Cover,
W/15mm Cranked Cam, ce:45mm,
W/Black Washer & Brass Hex Nut,
W/5 Car Keys W/Biggi Logo

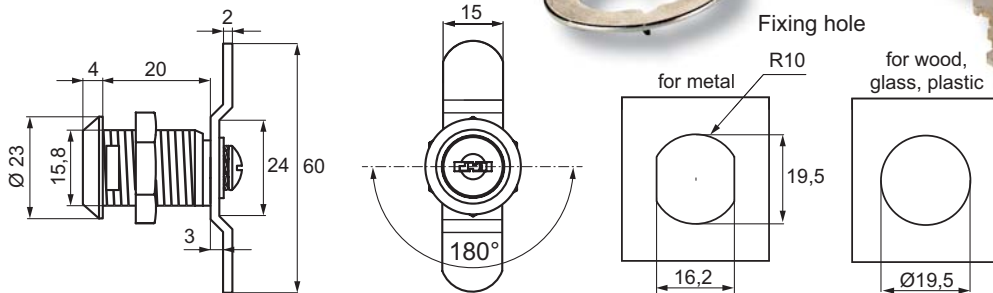
Item No.: #14.08.125



Cashier Desk Lock M-1920

180° rotation 2 stops
at 90° and 180°

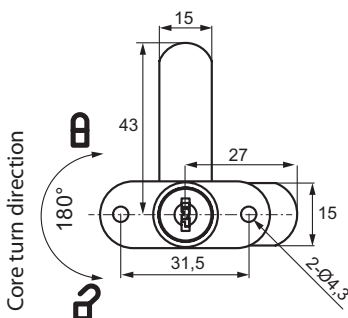
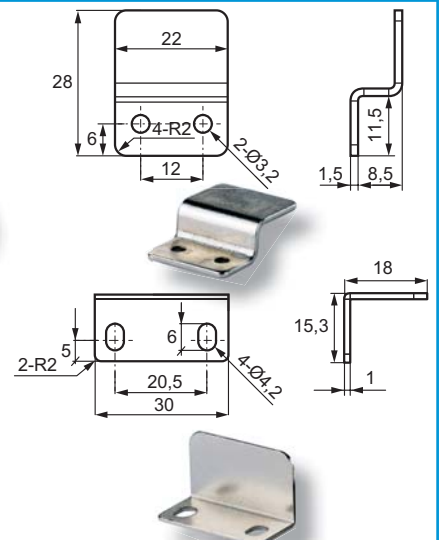
Item No.: # 14.04.487



Universal cam lock 5250

Cylinder: ø16,5 x 20 mm
Double cam No. 145
Incl. 2 different strikers

Item No.: # 14.04.630

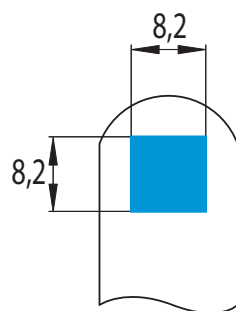


STRAIGHT CAM PLATE	CODE	L
	A01	25
	A02	30
	A03	35
	A04	40
	A05	45
	A06	50

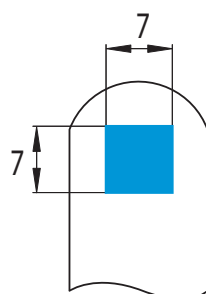
HOOK TYPE CAM PLATE	CODE	L
	A07	25
	A08	30
	A09	40
	A10	50

OFFSET CAM PLATE			CODE	L	H	CODE	L	H	CODE	L	H
	A21	25	2	A31	25	3	A41	25	4		
	A22	30	2	A32	30	3	A42	30	4		
	A23	35	2	A33	35	3	A43	35	4		
	A24	40	2	A34	40	3	A44	40	4		
	A25	45	2	A35	45	3	A45	45	4		
	A26	50	2	A36	50	3	A46	50	4		

OFFSET CAM PLATE			CODE	L	H	CODE	L	H	CODE	L	H
	A51	25	5	A61	25	6	A71	25	7		
	A52	30	5	A62	30	6	A72	30	7		
	A53	35	5	A63	35	6	A73	35	7		
	A54	40	5	A64	40	6	A74	40	7		
	A55	45	5	A65	45	6	A75	45	7		
	A56	50	5	A66	50	6	A76	50	7		



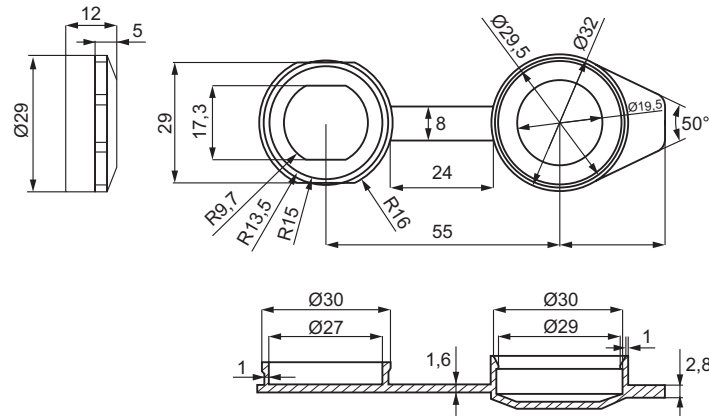
FOR CAM LOCK 1900 & 5250 SERIES



FOR CAM LOCK MIC 1900 SERIES

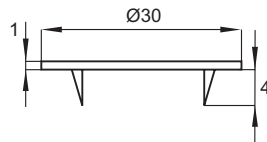
Plastic Cover Cap
Black PE material

Item No.: # 14.04.560



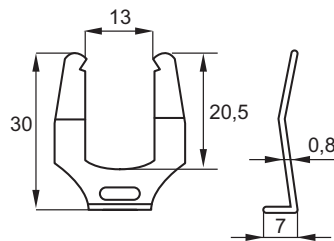
Spike Washer
Steel nickel plated

Item No.: # 14.04.307



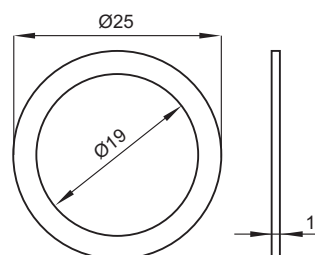
Spring Clip
Steel nickel plated

Item No.: # 14.04.308



Plastic Washer
Transparent PVC

Item No.: # 14.09.340



PUSH LOCK NO. 1003



Application:
Sliding doors

Accessories for one set:
1 lock
1 rosette
2 SISO car keys

Function:
To open: turn key
To close: push cylinder
Special model available security action i.e. lock can not be pushed/closed out inserting and turning the key

Specification:
Zamak lock body & cylinder
Steel rosette & keys
Cylinder dia. 19 mm
Cylinder lengths: 23 mm
400 key combinations or key alike
Master key & Interchangeable system available on request

Option:
Striker A-1002 or 1030
Pin Extension A-1009
5, 10 or 20 mm upon request

Finish:
Nickel plated
Brass plated
Black anodized

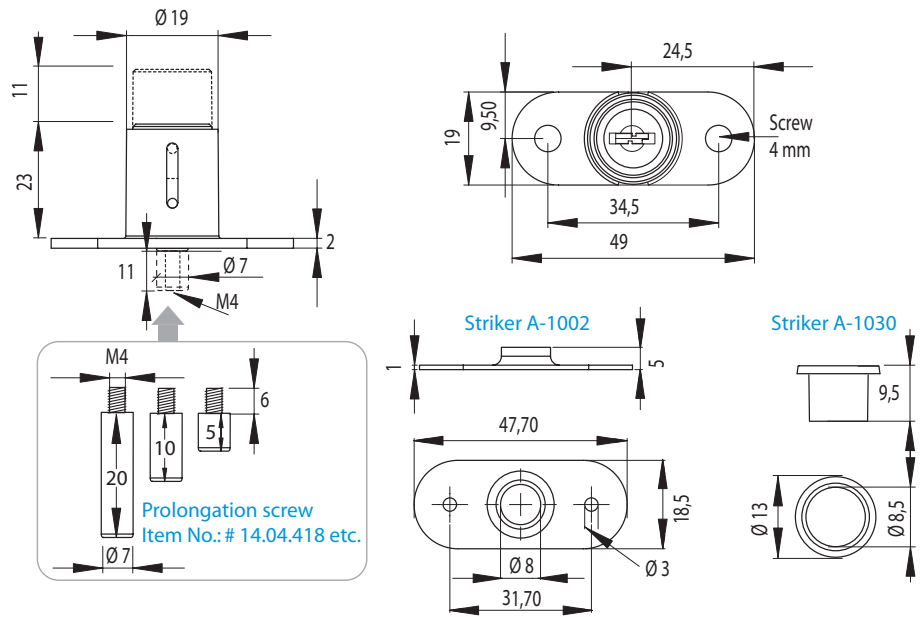
Packing:
24 pcs per box
480 pcs per export carton

Item No.: # 14.03.030 etc.



Special model available security action i.e. lock can not be pushed/closed out inserting and turning the key

Item No.: # 14.03.025



PUSH LOCK NO. T-1003

Application:
Sliding doors

Accessories for one set:
1 lock $\varnothing 22 \times 24$ mm
1 rosette
1 locking sleeve/striker
2 Tubular SISO car keys

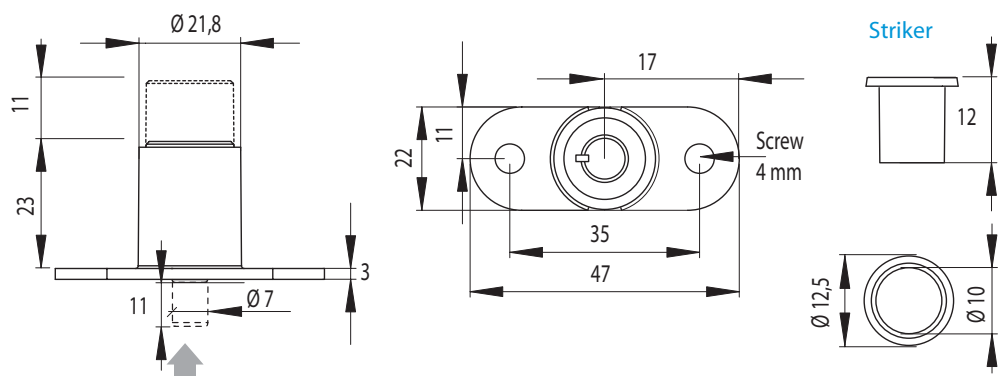
Function:
To open - turn key
Push cylinder to lock

Specification:
Zamak lock body & Cylinder
Steel rosette & locking sleeve
2000 key combinations

Finish:
Nickel plated

Packing:
10 pcs per box
200 pcs per export carton

Item No.: # 14.03.035



Application:
Sliding doors

Accessories for one set:
1 lock
1 rosette
2 SISO car keys

Function:
To open turn key
Push cylinder to lock

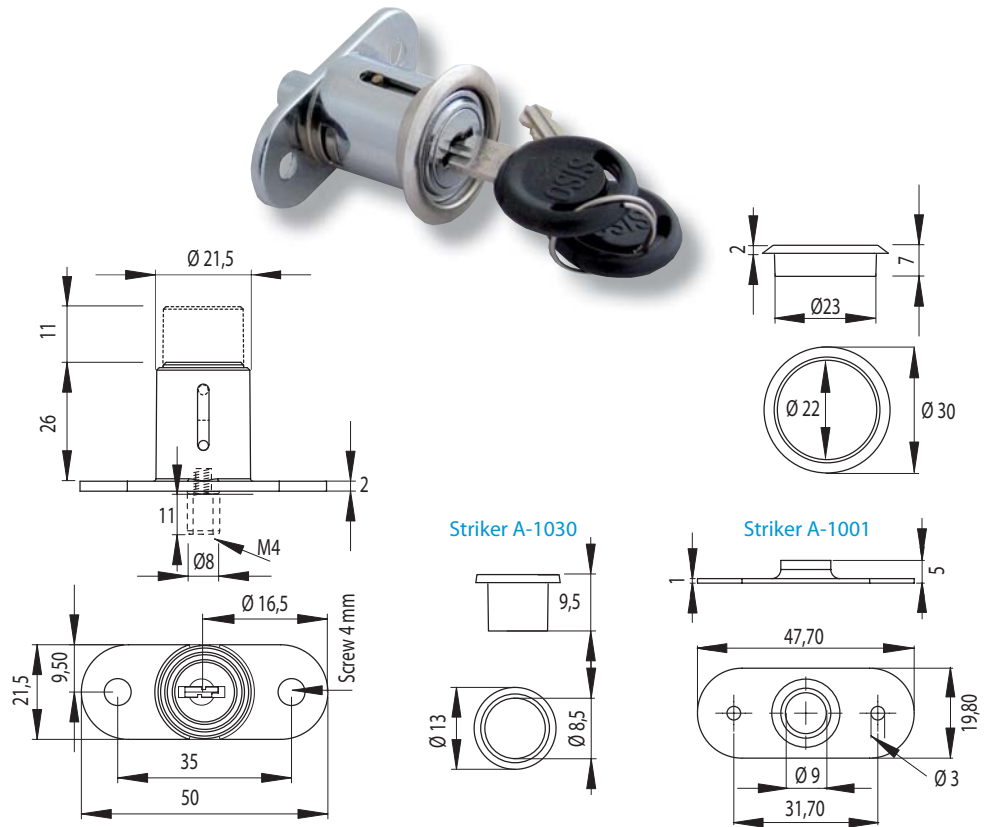
Specification:
Zamak lock body & cylinder
Steel rosette, keys & striker
Cylinder dia. 22 mm
Cylinder lengths: 26 mm
400 key combinations
Master Key system available on request

Option:
Striker A-1030 or A-1001

Finish:
Chrome plated

Packing:
24 pcs per box
480 pcs per export carton

Item No.: # 14.02.980



PUSH LOCK NO. 1003 "CPH"

Application:
Sliding doors

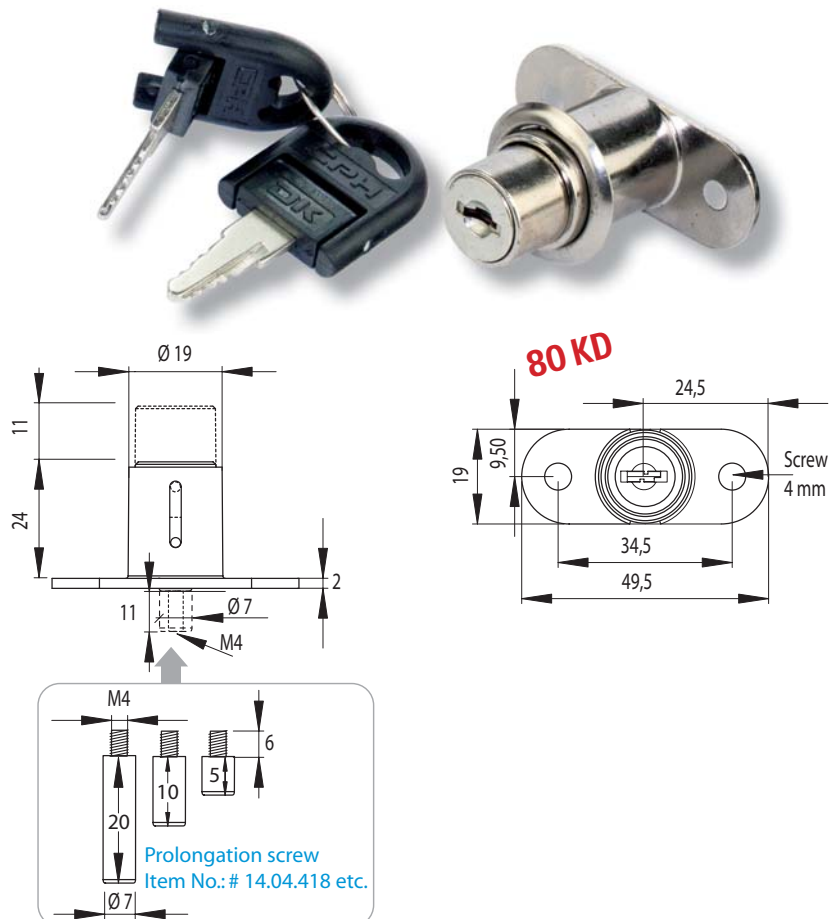
Accessories for one set:
1 lock
1 rosette
2 "CPH" hinged car keys

Function:
To open: turn key
To close: push cylinder

Specifications:
Zamak lock body & cylinder
Steel rosette & keys
Cylinder size: $\varnothing 19 \times 24$ mm
80 key combinations

Finish:
Nickel plated

Item No.: # 14.03.029



PUSH LOCK - MODEL "CARAVAN"



Material:
Plastic

Application:
Drawers, wardrobes, cabinets in
caravans + vessels + airplanes

Universal for right/left/draw application

Accessories for one set:
1 lock
1 rosette
1 push button

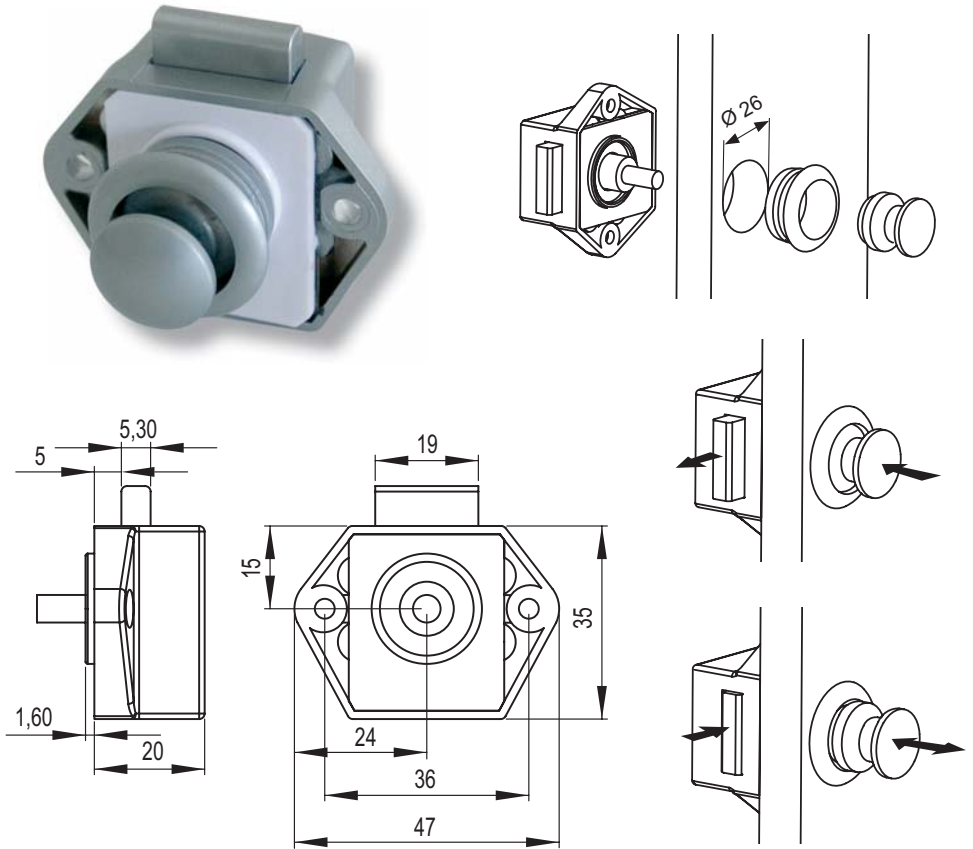
Function:
Close the door, push the knob inside
and secure the latch so door will not
open until knob is pushed out again

FOR DOOR THICKNESS 16 MM

Finish:
Silver sprayed

Packing:
100 pcs per box
500 pcs per export carton

Item No.: # 14.03.050



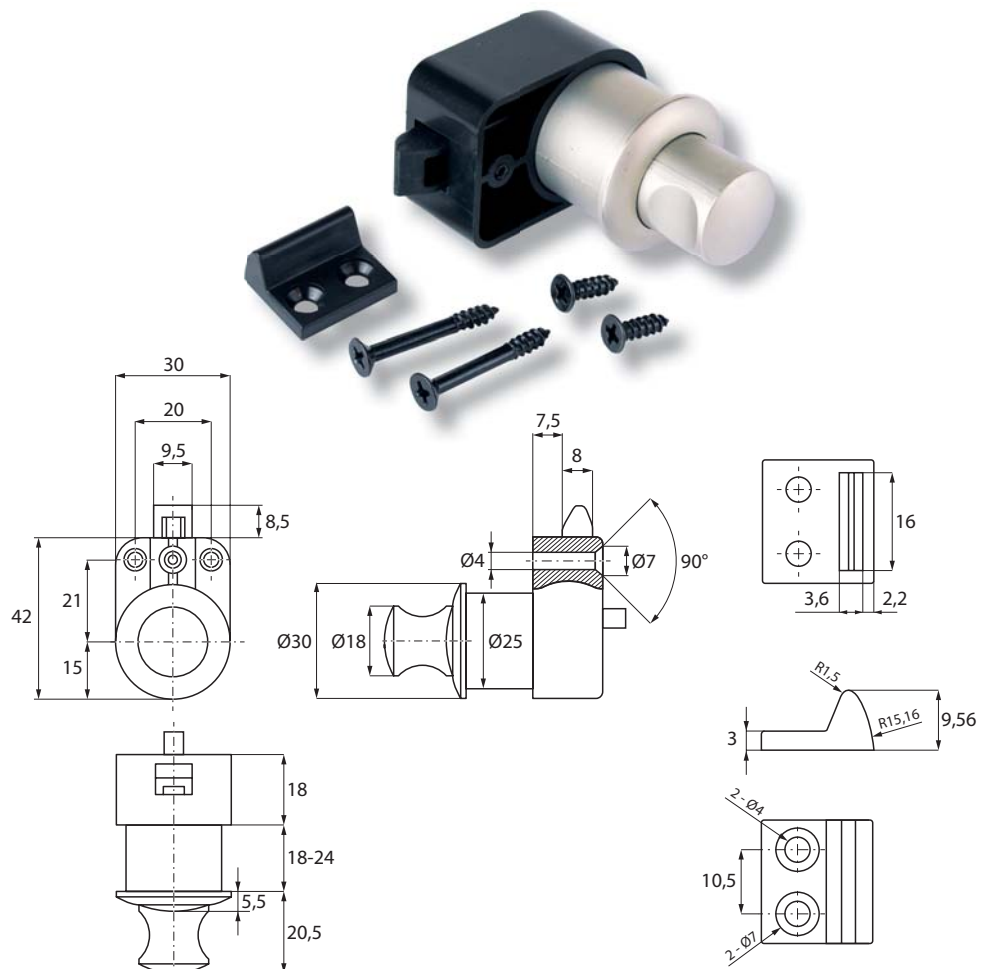
PUSH LOCK "CAMP"

Application:
For drawers, wardrobes & cabinets
in caravans, vessels, airplanes ect.

Accessories for one set:
1 lock
1 plastic striker w/fixing screws
2 screws f/panel thickness extension

Specifications:
Cylinder and knob made of zamak
Lock body made of plastic
Slam lock function
Locked by pushing the knob
Panel thickness 18 - 24 mm

Item No.:
Black/chrome plated # 14.03.055
Black/matt nickel plated # 14.03.056



Application:

Sliding doors, post boxes and other all round application

Accessories for one set:

- 1 lock
- 2 SISO car keys

Function:

To open – turn key
Push cylinder to lock

Specification:

Zamak lock body & cylinder
Steel rosette & keys
400 key combinations or key alike

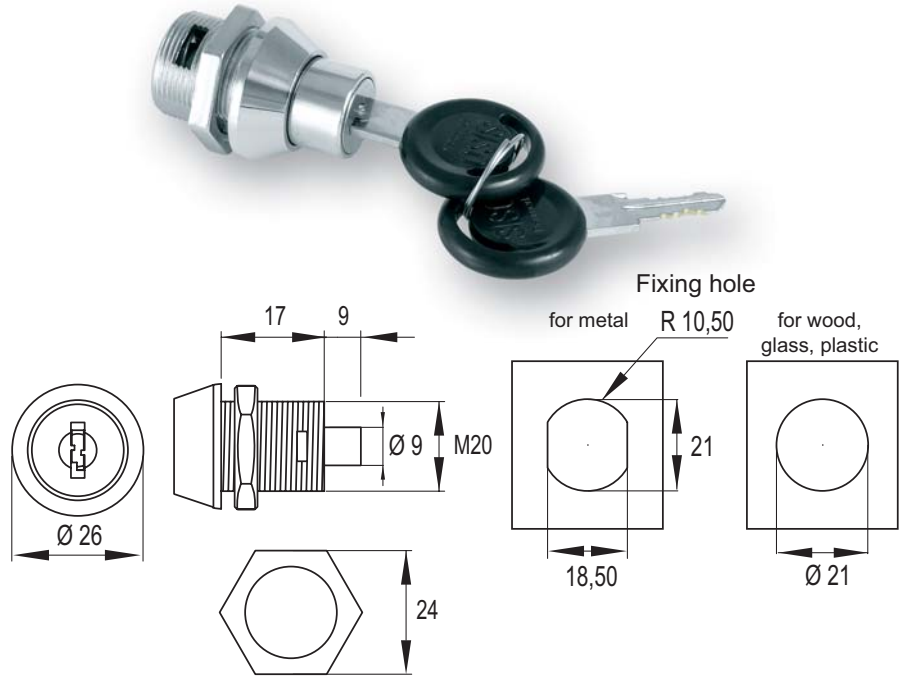
Finish:

Nickel plated

Packing:

40 pcs per box
400 pcs per export carton

Item No.: # 14.03.006



WINDOW PUSH LOCK NO. 280

Application:

Windows

Accessories for one set:

- 1 lock body
- 1 rosette
- 2 SISO car keys

Function:

To close: push the cylinder
To open: insert key & turn it

Specifications:

Zamak lock body & cylinder
Steel rosette & keys
Key alike (KA) or 400 key combinations

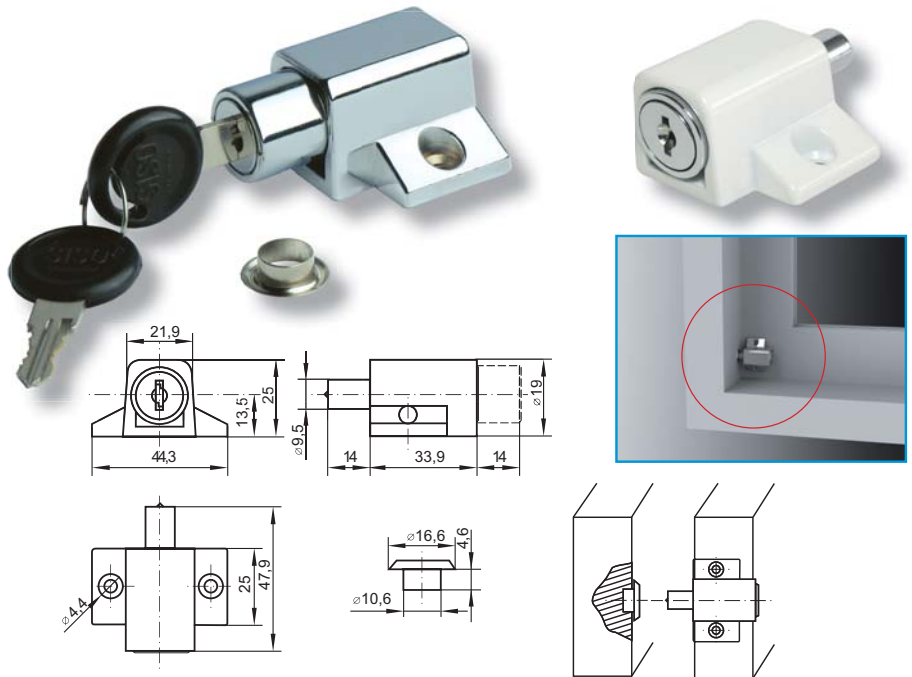
Item No.:

Matt nickel plated - KA # 14.02.997

White powder coated - KA # 14.02.999

Chrome plated - KA # 14.03.002

Chrome plated - key to dif # 14.03.001



ZAMAK STRIKER FOR LOCK NO. 280

Application:

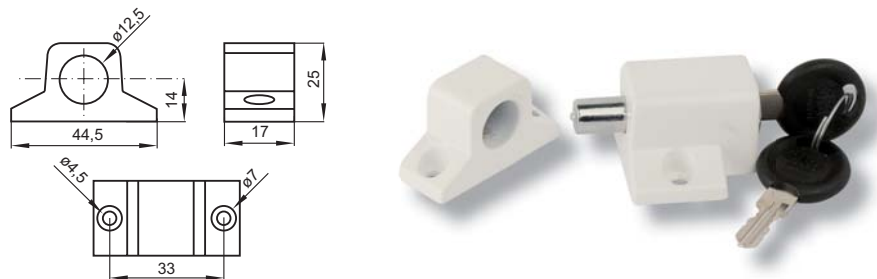
Striker for extra security

Specifications:

Zamak material
Screw-on type

Item No.:

White # 14.02.995



STEEL BUSHING FOR LOCK NO. 280

Application:

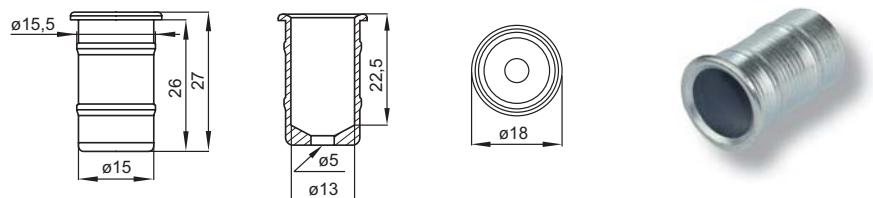
Bushing for extra security

Specifications:

Steel material
Drill: Ø 13 x 27 mm

Item No.:

Bright zinc plated # 14.02.996



Application:

For metal lockers & wooden cabinets
To be used with a padlock
Available in right & left hand version

One lock consists of:

- 1 lock cylinder
- 1 cam plate
- 1 hex nut
- 2 transparent PVC washers
- 1 spike metal washer

Specifications:

Turn knob & cylinder made of zamak
Cam, hex nut & washer made of steel
90° turn
F/Shackle size Ø5 - 7 mm - 16mm width
Chrome Pl. (CPL) or black anodized (BLK)

Packing:

20 pcs per box
200 pcs per export carton

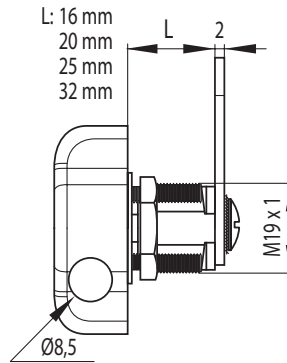
Item No.:

Right Hand version:

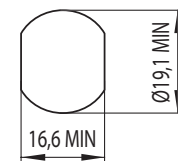
- Ø19 x 16 mm - CPL - Cam 12 # 14.04.585-0
- Ø19 x 20 mm - CPL - Cam 12 # 14.04.586-5
- Ø19 x 25 mm - CPL - Cam 12 # 14.04.587-4
- Ø19 x 25 mm - BLK - Cam 3 # 14.04.587-9
- Ø19 x 32 mm - CPL - Cam A02 # 14.04.589-5

Left Hand version:

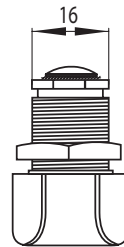
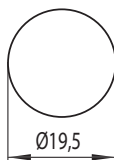
- Ø19 x 20 mm - CPL - Cam A02 # 14.04.586-9
- Ø19 x 25 mm - CPL - Cam A02 # 14.04.587-5
- Ø19 x 32 mm - CPL - Cam A02 # 14.04.589-7



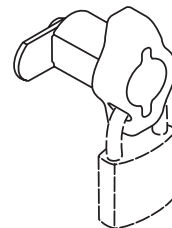
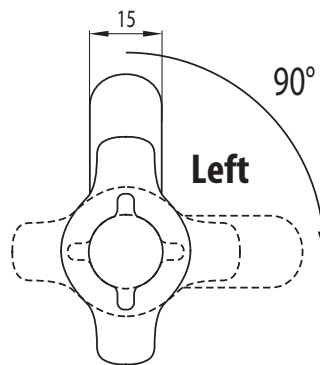
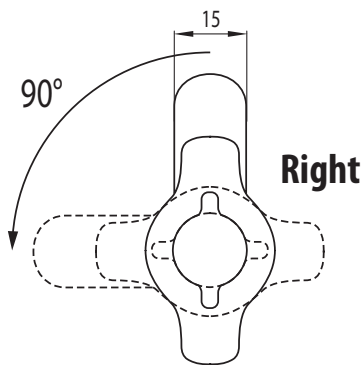
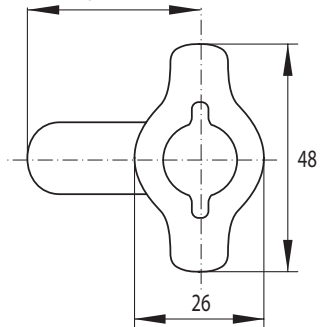
Standard fixing hole - metal



Fixing hole - wood



According to Cam model



ANTI-TWIST PLATE F/PADLOCKABLE CAM LOCKS

Application:

For metal lockers

Material:

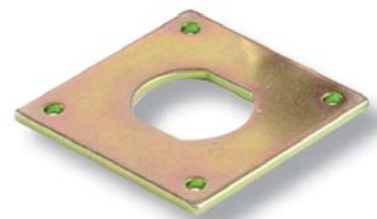
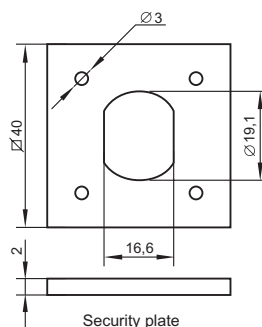
Hardened yellow zinc plated steel

Size:

40 x 40 x 2 mm

Item No.:

14.04.584



Application:

For metal lockers & cabinets.
To be used with a Padlock.

Accessories for one set:

- 1 cylinder $\varnothing 19 \times 20$ or 32 mm
- 1 cam plate ce.: $34,5 \times 2$ mm
- 1 serrated hex nut

Specifications:

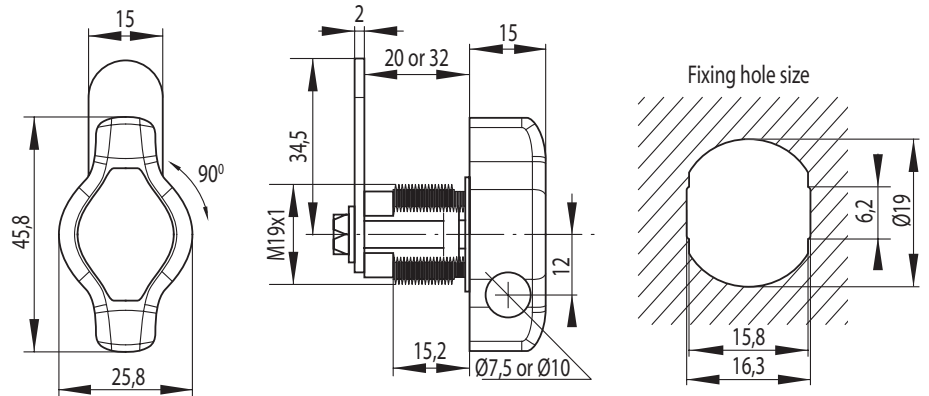
Turn knob & cylinder made of zamak.
Cam and hex nut made of steel, NPL
 90° turn. Right hand
shackle hole $\varnothing 7,5$ mm or $\varnothing 10$ mm
Chrome plated finish

Size: $\varnothing 19 \times 22$ mm

F/Shackle size $\varnothing 5 - 6$ mm. Width: min. 18 mm
S400 Item No.: # 14.04.572

Size: $\varnothing 19 \times 32$ mm

F/Shackle size $\varnothing 7 - 8$ mm. Width: min. 15 mm
L400 Item No.: # 14.04.577



PADLOCKABLE CAM LOCK NO. C901

Application:

For metal lockers & cabinets.
To be used with a padlock.

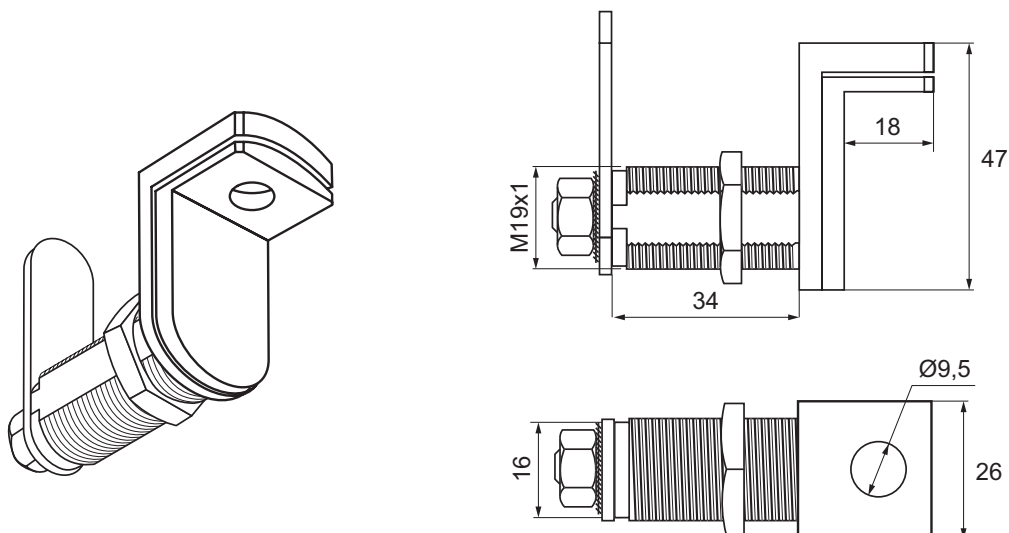
Accessories for one set:

- 1 cylinder $\varnothing 19 \times 34$ mm
- 1 hex nut
- 1 cam plate no. 9

Specifications:

Cylinder and handle made of zamak - CPL
Cam made of steel.
Hex nut made of zamak
 360° turn
Shackle hole $\varnothing 9,5$ mm

Item No.: # 14.04.590



COMBINATION PADLOCK 4-DIGITS W/MASTER KEY



Application:

For metal lockers & cabinets.
To be used with padlockable cam lock.

Accessories for one set:

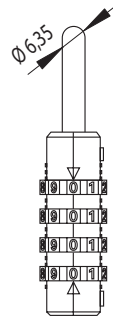
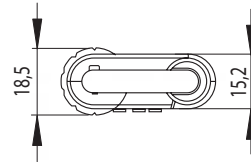
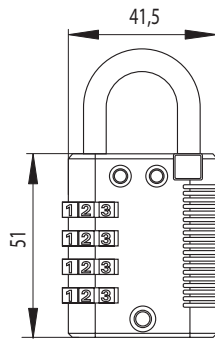
1 padlock body - 41,5 x 81,6 x 18,5 mm
(W/H/D)
1 shackle - $\varnothing 6,3$ x 32mm outer width

Specifications:

Lock body - zamak – black anodized
Shackle made of hardened steel
4 digits from 0 - 9
Pre-coded 0000. Code can be re-set.
W/master key system AP001

Item No.:

Lock # 14.04.594-0
Master key # 14.04.594-9



HIGH SECURITY PADLOCK W/MASTER KEY - 4000 KD

Specifications:

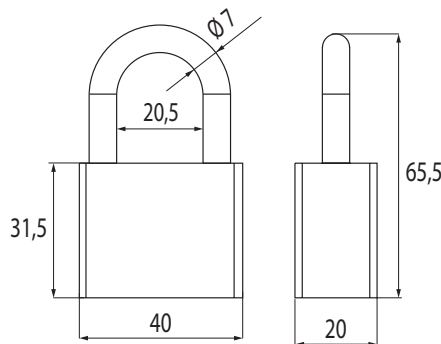
Brass padlock - SS-lock.
 $\varnothing 7$ mm hardened steel shackle.

Body size: 40 x 31,5 x 20 mm

Incl. 2 x blue keys w/key code
4000 key combinations
Master key system 0001.

Item No.:

Lock # 14.04.606-0
Master key # 14.04.606-5



PADLOCK 40MM, FULL PLASTIC COVER

Description:

Brass padlock $\varnothing 6,2$ mm hardened steel shackle.

2 SISO metal keys if key to differ.
If key alike only 1 SISO metal key.
Full matt black plastic cover to avoid
damaging cabinets.

Body size: 40 x 36 x 19,3 mm.

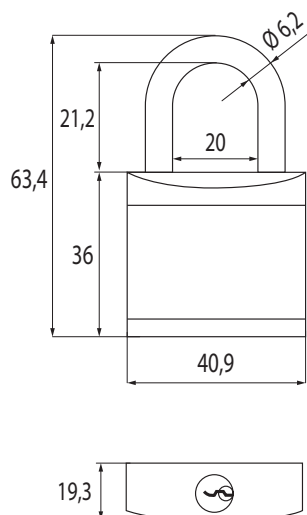
Minimum 800 key combinations
or key alike (KA).

Item No:

Padlock 40 mm, 800 key combinations
W/2 metal keys # 14.04.597

Padlock 40 mm, key alike KA:1
W/1 metal keys # 14.04.598

Padlock 40 mm, key alike KA:2
W/1 metal keys # 14.04.599



Material:

Zamak body
Carbon hardened steel
7,0 mm shackle

Total size:

60 x 43 x 16 mm

Humidity:

IP44

Battery:

Lithium 100mAh/3,7V

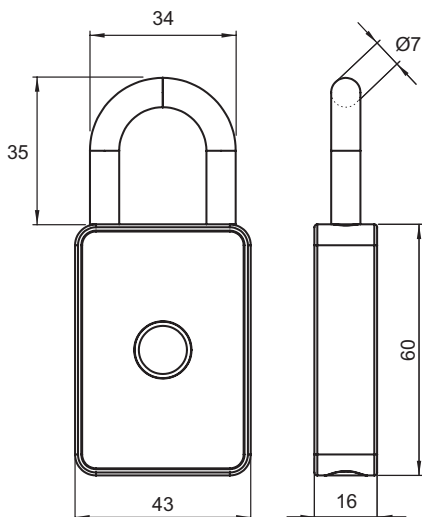
Micro USB 2.0

Operated:

IOS or Andriod

Item. No.: # 14.04.601

Included 2 Keys
& USB Charging Cable



Before use: download our **E-LOCKS App**
on App Store or Google Play.
You can find the user guide on www.siso.dk

App Store



Google Play



User Guide



CENTRAL LOCK NO. 851N - SIDE MOUNTED



Application:

Side mounted central lock on left or right side of the pedestal

Accessories for one set:

- 1 lock premounted aluminium locking bar
- 500, 600, 800 or 1200 mm
- Other lengths upon request
- 1 rosette
- 2 bar guides
- 3 adj. pegs 13 mm
- 2 SISO car keys
- 4 mounting screws

Function:

Turn key 180° locking bar moves down 9 mm to lock any numbers of drawers

Specification:

Lock, pegs - zamak
 Locking bar - aluminium
 Rosette, keys, screws - steel
 Bar guides - steel
 400 different key combinations
 Master key & Interchangeable system available on request

Option:

Adjustable pegs
 5, 6, 8, 11 or 19 mm
 available from stock

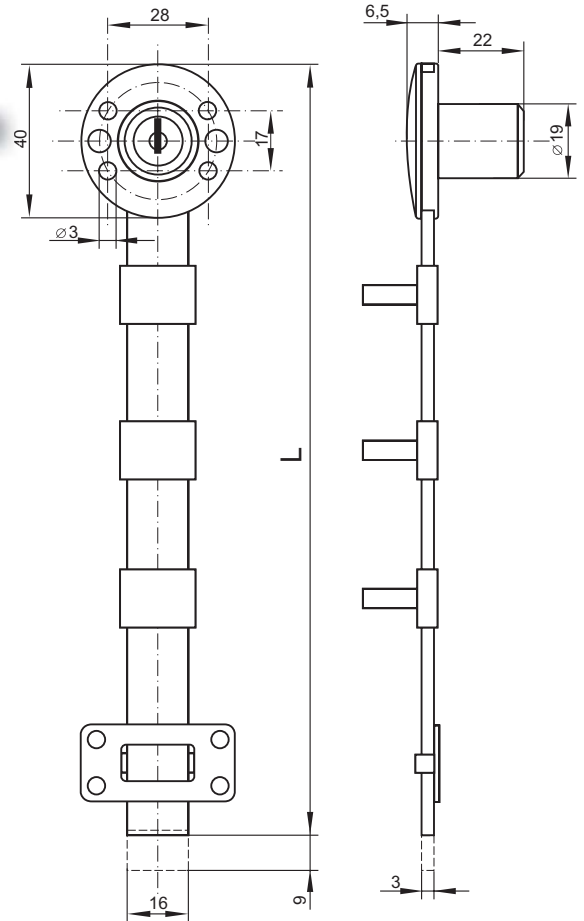
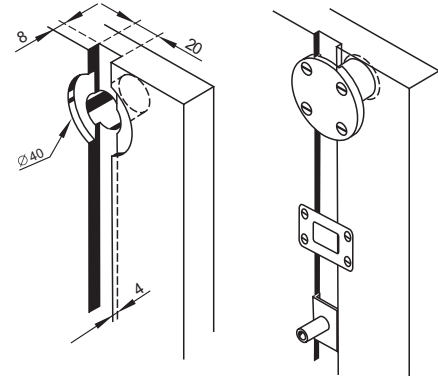
Finish:

Nickel plated
 Other finish upon request

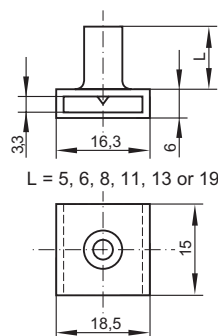
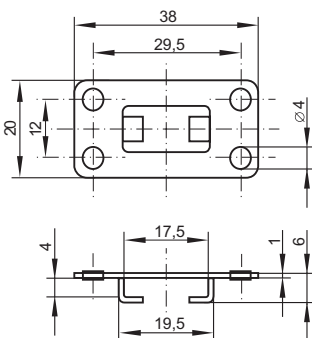
Packing:

12 pcs per box
 120 pcs per carton

Item No.: # 14.01.319 etc.



L = 500, 600, 800 or 1200 mm



Application:

Side mounted central lock on left or right side of the pedestal

Accessories for one set:

- 1 lock premounted aluminium lock bar in 500 mm.
- 1 rosette
- 2 bar guides
- 3 adj. pegs 8 mm
- 2 "CPH" hinged car keys

Function:

Turn key 180° locking bar moves down 9 mm to lock any numbers of drawers

Specifications:

- Zamak lock body, cylinder and pegs
- Aluminium locking bar
- Steel rosette, keys, bar guide & screws
- Cylinder size: $\varnothing 19 \times 20,5$ mm
- 80 key combinations

Finish:

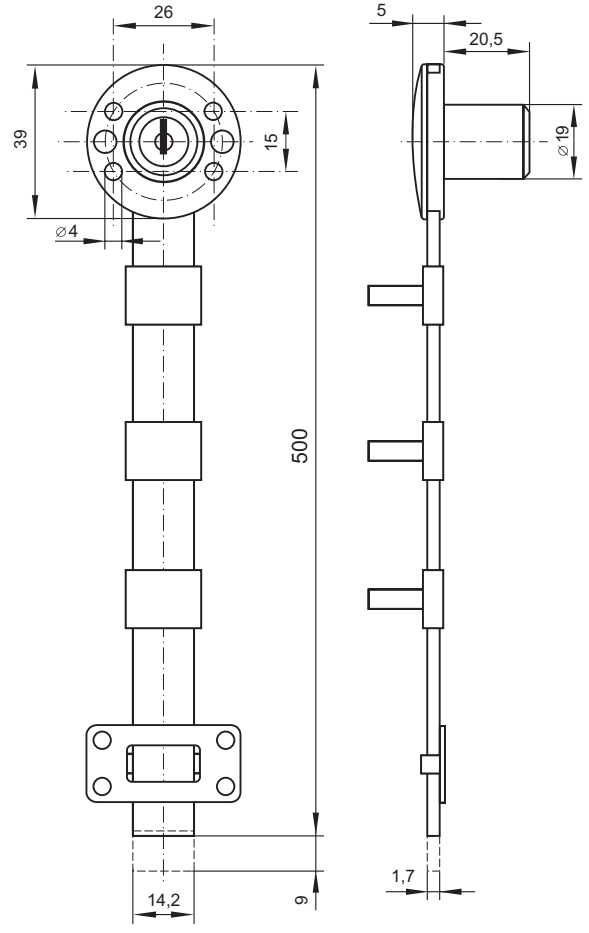
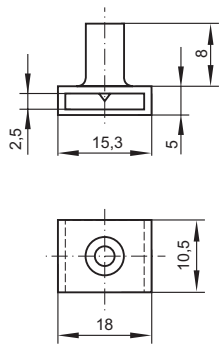
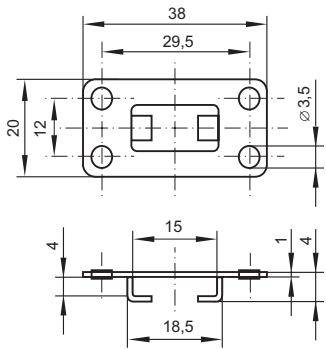
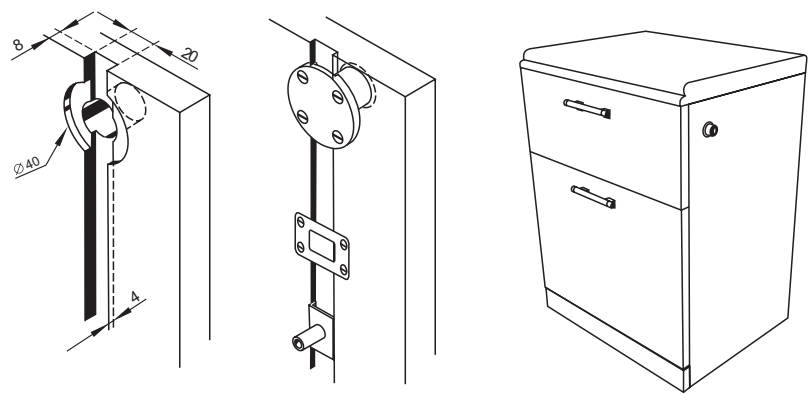
Chrome plated

Item No.:

14.01.340



80 KD



Application:

Central lock mounted into side of the pedestal either right or left side suitable only where drawer front goes inside the cabinet

Accessories for one set:

- 1 lock body
- 2 SISO car keys

Locking bars & accessories to be bought separately

Function:

Push cylinder and locking bar move up 9 mm to block or lock the drawers
To open: turn key and locking bar move down to open drawers

Specifications:

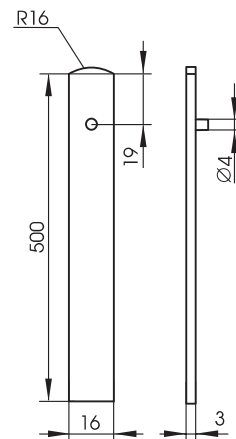
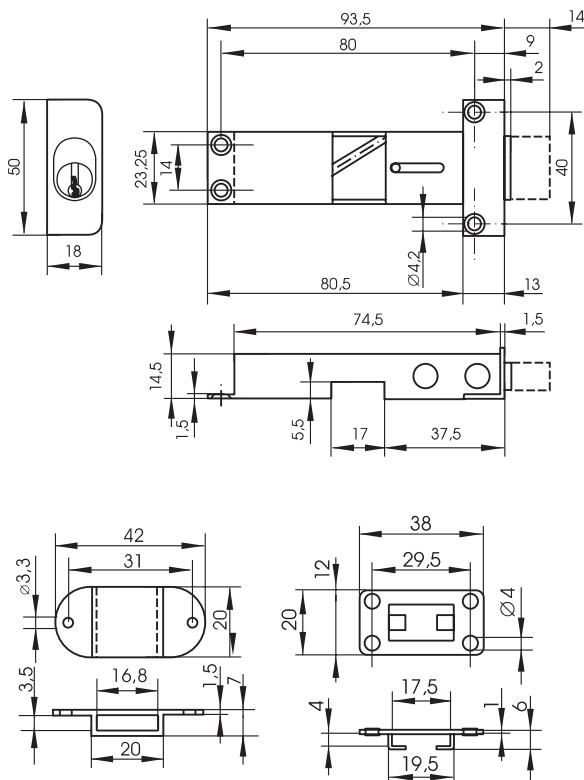
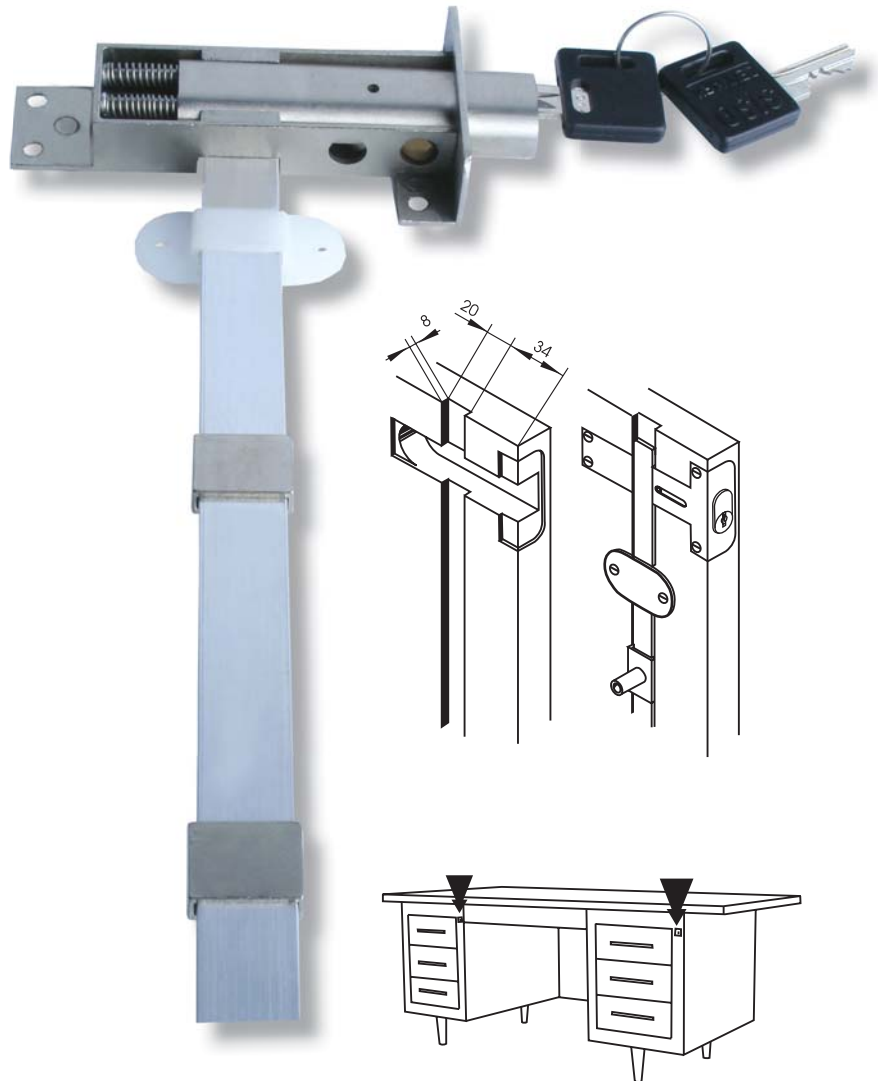
- Lock body - zamak
- Cylinder - brass
- Keys - steel
- 600 key combinations

Finish:

Nickel plated

Item No.:

- Lock keys: # 14.03.036-0
- Alu. locking bar 500 mm # 14.03.036-9
- Adjustable pegs 13 mm # 14.04.330
- Bar Guide - plastic # 14.03.285



L = 5; 6; 8; 11; 13 or 19 mm

Accessories for one set:

- 1 lock body
- 1 rosette
- 1 locking bar 500, 600, 700, 800
- 2 bar guides metal
- 3 adj. pegs 13 mm
- 2 SISO car keys

Function:

Turn key 180° the locking bar move up to block/lock any numbers of drawers

Specification:

Lock, pegs - zamak
 Locking bar - aluminium
 Rosette, key - steel
 400 key combinations
 Master key & Interchangeable system available on request

Option:

Adj. pegs 5, 6, 8, 11, or 19 mm
 Available on stock other
 Lengths of locking bars
 On stock 1200 and 1300 mm

Finish:

Nickel plated
 Black anodized
 Aluminium finish
 Other finishes upon request

Packing:

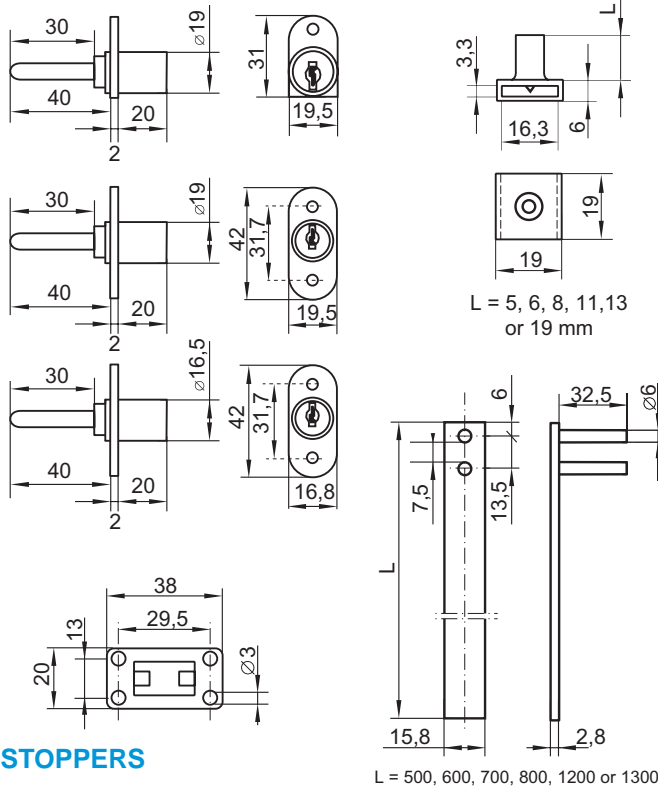
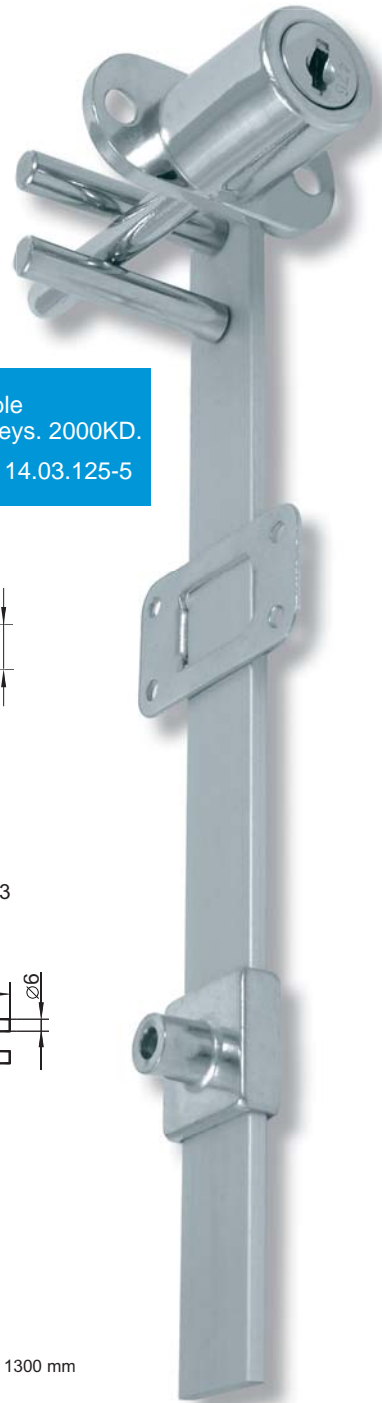
24 pcs per box
 120 pcs per export carton

Item No.: # 14.03.104 etc.



Also available w/Tubular keys. 2000KD.

Item No.: # 14.03.125-5

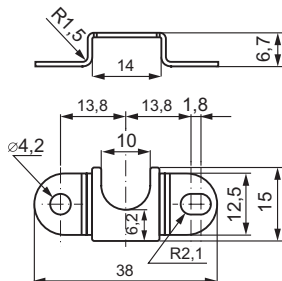


DRAWER STOPPERS

OPTIONAL



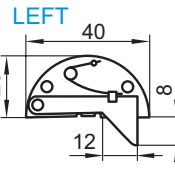
Item No.: # 14.02.011



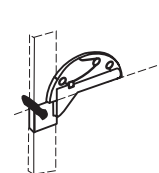
OPTIONAL



Item No.: # 14.02.030



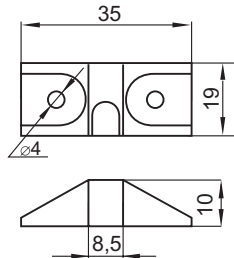
CLOSED



OPTIONAL



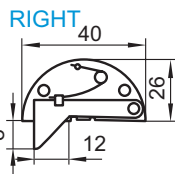
Item No.: # 14.02.010



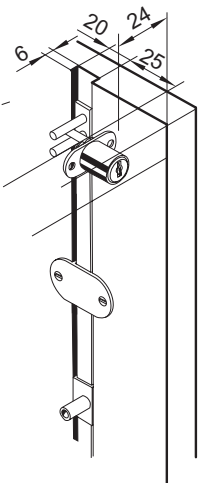
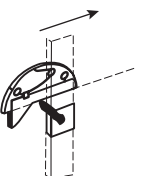
OPTIONAL



Item No.: # 14.02.020

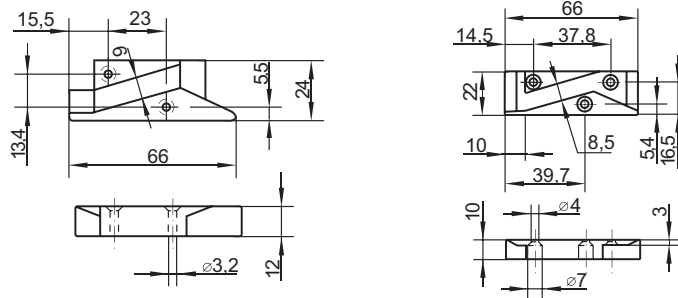


TO CLOSE

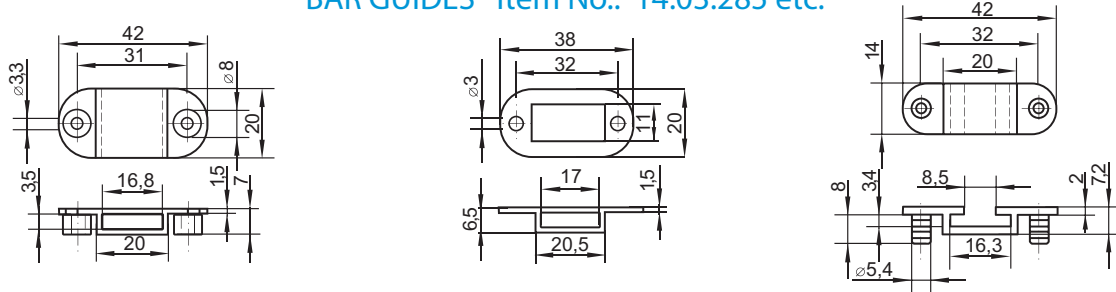


Central lock No. 1018 as described and illustrated on separate page for this lock, but here on this page illustrated as a simple antitilt solution mainly applied on PEDESTALS. Illustrated below are special locking bar needed for this system and different accessories. Please advise all sizes: L, A, B, C to customize bars for you.

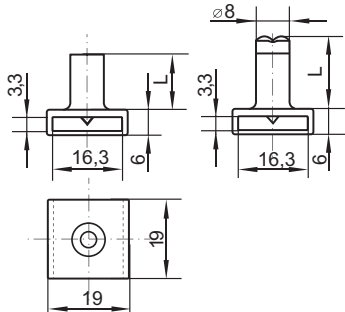
ANTITILT BLOCKS Item No.: 14.03.270 etc.



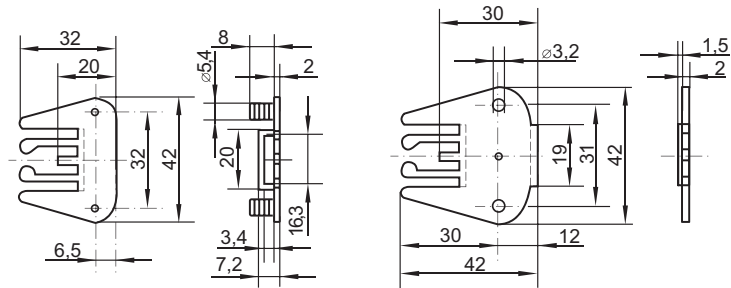
BAR GUIDES Item No.: 14.03.285 etc.



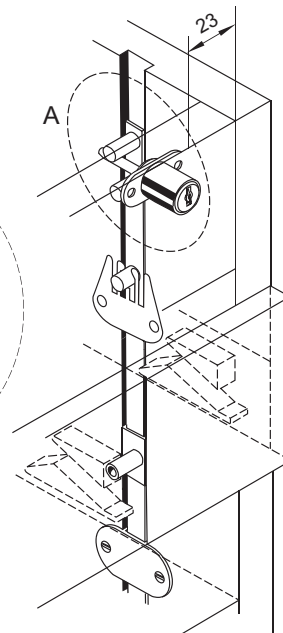
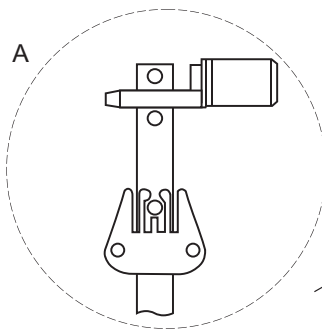
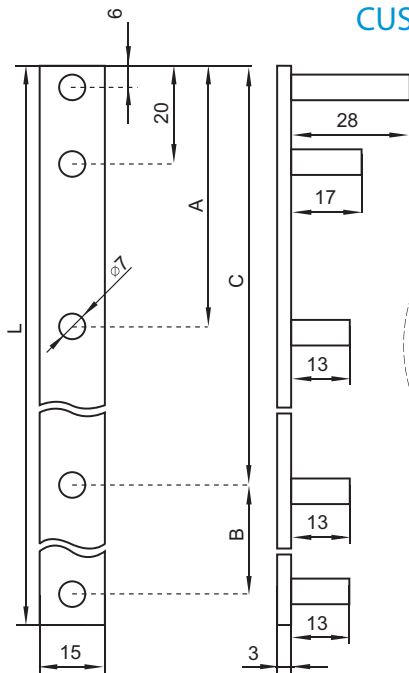
ADJUSTABLE PEGS Item No.: 14.04.309 etc.



CATCH GUIDES Item No.: 14.03.280 etc.



CUSTOM MADE LOCKING BARS



Application:

Front mounted central lock on left or right side of the pedestal

Accessories for one set:

- 1 lock
- 1 rosette
- 1 locking bar 500, 600 or 800 mm
- 2 bar guides
- 3 adj. pegs 8 mm
- 2 "CPH" hinged car keys

Function:

Turn key 180° locking bar moves up
To block/lock any numbers of drawers

Specifications:

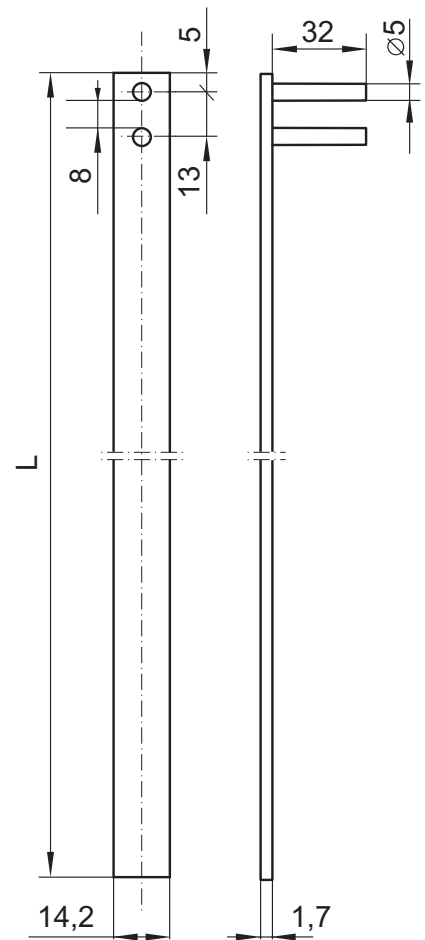
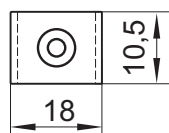
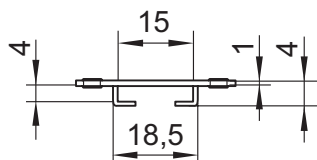
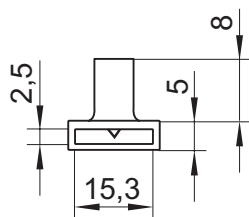
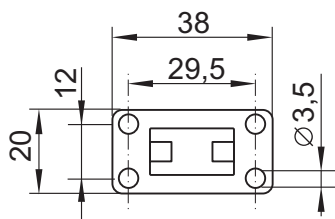
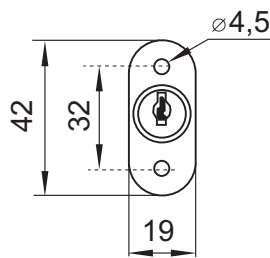
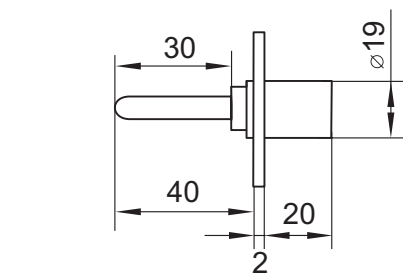
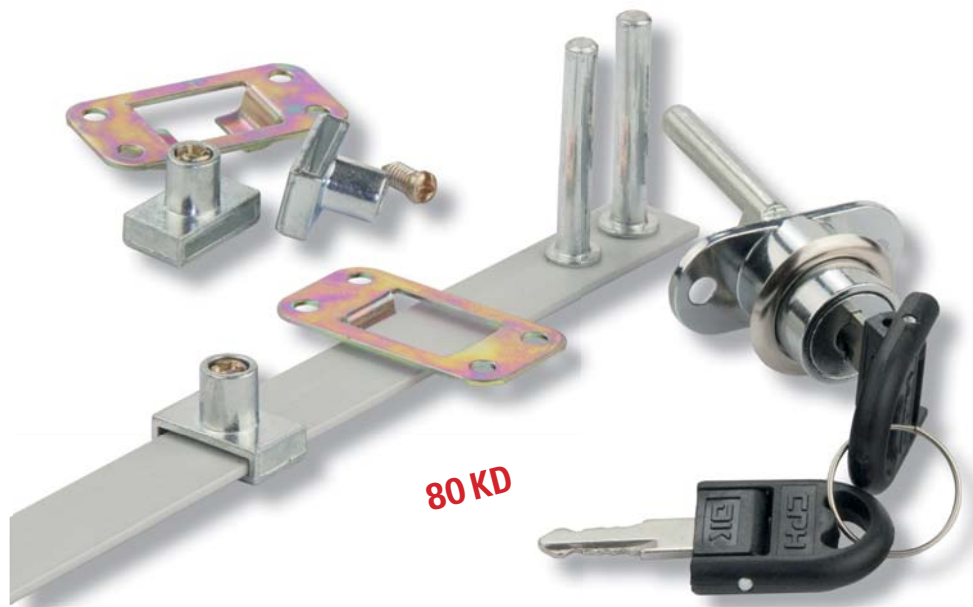
Zamak lock body, cylinder and pegs
Aluminium locking bar
Steel rosette, keys, bar guide & screws
Cylinder size: $\varnothing 19 \times 20$ mm
80 key combinations

Finish:

Chrome plated

Item No.:

- W/500mm bar # 14.03.160
- W/600mm bar # 14.03.165
- W/800mm bar # 14.03.167



L = 500, 600 or 800 mm

CENTRAL LOCK NO. 4103

Application:

Central lock mounted into side of the pedestal either right or left side suitable only where drawer front goes inside the cabinet

Accessories:

- 1 lock body
- 1 mounting clip
- 1 locking bar 500 or 700 mm others lengths upon request
- 3 adj. pegs 13 mm standard
- 2 bar guides
- 2 SISO car keys

Function:

Turn key 180° and locking bar moves up to lock/block any amount of drawers

Specification:

- Lock, pegs - zamak
- Clip, key, bar guides - steel
- Locking bar - aluminium
- 400 key combinations
- Master Key system available on request

Options:

Adjustable pegs 5, 6, 8, 11 or 19 mm available on stock

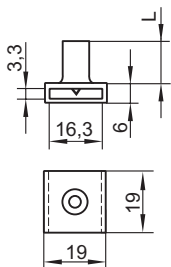
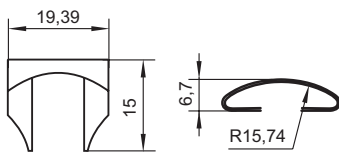
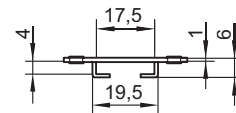
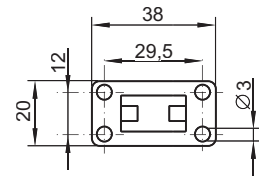
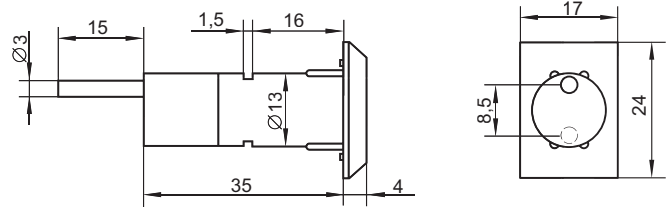
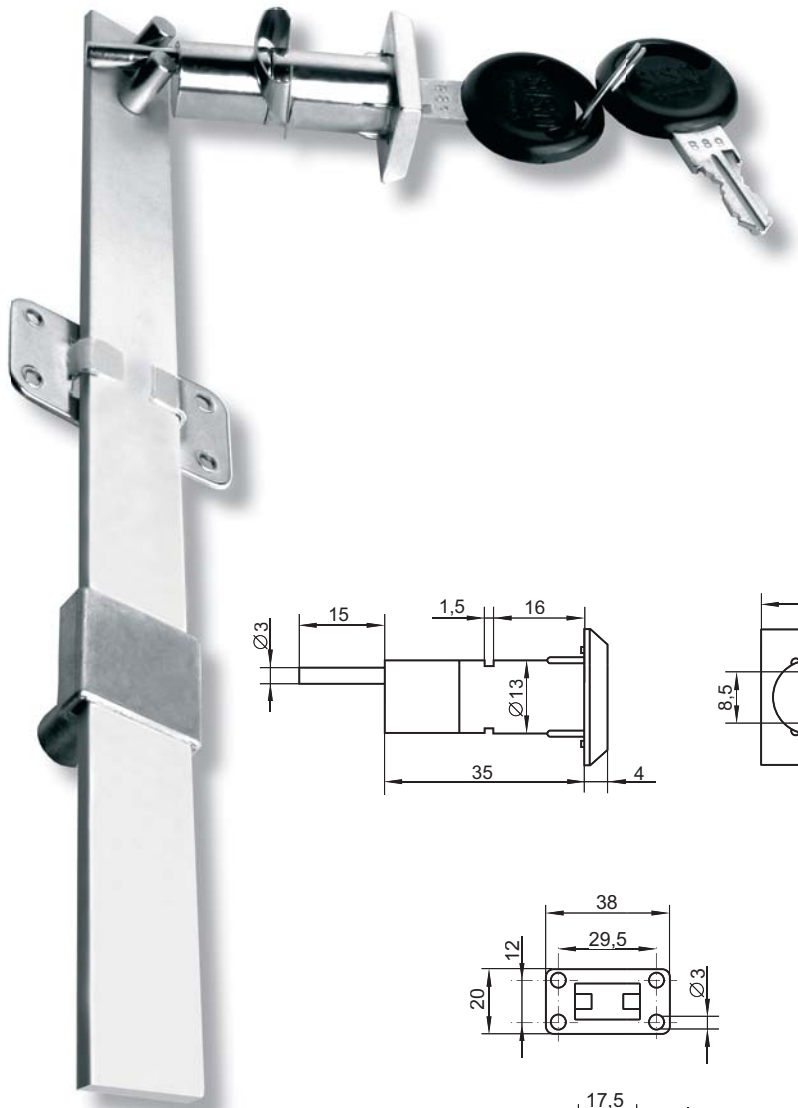
Finish:

Nickel plated

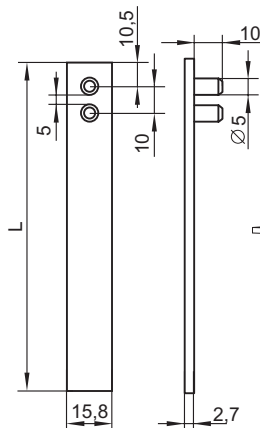
Packing:

24 pcs per box

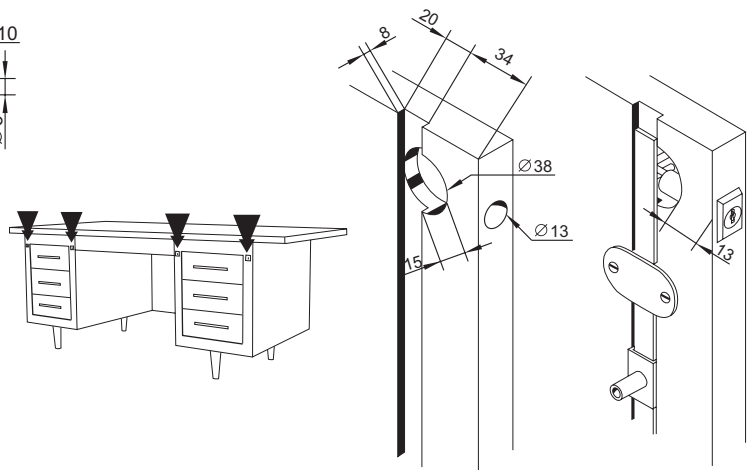
Item No.: # 14.04.025 etc.



L = 5, 6, 8, 11, 13 or 19 mm



L = 500 or 700 mm

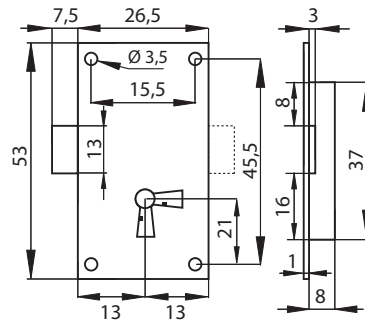


CUPBOARD LOCK "AFRIC"

Yellow zinc plated, double handed
2 lever = 10 differs
Each lock supplied
2 neutral zamak keys
For vertical + horizontal use

Packing:

25 pcs per box
250 pcs per carton



Item No.: # 14.06.145



BOX LOCK No. 2110 - 15 mm backset

Universal for right/left or draw application

Finish:

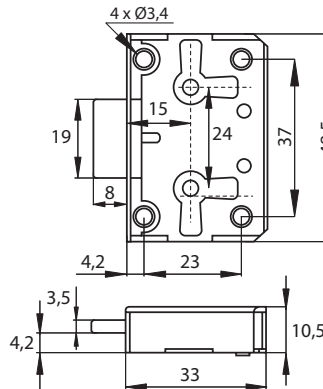
Nickel or bronze plated

Locking system:

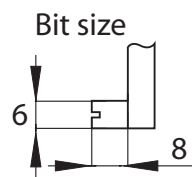
For eurobit key - 1 lever key no differs

Packing:

40 pcs per box
400 pcs per carton



Item No.: # 14.06.212



BOX LOCK No. 2110 - 20 mm backset

Universal for right/left or draw application

Finish:

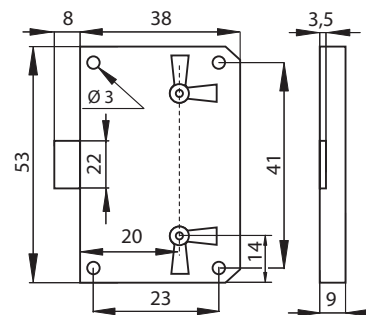
Nickel, brass or bronze plated

Locking system:

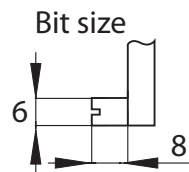
For eurobit key - 1 lever key no differs

Packing:

40 pcs per box
400 pcs per carton



Item No.: # 14.06.215



BOX LOCK No. 2110 - 25 mm backset

Universal for right/left or draw application

Finish:

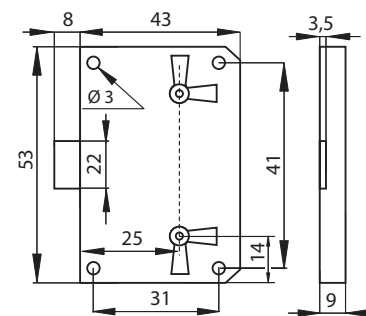
Nickel, brass or bronze plated

Locking system:

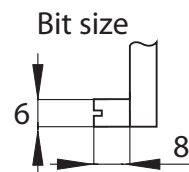
For eurobit key - 1 lever key no differs

Packing:

40 pcs per box
400 pcs per carton



Item No.: # 14.06.235



BOX LOCK No. 2110 - 30 mm backset

Universal for right/left or draw application

Finish:

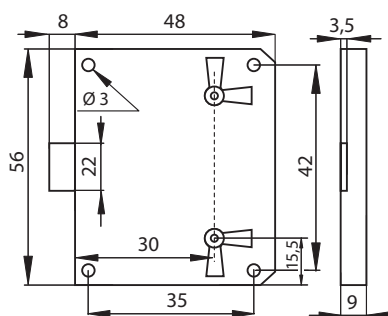
Nickel, brass or bronze plated

Locking system:

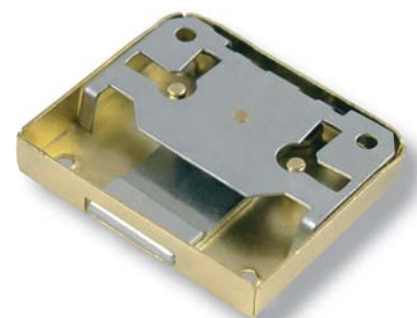
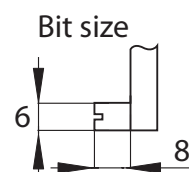
For eurobit key - 1 lever key no differs

Packing:

30 pcs per box
300 pcs per carton



Item No.: # 14.06.245



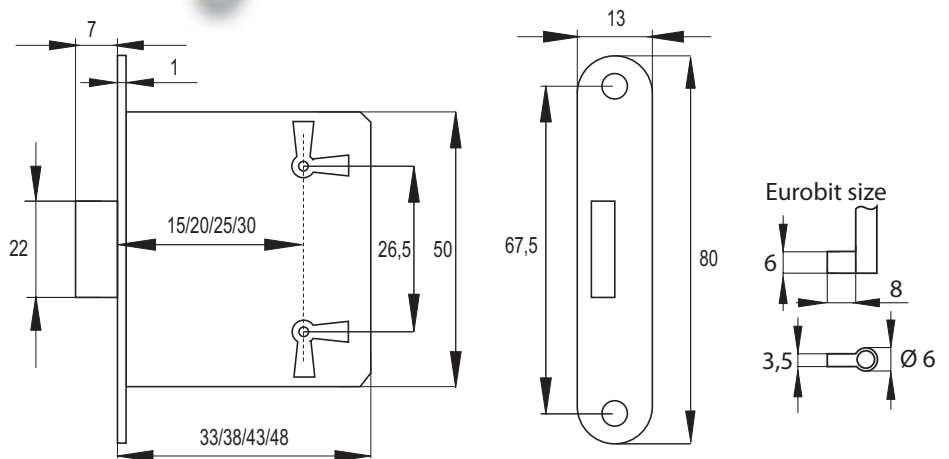
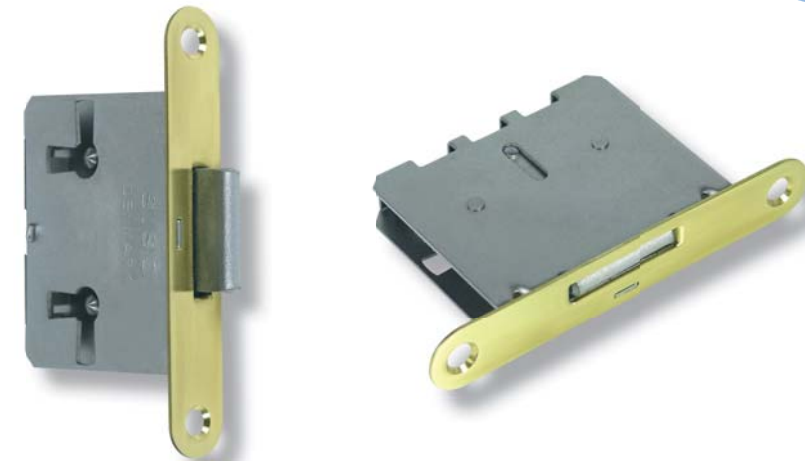
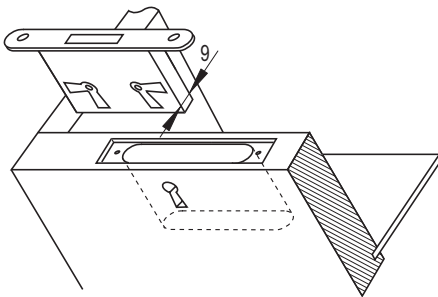
MORTISE LOCKS

Application:
Universal left, right and draw

Specification:
For eurobit key - 1 lever key
Lock made of plain steel
Rounded front plate made of brass
Key alike
From 15 to 30 mm backset

Packing:
50 pcs per box
400 pcs per carton

Item No.:
15 mm backset # 14.06.028
20 mm backset # 14.06.029
25 mm backset # 14.06.030
30 mm backset # 14.06.035



MORTISE CHEST LOCKS

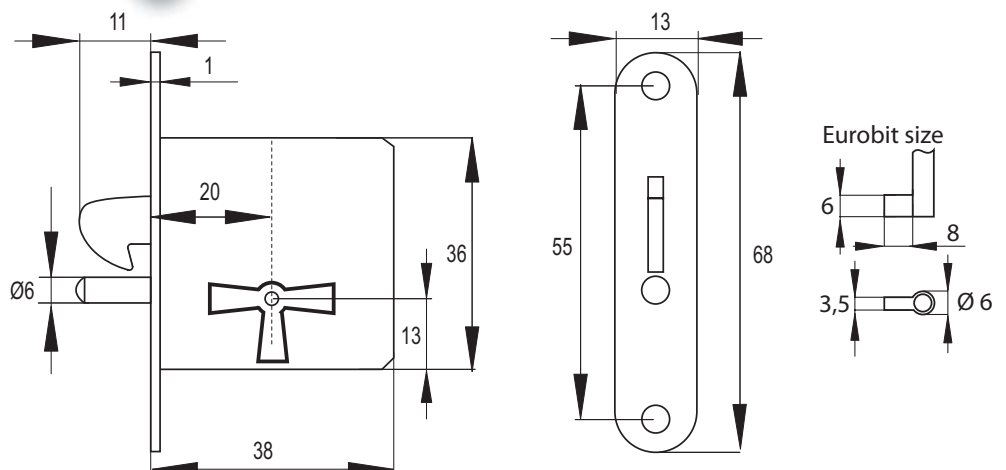
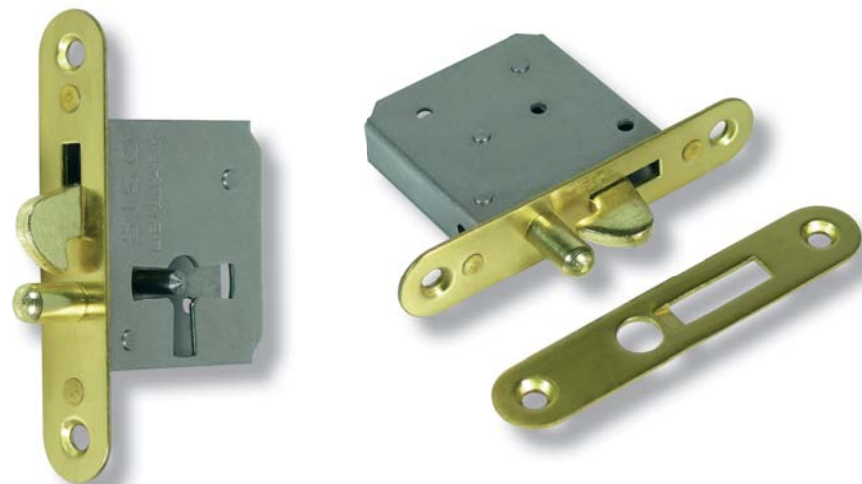
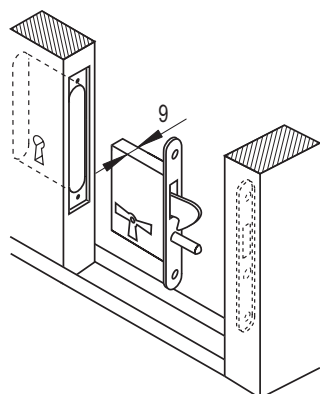
MORTISE CHEST LOCK - 20 mm backset

Function:
Right hand and draw position
Front plate + striking plate brass rounded
Lock body steel plain

Locking system:
For eurobit key - 1 lever key
Key alike

Packing:
50 pcs per box
500 pcs per carton

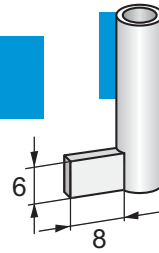
Item No.: # 14.06.064



MODEL 7771 - effective shaft lengths 40 mm
Zamak, nickel plated, brass plated and bronze plated



Item No.:
14.10.055 etc.



ALL KEYS SUPPLIED EUROBIT...
for 1 lever locks only

MODEL 9512 - effective shaft lengths 35 mm
Zamak, nickel plated, brass plated, bronze plated
and chrome plated



Item No.:
14.10.200 etc.

MODEL 7772 - effective shaft lengths 35 mm
Zamak, nickel plated, brass plated and bronze plated



Item No.:
14.10.050 etc.

MODEL "MMI" - beech or maple wooden head, effective shaft lengths 35 mm
Zamak, matt nickel plated



Item No.:
14.10.060 etc.

MODEL 0007 - effective shaft lengths 35 mm
Zamak, nickel plated, brass plated and bronze plated



Item No.:
14.10.240 etc.

MODEL 7170 - effective shaft lengths 35 mm
Zamak, nickel plated, brass plated and bronze plated



Item No.:
14.10.210 etc.

MODEL K-1026 - effective shaft lengths 42 mm
Zamak, nickel plated and brass plated



Item No.:
14.10.080 etc.

MODEL "LYRE" - effective shaft lengths 45 mm
Zamak brass plated and bronze plated



Item No.:
14.10.170 etc.

MODEL "REGENCY"
Zamak, nickel plated, brass plated and bronze plated



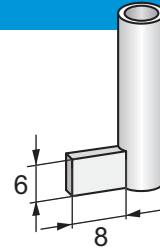
Item No.:
14.10.218 etc.

MODEL "DIMINUTIVE" - effective shaft lengths 35 mm
Zamak bronze plated. Other finish upon request



Item No.:
14.10.046

ALL KEYS SUPPLIED EUROBIT...
for 1 lever locks only



MODEL 1028 - effective shaft lengths 18 mm
Zamak, nickel plated, brass plated and bronze plated



Item No.:
14.10.070 etc.

MODEL "ROCOCO" - effective shaft lengths 40 mm
Zamak, nickel plated, brass plated and bronze plated

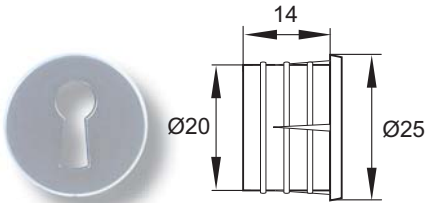


Item No.:
14.10.206 etc.

PLASTIC ROUND Nickel Plated Matt

Front Ø 25 mm - knock in 20 mm Ø x 14 mm

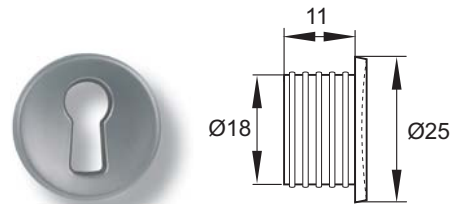
Item No.: # 14.11.040



ZAMAK ROUND Nickel Plated Matt

Front Ø 25 mm - knock in 18 mm Ø x 14 mm

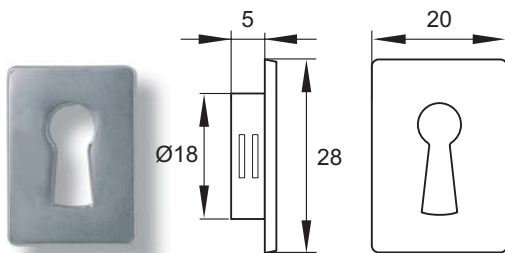
Item No.: # 14.11.041



PLASTIC RECTANGULAR Nickel Plated Matt

Front 20 x 28 mm - knock in 20 mm Ø x 5 mm

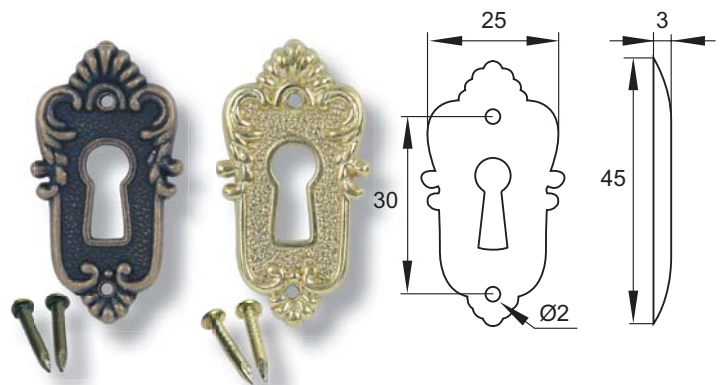
Item No.: # 14.11.061



ZAMAK ANTIQUE Nail On Type Bronze or Brass Plated

Front 25 x 45 mm

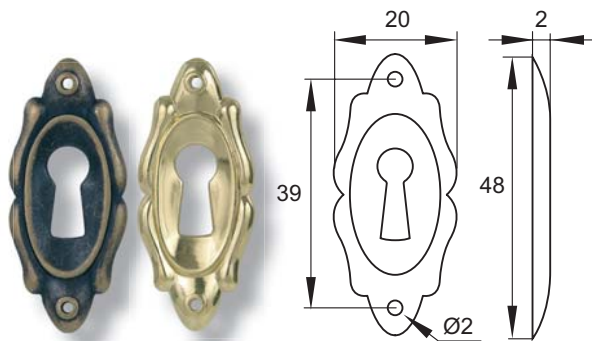
Item No.: # 14.11.170 etc.



ZAMAK OVAL Nail On Type Bronze or Brass Plated

Front 20 x 48 mm

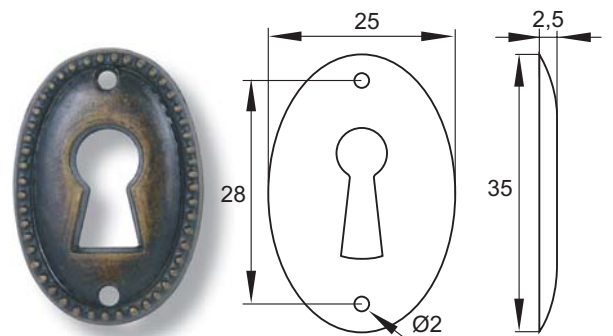
Item No.: # 14.11.150 etc.



MODEL No. 7891

Front 25 x 35 mm

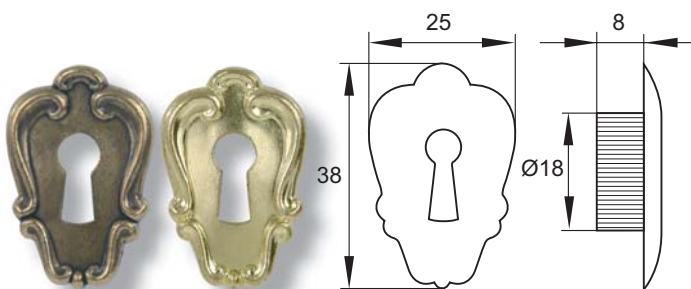
Item No.: # 14.11.205



ZAMAK ANTIQUE Bronze or Brass Plated

Front 25 x 38 mm - knock in 18 mm Ø x 8 mm

Item No.: # 14.11.180 etc.



Application:

Wardrobes, lockers, cabinets and others

Accessories one set:

- 1 lock right or left handed 16,5 or 19 mm cyl. diam
- 1 rosette
- 2 SISO car keys
- 2 hooks and holders top and bottom
- 2 bar guides
- 2 stoppers either eccentric or triangular

Locking bars to be ordered separately
Available in lengths of 1000, 1200, 1500 and 2000 mm in nickel plated, brass plated and bronze plated

Function:

Turn key and locking bars will rotate. Hooks will move behind the stops. Cam extend from the lock case and door will be locked at 3 points

Specification:

- 400 different key combinations or key alike
- 15 mm backset
- 25 mm backset on request
- Master key & Interchangeable system available on request

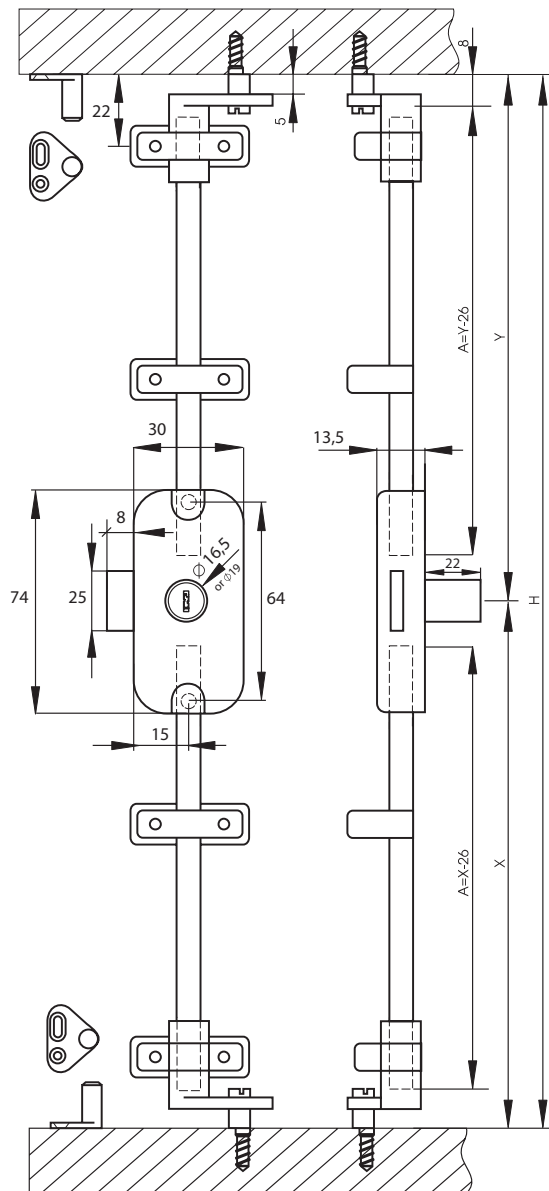
Finish:

Zamak body in nickel plated, aluminium finish or black zinc
Plastic body in burgundy or black

Packing:

- 12 pcs per box
- 120 pcs per carton

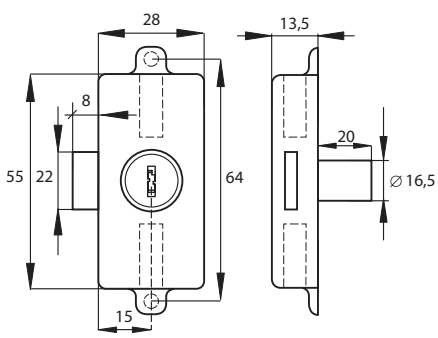
Item No.: # 14.05.268 etc.



INNER HEIGHT OF THE CABINET



LOCK NO. H-922
Item No.: # 14.05.284 etc.



Application:

Wardrobes, lockers, cabinets and others

Accessories one set:

- 1 lock right or left handed 16,5 or 19 mm cyl. diam
- 1 rosette
- 2 SISO car keys
- 2 hooks and holders top and bottom
- 2 bar guides
- 2 stoppers either eccentric or triangular

Locking bars to be ordered separately. Available in lengths of 1000, 1200, 1500 and 2000 mm in nickel plated, brass plated and bronze plated

Function:

Turn key and locking bars will rotate. Hooks will move behind the stops. Cam extend from the lock case and door will be locked at 3 points

Specification:

- 400 different key combinations or key alike
- 15 mm backset
- 25 mm backset on request
- Master key & Interchangeable system available on request

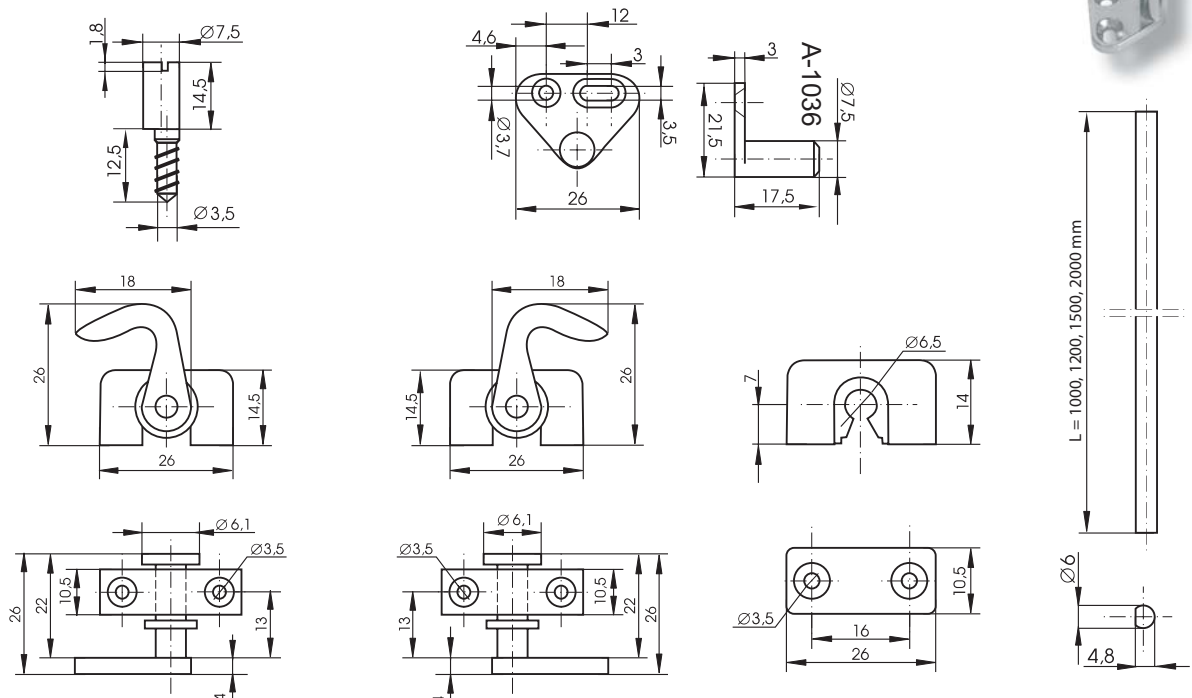
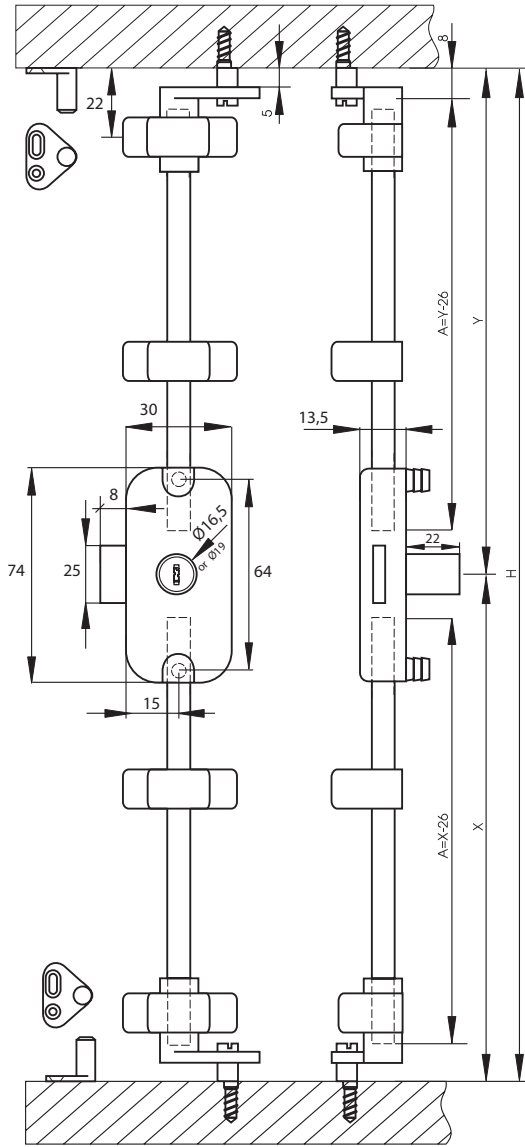
Finish:

Zamak body in nickel plated, aluminium finish or black zinc
Plastic body in burgundy or black

Packing:

- 12 pcs per box
- 120 pcs per carton

Item No.: # 14.05.281 etc.



ESPAGNOLETTE LOCK MODEL NO. 924 W/KNOB & KEY ESPAGNOLETTE LOCK NO. 925 W/KNOB



Application:

Wardrobes, lockers and cabinets

Accessories one set:

- 1 lock body right hand
- 1 knob + pin
- 2 hooks and holders top/bottom
- 2 bar guides
- 2 eccentric stops

Locking bars to be ordered separately. Available in lengths of 1000, 1200, 1500 and 2000 mm in nickel plated, brass plated and bronze plated

Function:

Turn the knob to lock/unlock in 3 points

Specification:

Lock designed for 19/20 mm panel thickness.
For other thicknesses please ask for 400 different key combinations or key alike
15 mm backset
25 mm backset on request
Master key & Interchangeable system available on request

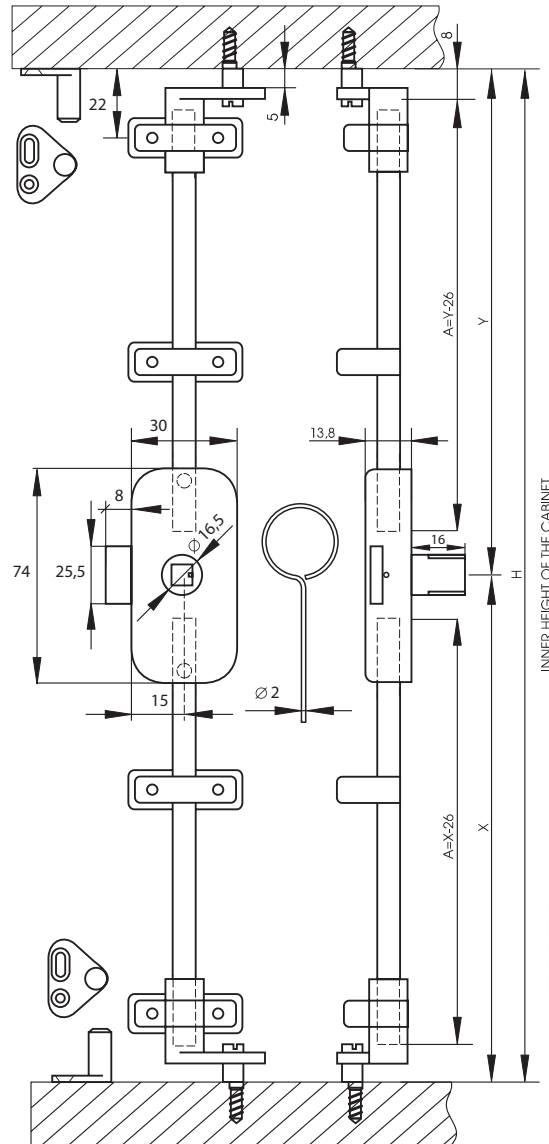
Finish:

Zamak body & knob in nickel plated, aluminium finish, brass plated, SS-look or nickel matt
Plastic body & knob in black colour

Packing:

- 10 pcs per box
- 100 pcs per carton

Item No.: # 14.05.233 etc.



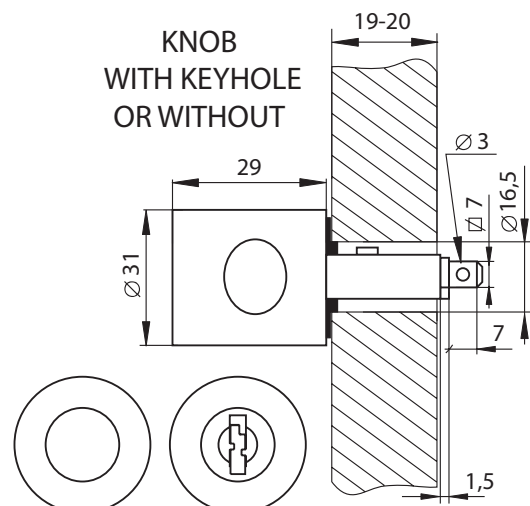
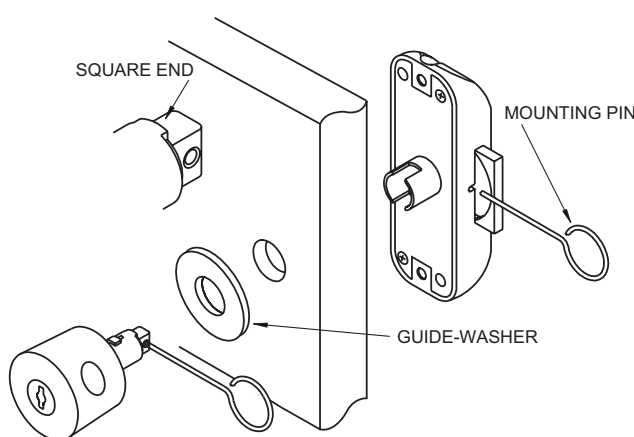
Lock NO.924

Lock NO.925

Item No.: # 14.05.240

KNOB MOUNTING INSTRUCTION FOR LOCK No. 924 "MIC" AND No. 925

Set the lock in locked position by turning inside the square a screw driver etc. Insert the door knob into the lockbody taking care that the square end stays upwards. Insert the pin and press the spring loaded pin inside the square. While doing so press the knob forward into the square. As the door knob move forward, remove the pin and continue pushing till the door knob clicks into the square (when the spring loaded pin in the square anchor into the knob axis).



Application:

Wardrobes, lockers, cabinets, drawers

Accessories one set:

- 1 lock right hand 15 mm backset
- 1 square pin 7 x 7 x 50 mm harpoon nose attaching screw
- 2 hooks top/bottom
- 2 bar guides
- 2 eccentric stops

Locking bars to be ordered separately. Available in lengths of 1000, 1200, 1500 and 2000 mm in nickel plated, brass plated and bronze plated.

Optional:

- Left hand side
- 25 mm backset
- Other finishes
- Other lengths of square pin
- Knobs premounted square pin (advice lengths L)

Function:

Turn the knob and locking bars will rotate and fasten the hooks behind the stops to lock and unlock. The cam extends from the lockcase and the door will lock in 3 points

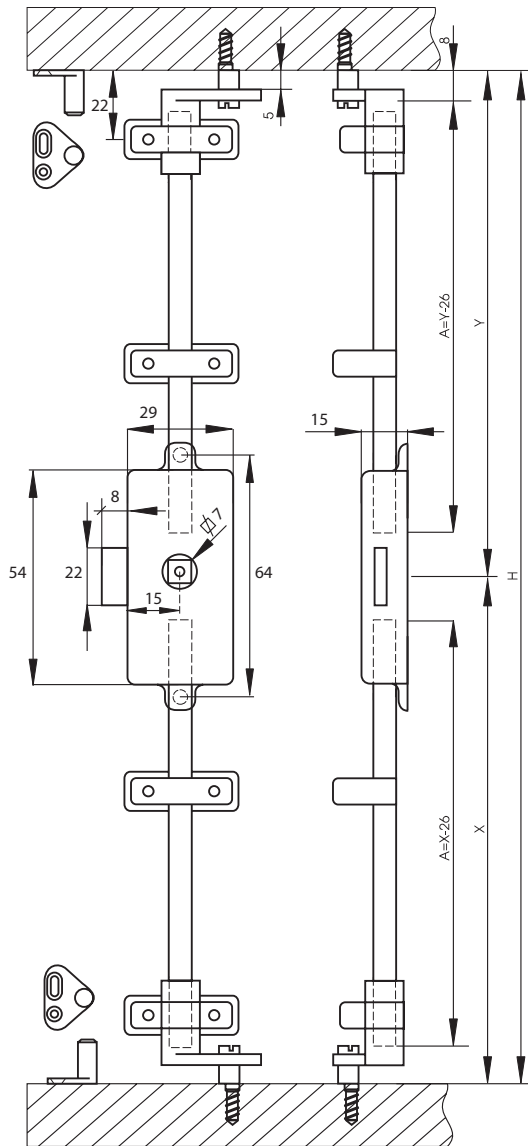
Finish:

Nickel plated

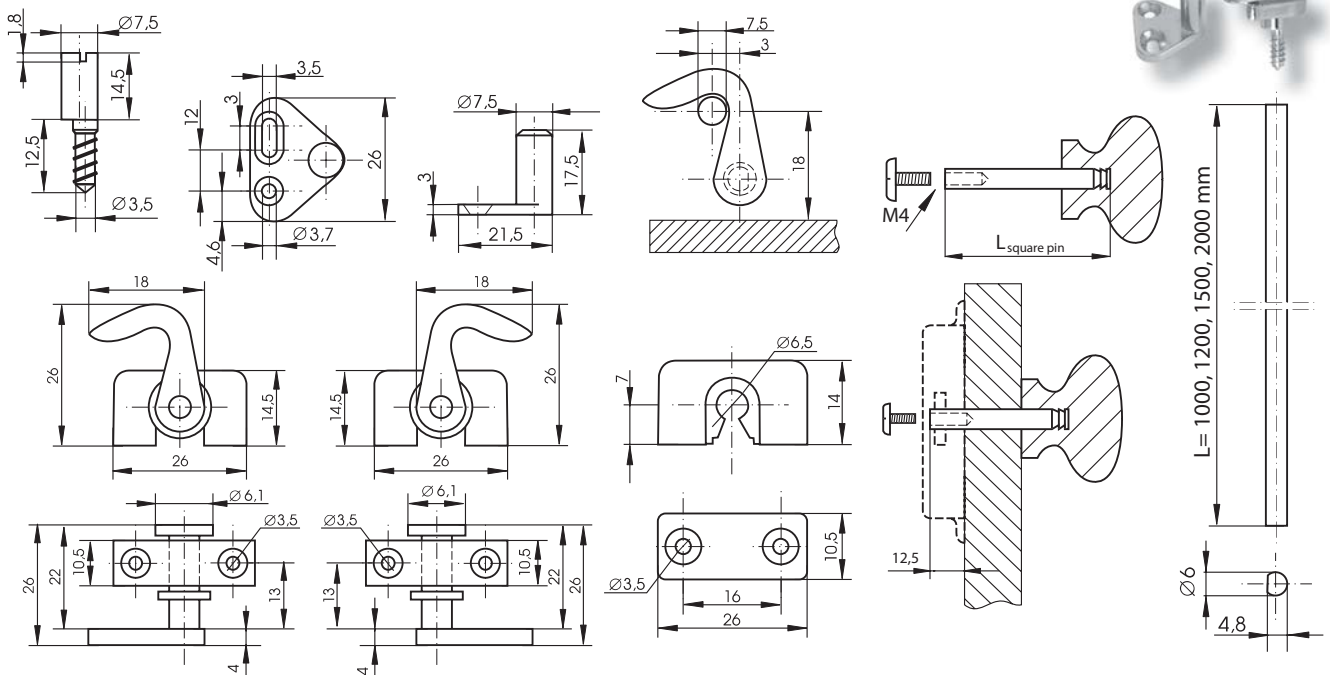
Packing:

- 12 pcs per box
- 120 pcs per carton

Item No.: # 14.05.231



Optional



ESPAGNOLETTE LOCK NO. 155

Application:

Wardrobes/cabinets

Accessories one set:

- 1 lock case
- 2 hooks top/bottom
- 2 bar guides
- 2 eccentric stops

Keys & locking bars to be ordered separately. Bars available in lengths of 1000, 1200, 1500 and 2000 mm in nickel plated, brass plated and bronze plated

Function:

Turn key and locking bars will rotate to make hooks fastened behind the stops cam extend from the lock case and locking at 3 points of the door

Universal right/left hand of the door

Optional:

Stoppers on triangular plate A-1036

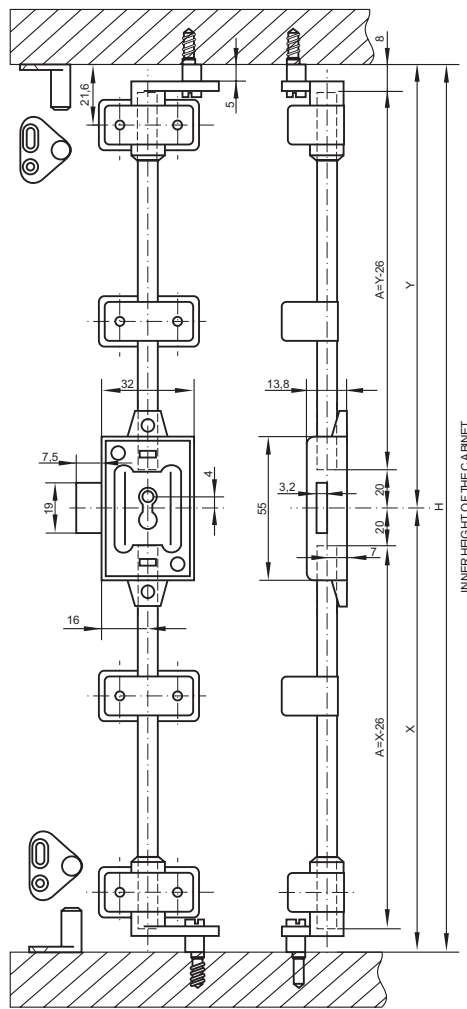
Finish:

Zamak body in nickel plated, brass plated or bronze plated
Plastic body in brown colour

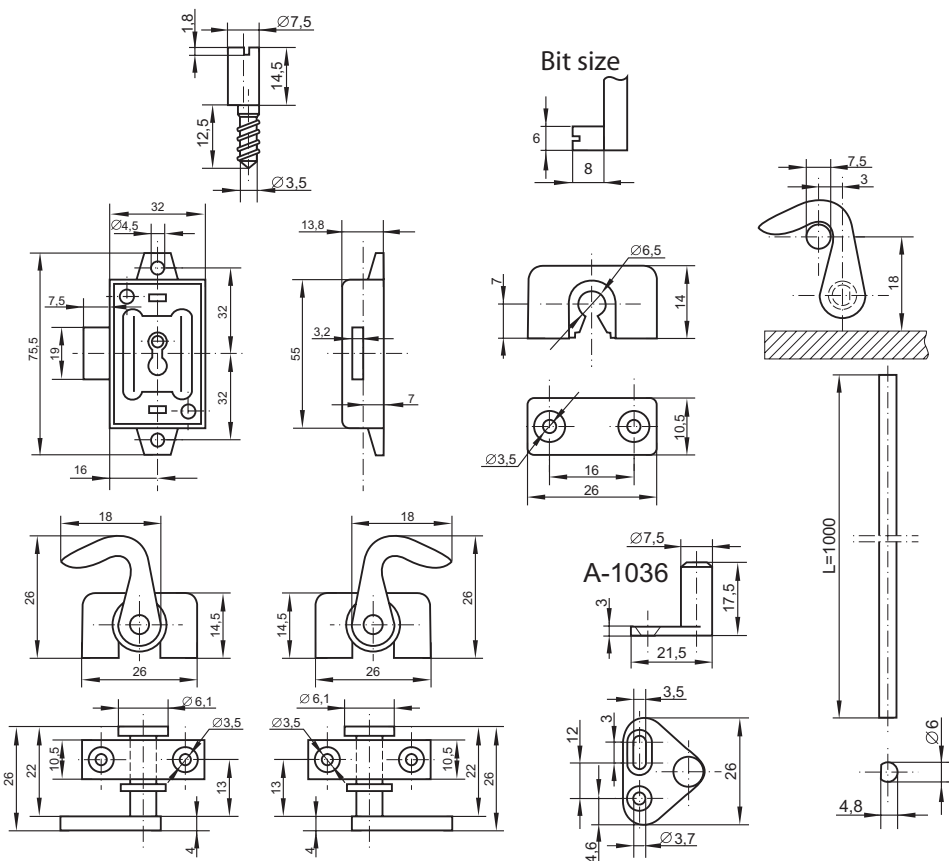
Packing:

- 15 pcs per box
- 180 pcs per carton

Item No.: # 14.05.310 etc.



Key to be ordered separately



Application:

Wardrobes and cabinets

Accessories one set:

- 1 lock backset 15 mm right hand
- 2 hooks top/bottom
- 2 bar guides
- 2 eccentric stoppers

Keys & locking bars to be ordered separately. Bars available in lengths of 1000, 1200, 1500 and 2000 mm in nickel plated, brass plated and bronze plated

Function:

Turn key and locking bars will rotate. Hooks will move behind the stops. The cam will extend from the lock case and the door will be locked at 3 points

Optional:

- Other finishes, stoppers on triangular plate A-1036
- Left handed version
- 25 mm backset

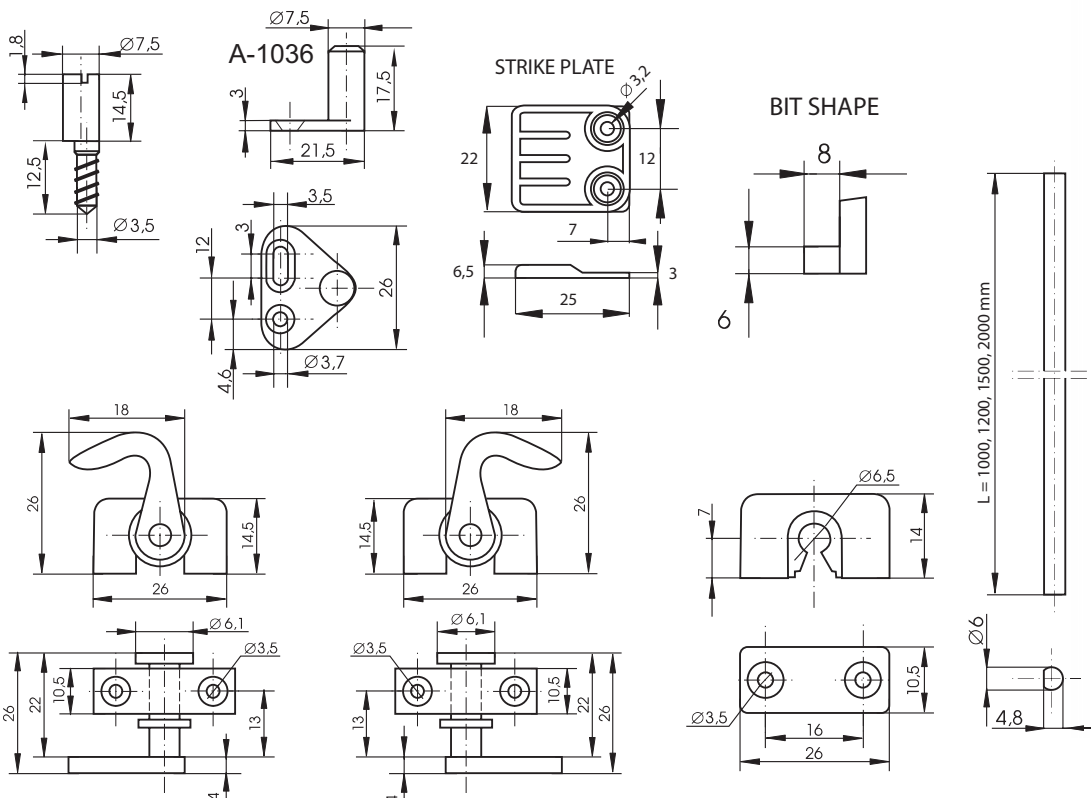
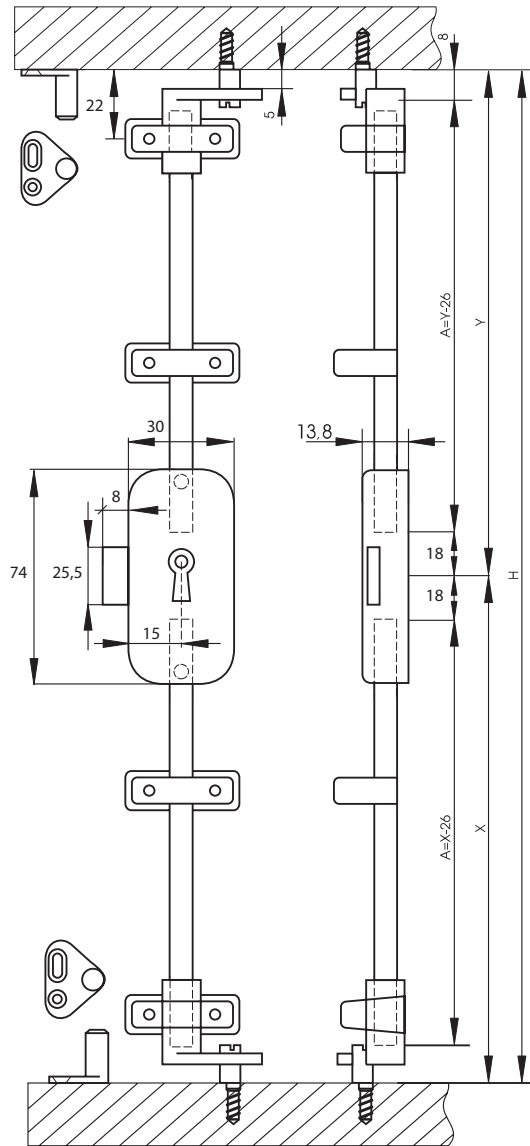
Finish:

- Zamak body in nickel plated or bronze plated
- Plastic body in burgundy colour

Packing:

- 12 pcs per box
- 120 pcs per carton

Item No.: # 14.05.250 etc.



PASQUIL LOCK NO. 7080 - EXTENTION BARS LOCK



Application:

Heave duty drawers, windows doors, wardrobes and cabinets

Accessories one set:

- 1 lock \varnothing 19 x 22 mm
- 1 rosette
- 4 bar guides
- 2 sockets
- 2 SISO car keys

Locking bars to be ordered separately
Available in lenghts of 1000, 1200 and 2000 mm in nickel plated

Option:

16,5 mm cyl. diam. and longer cyl. lenghts

Function:

Turn key 180° and locking bars extend up and down 9 mm to lock and unlock

Specification:

400 different key combinations or kay alike
Locking bars available in 1000, 1200, 2000 mm lenghts from stock
Other lenghts upon request
Master Key system available on request

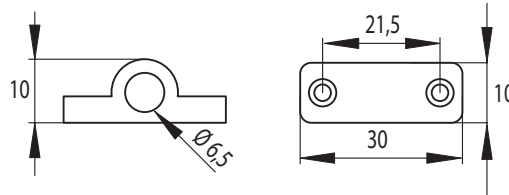
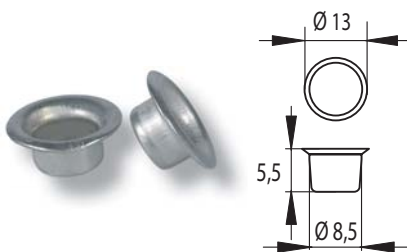
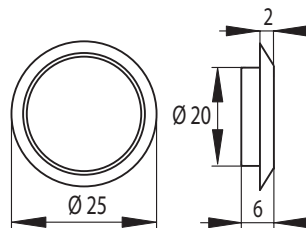
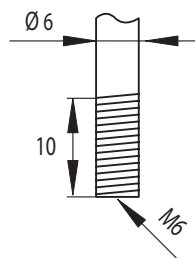
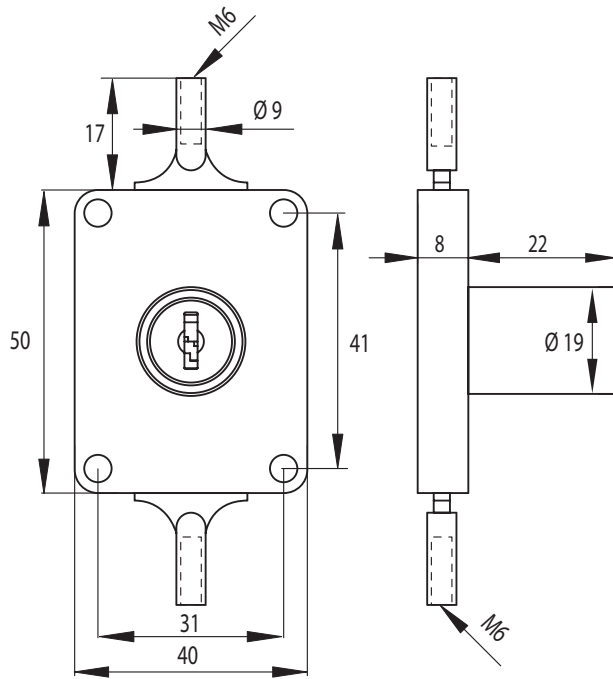
Finish:

Nickel plated

Packing:

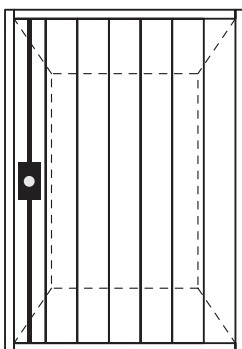
- 12 pcs per box
- 120 pcs per carton

Item No.: # 14.05.300 etc.

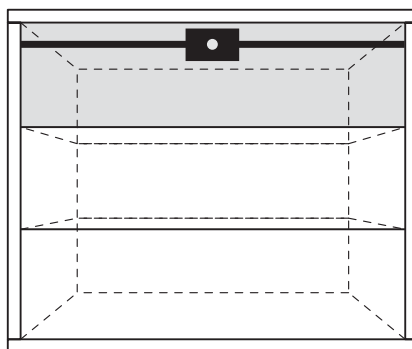


Application

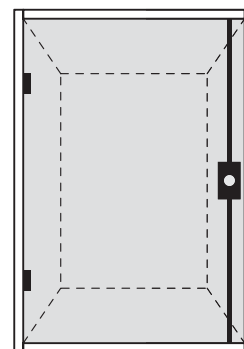
Shutter doors



Heavy duty drawers



Wardrobes



Description:

Pasquil cabinet lock 844
out bar but accessories

Finish:

Black coated
or antique bronze, YZP for locking bar

Item No:

Black coated

Pasquil cabinet lock # 14.05.551
Locking bar 1500 mm # 14.05.560-5

Antique bronze

Pasquil cabinet lock # 14.05.550
Locking bar 1500mm # 14.05.560-0

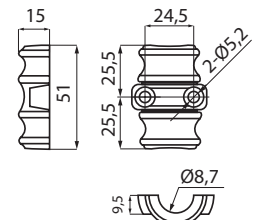
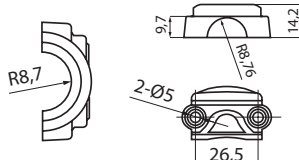
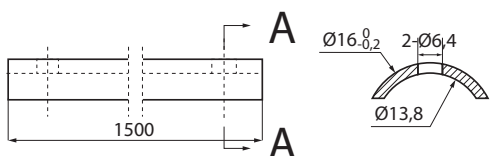
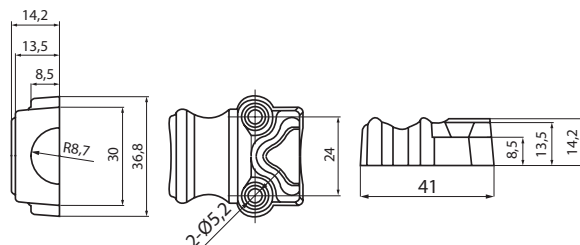
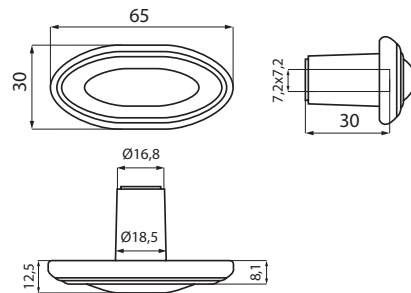
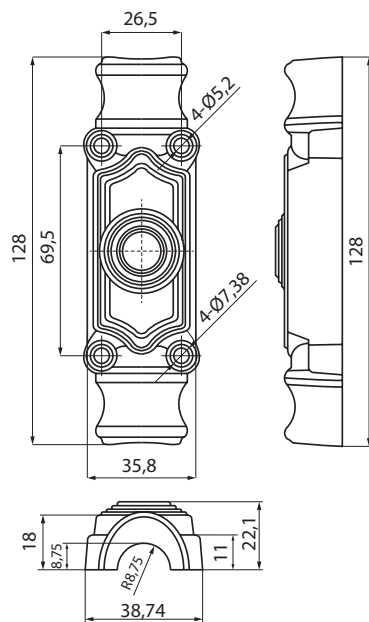
Black coated



Antique bronze



Yellow zinc plated



CAM LOCK NO. X-44 F/METAL FURNITURE

Application:

Steel drawers, cabinets, lockers
Snap in fixing
Maximum panel thickness 2 mm

Accessories for one set:

1 lock
1 cam No. 27
2 SISO car keys

Function:

Turn key 90° or 180° to lock/unlock

Option:

Other cam style/size
Other rotation angle

Specification:

Zamak lock body & cylinder
Steel spring clip, cam & keys
400 key combinations
Master Key system available on request

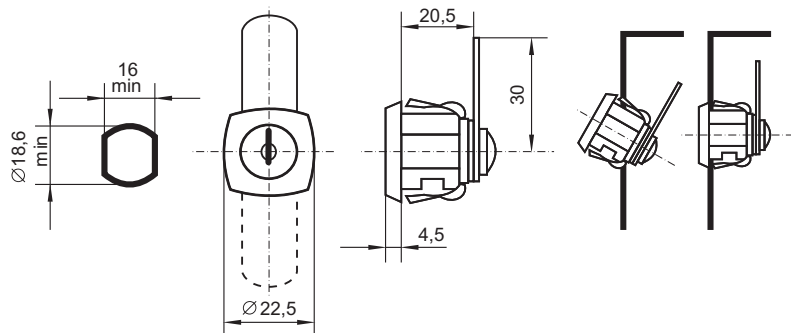
Finish:

Chrome plated

Packing:

36 pcs per box
360 pcs per export carton

Item No.: # 14.08.070 etc.



CENTRAL LOCK NO.44D F/METAL FURNITURE

Application:

Multi drawer pedestal
Filing cabinets
Snap in fixing
Maximum panel thickness 2 mm

Accessories for one set:

1 lock
2 SISO car keys

Function:

Turn key 180° to move self made locking bar to lock/unlock any number of drawers

Specification:

Zamak lock body & cylinder
Steel spring clip, cam & keys
400 key combinations
Master Key system available on request

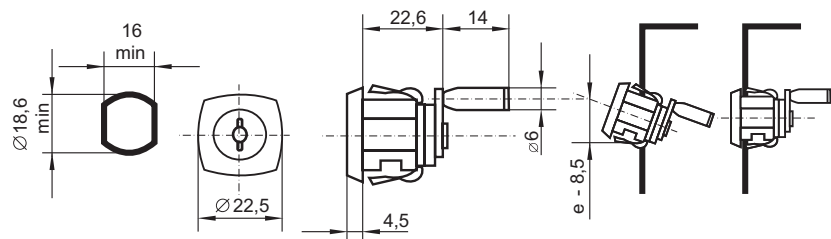
Finish:

Chrome plated

Packing:

36 pcs per box
360 pcs per export carton

Item No.: # 14.08.090 etc.



T-HANDLE #1800 (Front mounted)

Application:

For steel cabinets, garage doors, lockers, wardrobes & vehicles

Accessories for one set:

- 1 lock handle
- 2 SISO car key

Function:

90° turn
Turn key to lock handle in closed position

Specifications:

Zamak lock body, handle & cylinder
Steel cam & keys
400 Key combinations or key alike

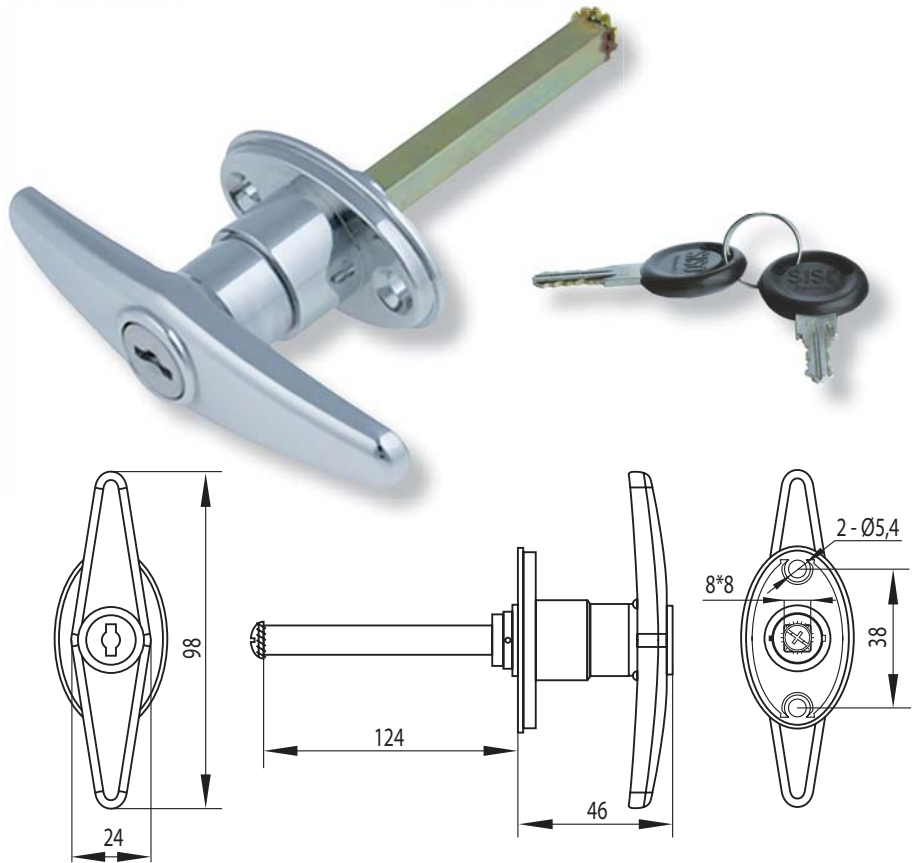
Finish:

Chrome plated

Packing:

10 pcs per box
100 pcs per export carton

Item No.: # 14.08.058



T-HANDLE #1801 (Back mounted)

Application:

For steel cabinets, garage doors, lockers, wardrobes & vehicles

Accessories for one set:

- 1 lock handle
- 2 SISO car key

Function:

90° turn
Turn key to lock handle in closed position

Specifications:

Zamak lock body, handle & cylinder
Steel cam & keys
400 Key combinations or key alike

Finish:

Chrome plated

Packing:

10 pcs pr. box
100 pcs pr. export carton

Item No.: # 14.08.057



T-HANDLE NO.T-44

Application:

Steel cabinets, lockers, wardrobes, vehicles

Accessories for one set:

- 1 lock handle
- 1 cam plate
- 1 back plate
- 2 SISO car keys
- Mounting screws

Function:

Turn handle 90° to lock/open.
turn key to lock handle in closed position
Can be applied self made pasquil bars for 3-way locking

Specification:

Zamak lock body, handle & cylinder
Steel cam & keys
400 key combinations or key alike
Master Key system available on request

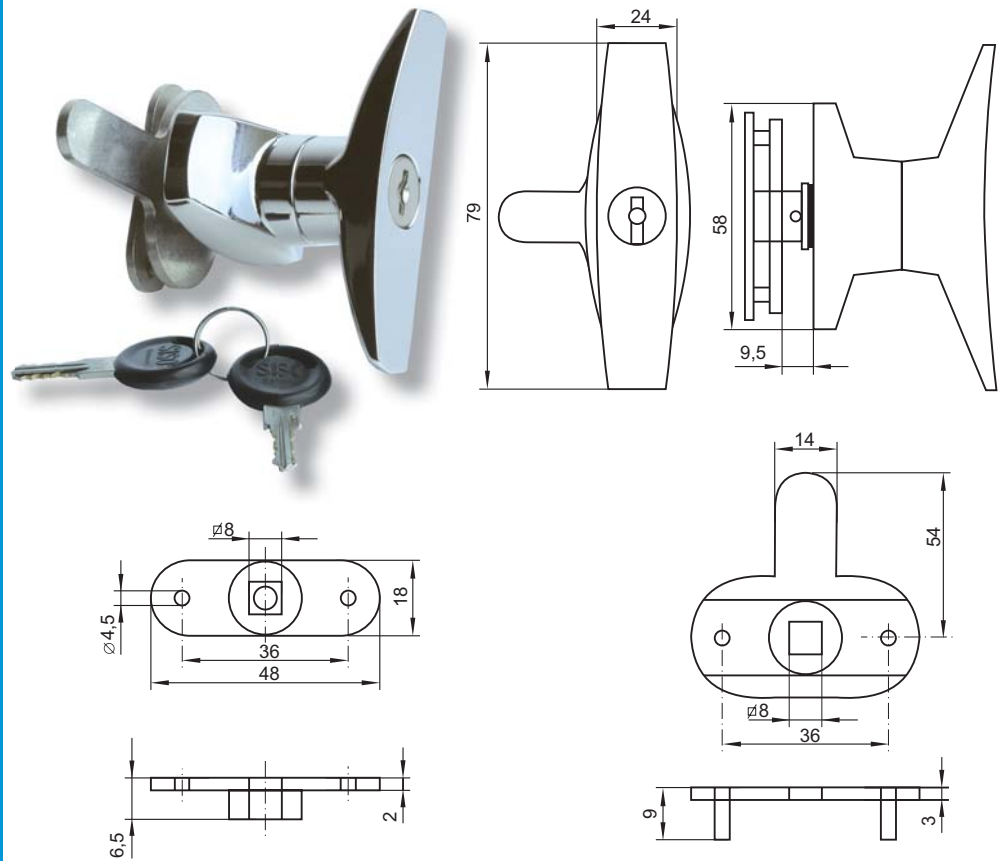
Finish:

Chrome plated

Packing:

- 10 pcs per box
- 100 pcs per export carton

Item No.: # 14.08.055 etc.



T-HANDLE NO. 177

Application:

Steel cabinets, lockers, wardrobes, vehicles

Accessories for one set:

- 1 lock handle
- 2 SISO car keys

Function:

Turn handle 90° To lock/open.
Turn key to lock handle in closed position
Can be applied self made pasquil bars for 3-way locking

Specification:

Zamak lock body, handle & cylinder
Steel cam & keys
400 key combinations or key alike
Master Key system available on request

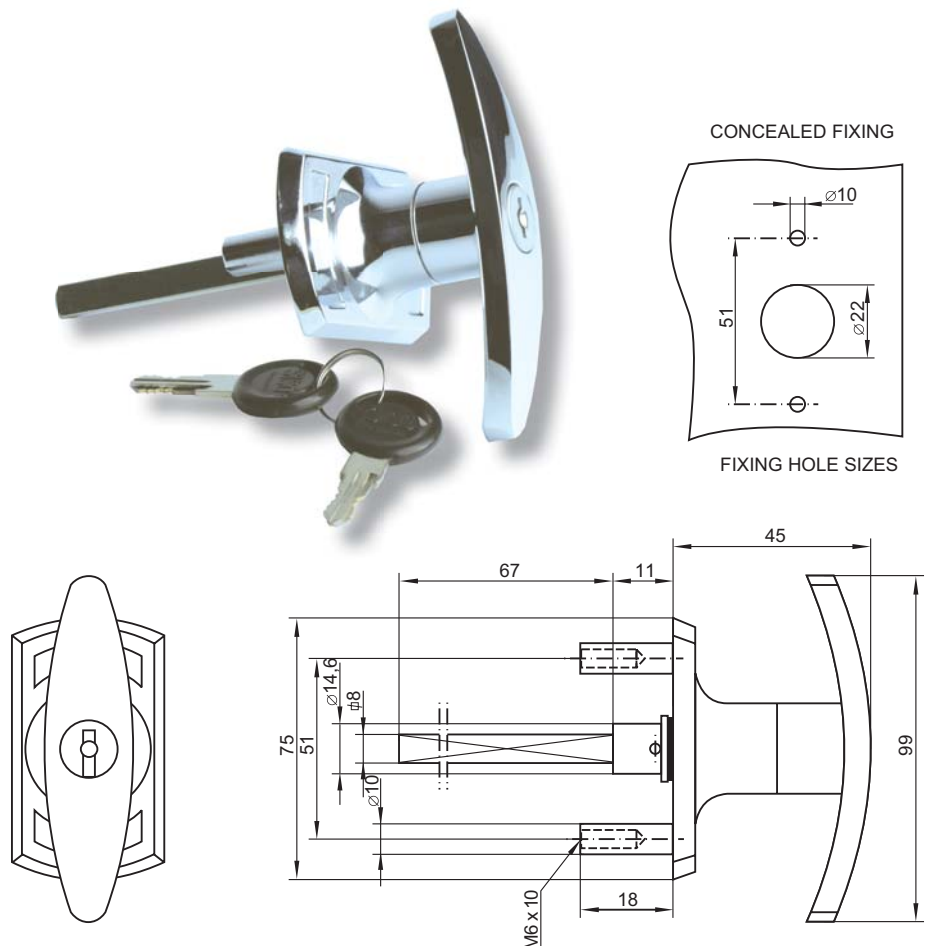
Finish:

Chrome plated

Packing:

- 10 pcs per box
- 100 pcs per export carton

Item No.: # 14.08.056 etc.



Application:

Steel cabinets, lockers, wardrobes, vehicles

Accessories for one set:

- 1 lock handle
- 1 cam plate
- 1 back plate
- 2 SISO car keys
- Mounting screws

Function:

Turn handle 90° to lock/open, turn key to lock handle in closed position

Can be applied for 3-way locking self made pasquill bars

Specification:

Zamak lock body, handle & cylinder
Steel cam & keys
400 key combinations
Master Key system available on request

Finish:

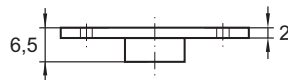
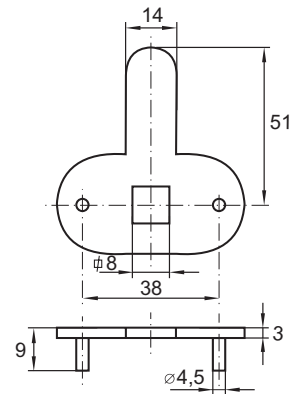
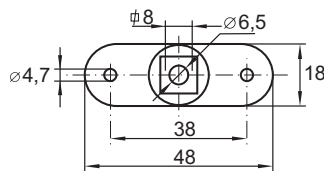
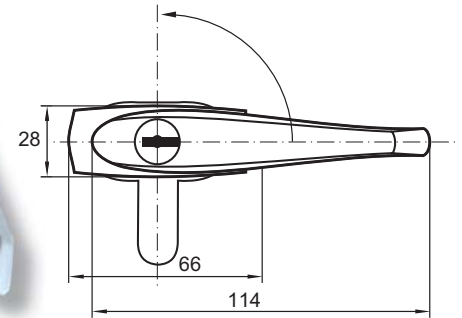
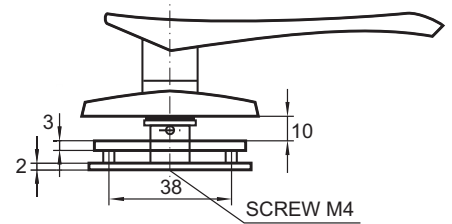
Chrome plated

Packing:

- 8 pcs per box
- 96 pcs per export carton

Item No.:

- Key to differ # 14.08.036
- Key alike # 14.08.037



LOCKER HANDLE NO. 8813

Application:

Steel cabinets, lockers and wardrobes
Easy snap on mounting
No screws required

Function:

Turn handle 90° to lock/open
Turn key to lock handle when in closed position
Can be applied self made Pasquill bars as 3-way locking system

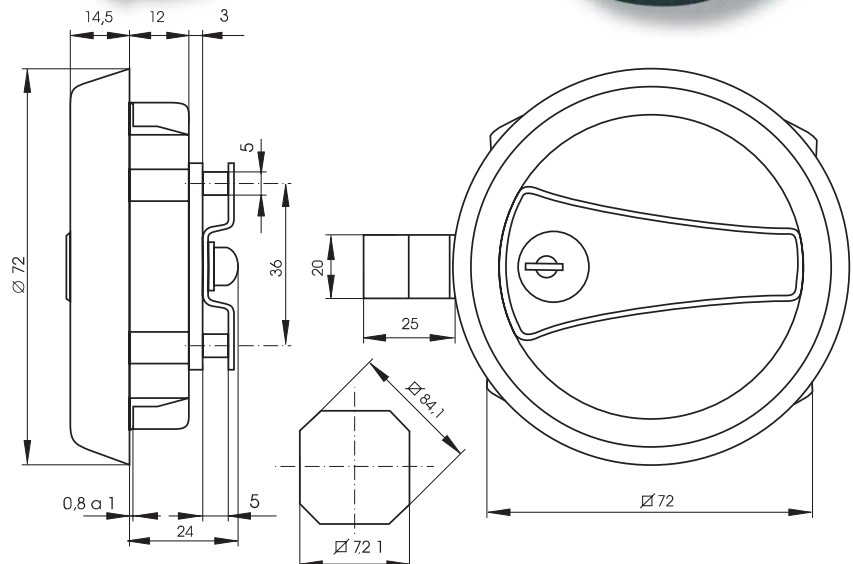
Specification:

Black plastic house
Zamak handle and lock
Keys, cam - steel
400 key combinations or key alike
Master Key system available on request

Finish:

Handle & back plate in chrome plated or handle in aluminium finish and chrome back plate

Item No.: # 14.08.021 etc.



LOCKER HANDLE NO. 180

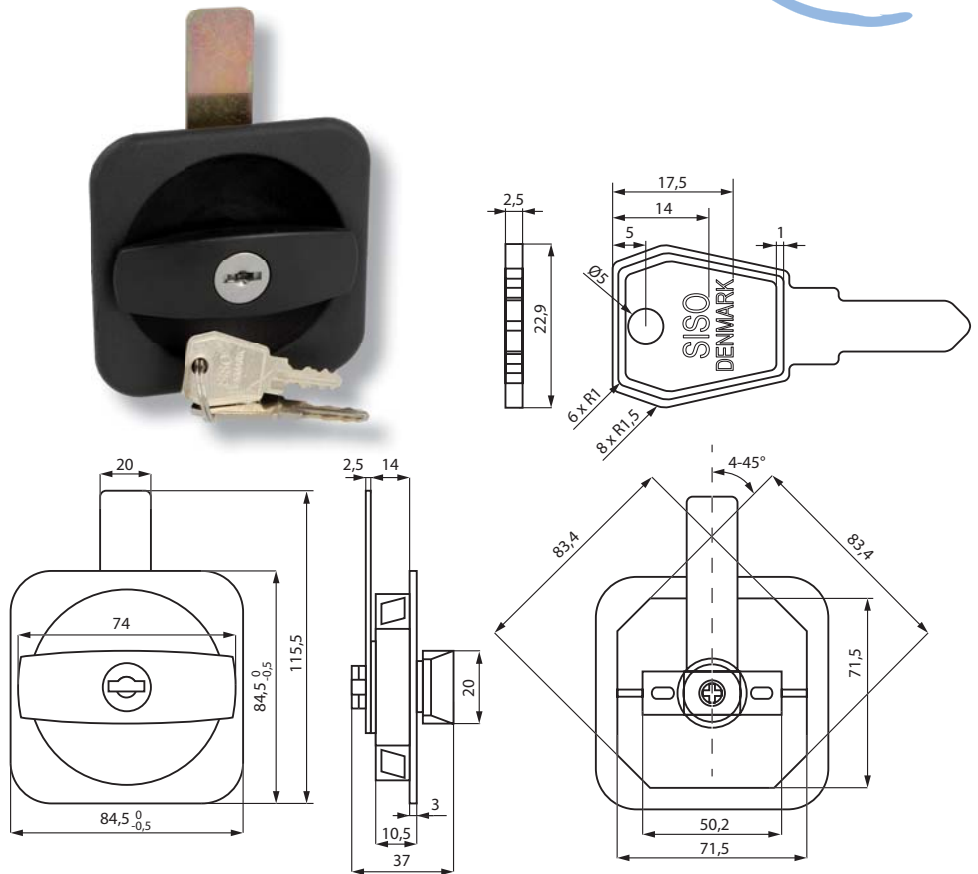


Application:
Steel cabinets lockers & wardrobes.

Description:
Easy snap on mounting
Turn handle 90° to lock/open

Specifications:
Black plastic housing & handle
Zamak cylinder
3 mm cam plate
Extra strong SISO metal keys
400 key combinations

Item No.: # 14.08.030



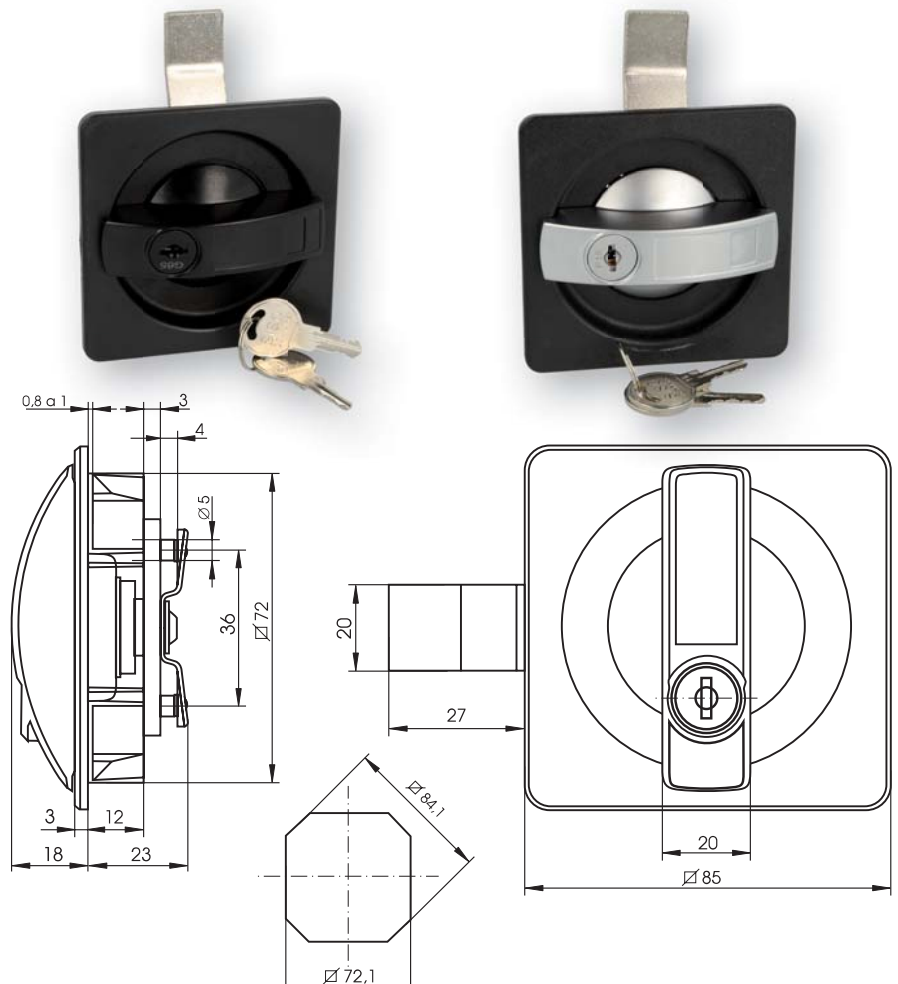
LOCKER HANDLE NO. M-175

Application:
Steel cabinets, lockers & wardrobes

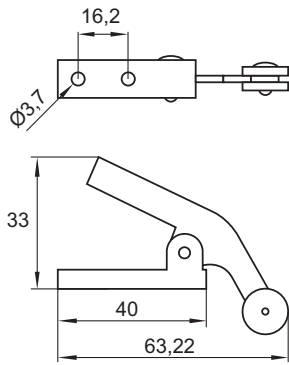
Function:
Easy snap on mounting
Turn handle 90 degree to lock/open
Turn key to lock handle when in closed position

Specifications:
Black plastic housing
Zamak handle & lock
Steel keys & cam
400 key combinations or key alike
Master key system #J11

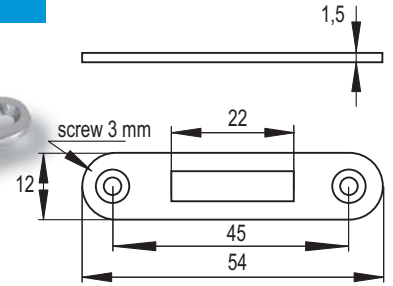
Item No.:
Black body & handle # 14.08.019
Black body & alu handle # 14.08.023



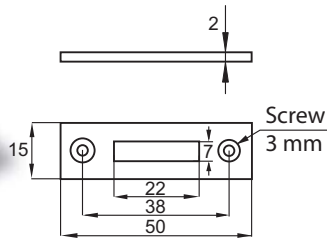
No. # 22.01.019
Automatic Hook Latch
for double door use



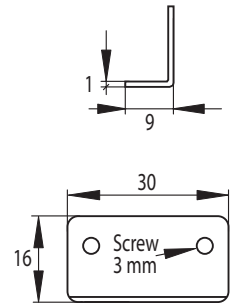
No. # 14.01.472
Striking Plate
for Roll Blind Lock X-2159



No. # 14.01.510
Flat Striking Plate
for Lock 850/855/853

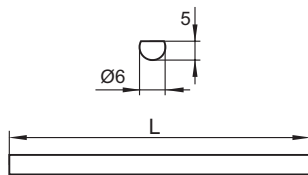


No. # 14.01.064
L-Shape Striking Plate
for Lock 850



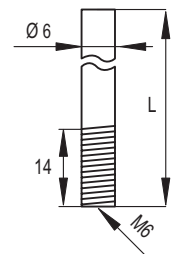
Locking Bars
for Espagnolette Locks

- # 14.05.720 1000 mm Nickel Plated
- # 14.05.723 1000 mm Brass Plated
- # 14.05.724 1000 mm Bronze Plated
- # 14.05.725 1200 mm Nickel Plated
- # 14.05.729 1500 mm Nickel Plated
- # 14.05.730 1500 mm Bronze Plated
- # 14.05.735 2000 mm Nickel Plated

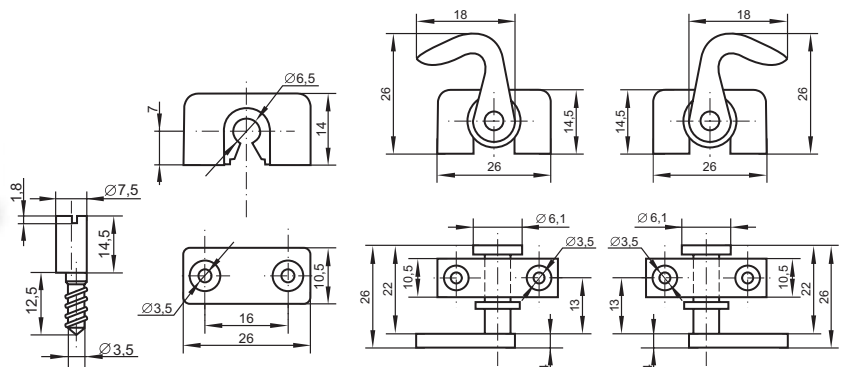
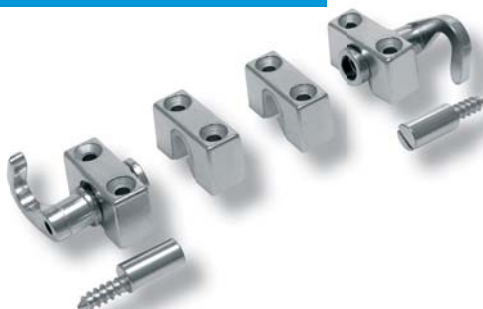


Locking Bars
for Lock 7080

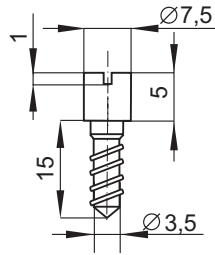
- # 14.05.670 1000 mm Nickel Plated
- # 14.05.671 1200 mm Nickel Plated
- # 14.05.675 2000 mm Nickel Plated



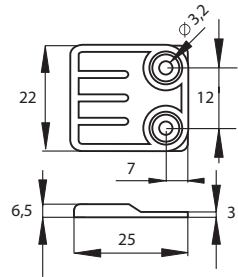
No. # 14.05.740
Accessories:
for Espagnolette Lock
Nickel Plated



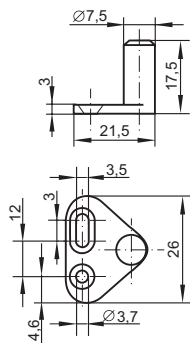
Screw On Stop
centric 5 mm height head
No. # 14.05.875



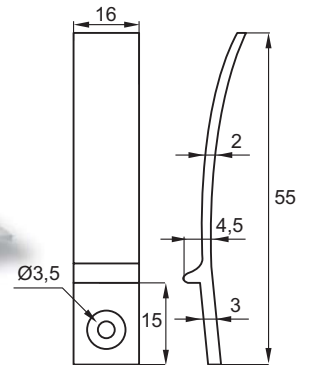
Door Stop, Brown plastic.
Used in connection
w/espagnolette lock
Size: 22 x 25 mm
No. # 14.05.890



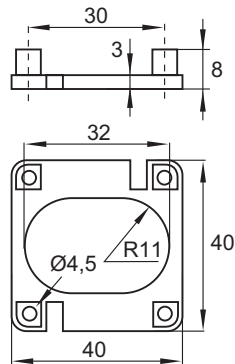
Triangular Locking Bolt
for Espagnolette Lock
No. # 14.05.745 Nickel Plated
No. # 14.05.746 Bronze Plated



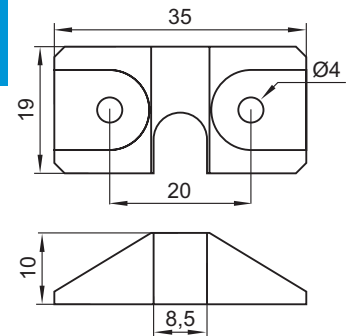
Plastic Drawer Stop
No. # 14.02.000



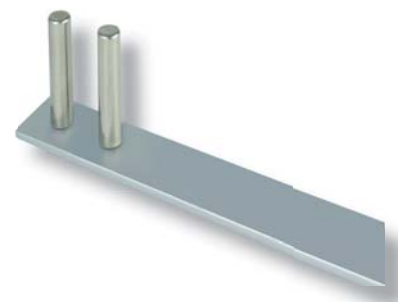
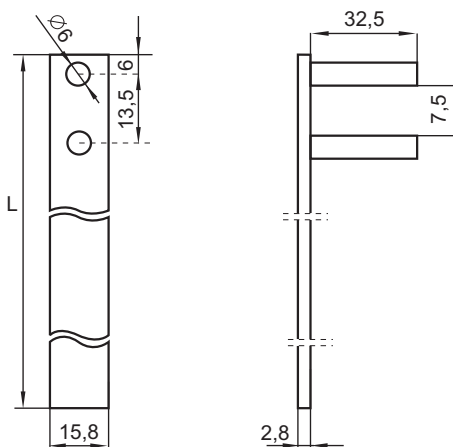
Plastic Spacer
for Lock 850
Transparent Colour
No. # 14.01.091



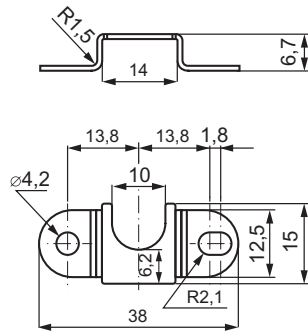
Plastic Drawer Stop
for Central Locks
Black cc 20 mm
No. # 14.02.010



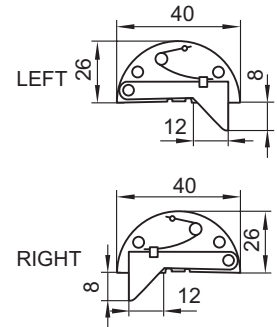
Locking Bar
for Lock 1018
14.04.181 L - 500 mm
14.04.185 L - 600 mm
14.04.190 L - 700 mm
14.04.200 L - 800 mm
14.04.221 L - 1200 mm
14.04.230 L - 1300 mm



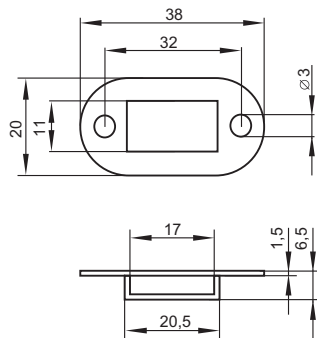
No. # 14.02.011
Metal Drawer Stop
for Central Locks
on metal furniture



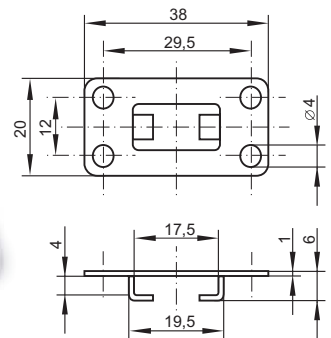
Drawer Stop 913 - A
No. # 14.02.030 Left Hand
No. # 14.02.020 Right Hand



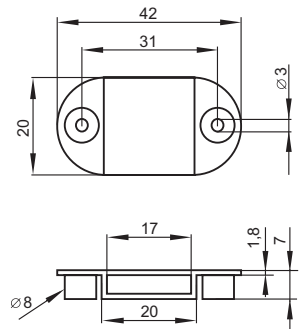
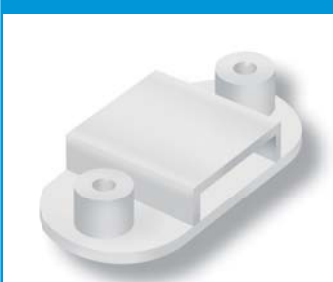
No. # 14.04.089
Plastic Bar Guide
holder for locking bars



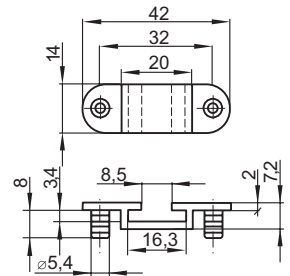
No. # 14.04.091
Metal Bar Guide
holder for locking bars



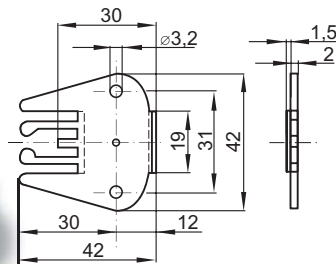
No. # 14.03.285
Plastic Bar Guide
for lay on locking bars



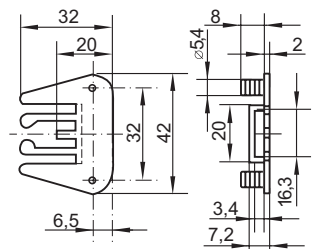
No. # 14.03.286
Plastic bar guide
dark grey
for locking bars



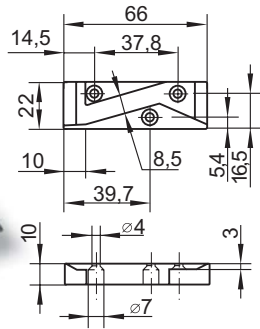
No. # 14.03.280
Plastic Bar Catch
Lyra Shaped Model 1027



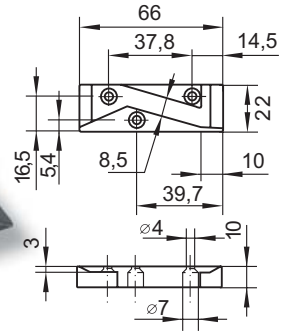
No. # 14.03.281
Plastic bar catch
dark grey
Lyra shaped model 1030



Antitilt Block Plastic Black
Model 1018.030
No. # 14.03.270 Right Hand

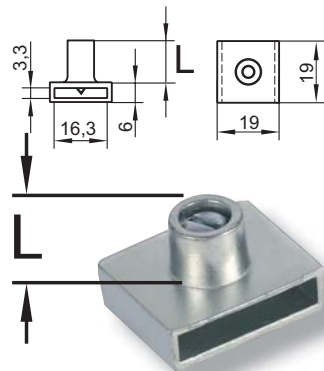


Antitilt Block Plastic Black
Model 1018.030
No. # 14.03.271 Left Hand

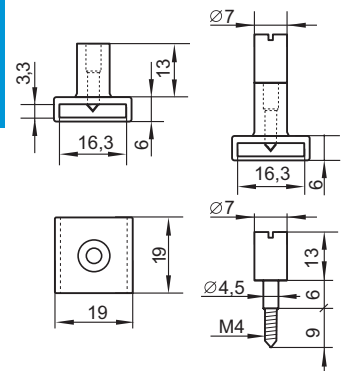


Adjustable Peg
premounted screw

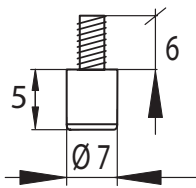
- # 14.04.309 L - 5 mm
- # 14.04.312 L - 6 mm
- # 14.04.310 L - 8 mm
- # 14.04.320 L - 11 mm
- # 14.04.330 L - 13 mm
- # 14.04.350 L - 19 mm



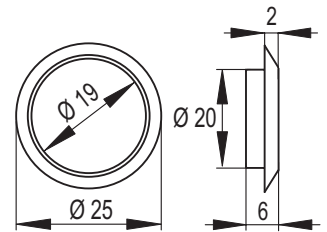
Prolongation Screw 13 mm
for adj. peg. L - 13 mm
No. # 14.04.421



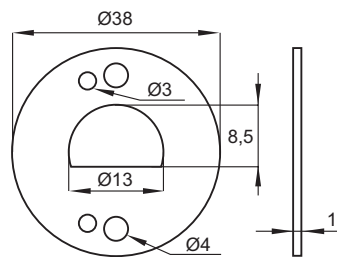
Prolongation Screw
for Push Lock 1003 and 1004
No.: 5 mm # 14.04.418
10 mm # 14.04.419
20 mm # 14.04.420



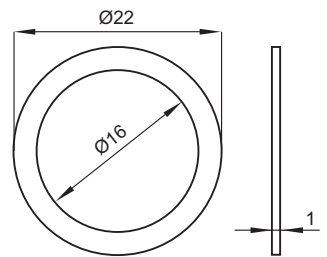
Rosette - 19 mm
Nickel Plated
No. # 14.04.300



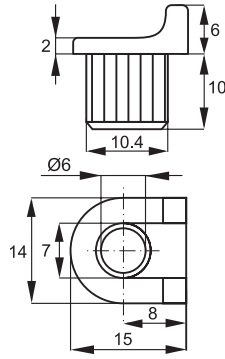
Metal Washer
for Lock 689
No. # 14.09.155



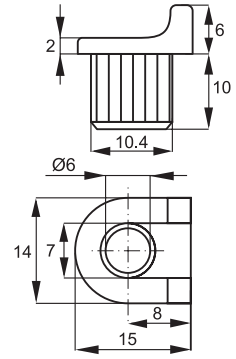
Transparent Washer
OD: 22 mm, ID: 16 mm
thickness - 1 mm
No. # 14.09.301



Knock in Pivot Stop
Zamak
for Lock 689
No. # 14.09.117



Knock in Pivot Stop
Plastic
for Lock 910
No. # 14.09.118



Blank Snake Car Key
No. # 14.04.112



Blank Hinged Car Key
FN2 KEYWAY
No. # 14.04.103



Blank Metal Key
for YALE KEYWAY
Profile Cylinders
No. # 14.04.094



Blank Metal Key
for FAB KEYWAY
Profile Cylinders
No. # 14.04.093



Blank Metal Key
round shape FN2 KEYWAY
No. # 14.04.099



Blank Car Key
single entry F01 KEYWAY
No. # 14.04.102



Loose Cylinders F/System
J#11 & J#12.
All W/SISO Hinged Car Keys.
Key to Differ or Key Alike
No. # 14.03.801 - 14.04.067



Loose Cylinders
F/System #01
All with SISO Snake Keys
Key to differ for Key Alike
No.: # 14.03.300 ect.



Blank Car Key
double entry FN2 KEYWAY
NEW
No. # 14.04.106



Master key
F/System #J11 & #J12

No.
#J11 # 14.04.119
#J12 # 14.04.123



Blank metal Key
F/cam lock 1216.

No. # 14.04.092



Interchangeable key
F/System #J11 & #J12

No.
#J11 # 14.04.127
#J12 # 14.04.129



Short Metal Key
harpoons for knocking into
decorative knobs
No. # 14.04.081



Key Knob
Zamak
Matt Chrome Finish
No. # 14.04.080

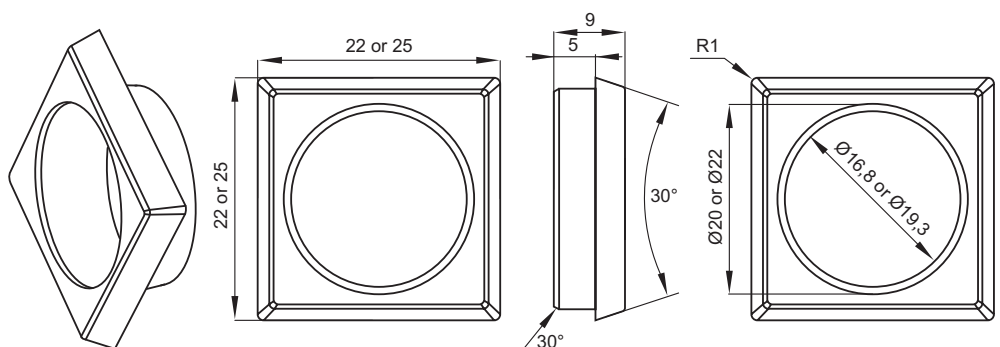
SQUARE ROSETTES

Application:
These square rosettes can be used for locks like model: 850, 1018, 1003, Espagnolette locks etc.

Specifications:
For cylinder $\varnothing 16,5$ and $\varnothing 19$ mm
Size: 22 x 22 mm or 25 x 25 mm
9 mm height

Finish:
Aluminium finish & nickel plated

Item No.:
 $\varnothing 16,5$ mm, NPL # 14.04.302
 $\varnothing 16,5$ mm, ALU # 14.04.303
 $\varnothing 19$ mm, NPL # 14.04.305
 $\varnothing 19$ mm, ALU # 14.04.306



MODEL „AUDIO“

Finish:
Plastic black # 14.09.256

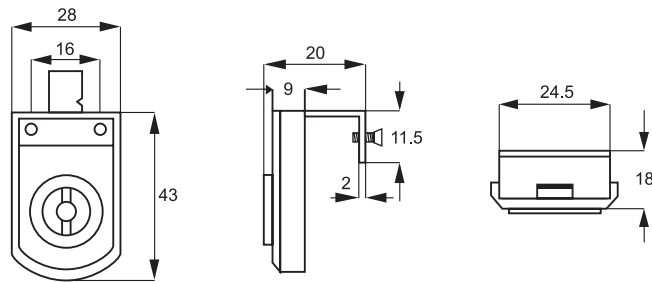
Application:
Hinged glass doors
particularly for audio/hi-fi cabinets
No boring required

Accessories for one set:
1 lock
1 washer
2 screws
2 keys

Function:
Turn key 180°
to lock or unlock

Specification:
Plastic/metal combination
one key change only

Packing:
500 pcs per export carton



GLASS DOOR LOCK VITRIO - HINGED DOORS

MODEL „VITRIO“

Finish:
Chrome plated # 14.09.350
Alu finish # 14.09.352
Gold plated # 14.09.353
Black anodized # 14.09.351
Brass plated # 14.09.360

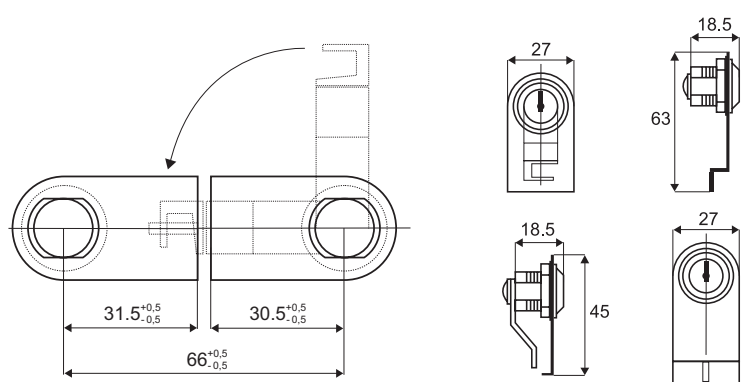
Application:
Double hinged glass doors
Accessories for one set
A) left door
1 decorative cylinder
1 stainless steel front plate
1 hexagonal nut
1 plastic washer
B) right door
1 off-set hook cam
1 stainless steel front plate
1 hexagonal nut
1 plastic washer
2 car keys

Function:
Turn key 90° to lock
or unlock

Specification:
Cylinder zamak
front plates stainless steel
400 key combinations or key alike

Option:
Master key system

Packing:
300 pcs per export carton
25 pcs per box



MODEL #689

Finish:

Chrome plated	# 14.09.130
Mat nickel plated	# 14.09.131
Gold plated	# 14.09.129
Alu finish	# 14.09.132
Black anodized	# 14.09.136

Application:

Glass hinged doors 4-6 mm
Bore: Ø 26 mm

Accessories for one set:

- 1 cylinder lock
- 5 plastic washer
- 1 zamak stopper
- 2 car keys, double entry

Function:

Turn key 180° to lock
or unlock - w/click sound

Specification:

Zamak
400 key combinations or key alike
Master key & Interchangeable
system available on request

Option:

Master key
and interchangeable system

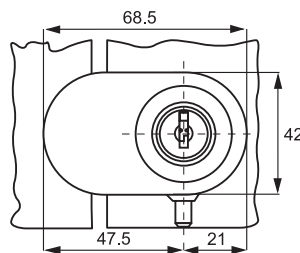
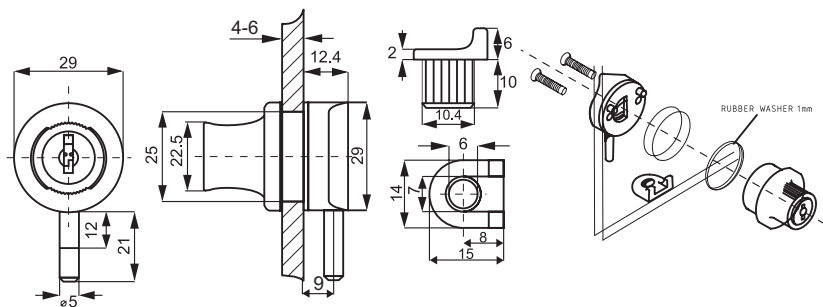
Packing:

20/200 pcs per box

Option:

Lock can be supplied special
designed plate for double hinged
door

Chrome plated	# 14.09.170
Mat nickel plated	# 14.09.171
Alu finish	# 14.09.172
Gold plated	# 14.09.173



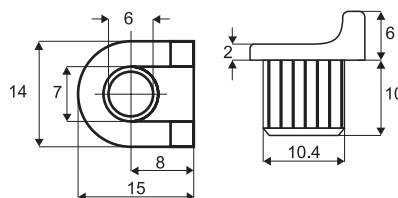
DOOR STOPPER

DOOR STOPPER w/hole

Finish: black plastic # 14.09.118

Application: inset glass door
hinged

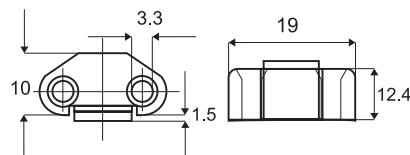
Recommended to use locks
X-689 and 910 (as a stopper and
striking plate)



DOOR STOPPER w/bumper

Finish: black plastic # 14.09.105

Application: glass door hinged
Recommended to use lock 0914



MODEL #910

Finish:

Chrome plated # 14.09.108

Application:

Glass hinged doors 4-6 mm
Bore \varnothing 25 mm

Accessories for one set:

1 cylinder lock
5 washer (plastic & rubber)
2 metal keys, double entry

Function:

Turn key 180° to lock or unlock
- w/click sound

Specification:

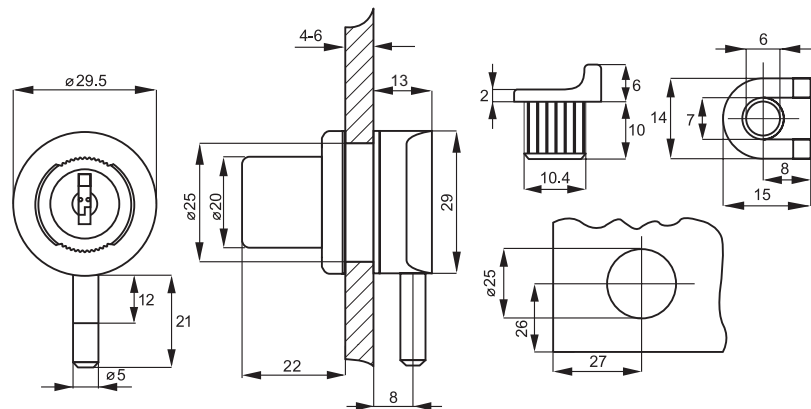
Zamak
400 key combinations or key alike
Master key & Interchangeable
system available on request

Options:

Master key and
interchangeable system

Packing:

240 pcs per export carton



GLASS DOOR LOCK MODEL "SAFE" SINGLE DOOR, HINGED

MODEL „SAFE“

Finish:

Chrome plated # 14.09.320

Application:

Single glass door, hinged
Bore \varnothing 19 mm

Accessories for one set:

1 cam lock
1 hexagonal nut
1 plastic washer
1 straight cam
1 front plate
1 flat striking plate
2 car keys, double entry

Function:

Turn key 90°
to lock or unlock - w/click sound

Specification:

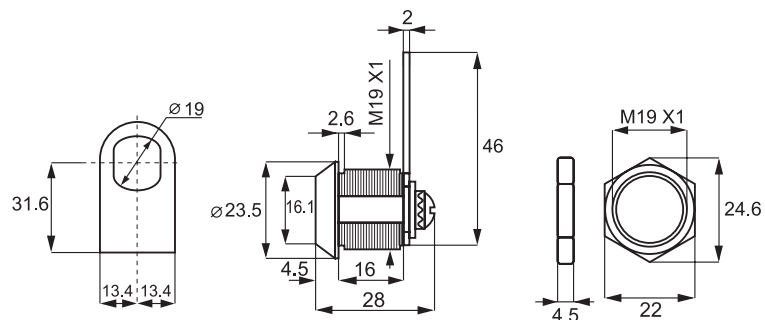
Zamak
400 key combinations or key alike
Master key & Interchangeable
system available on request

Option:

Master key system

Packing:

12 pcs per box
240 pcs per export



GLASS DOOR LOCK NO. 916

DOUBLE OR SINGLE DOORS, HINGED



MODEL X-916

Finish:

Black anodized # 14.09.047
 Chrome plated # 14.09.048
 Gold plated # 14.09.049

Application:

Hinged glass doors 4-6 mm
 Bore \varnothing 19 mm

Accessories for one set:

1 cam lock
 1 straight steel cam
 1 plastic washer + 1 hex nut
 1 flat striking plate:
 11 x 57 mm
 2 car keys, double entry
 1 front plate zamak

Function:

Turn key 180° to lock
 or unlock - w/click action

Specification:

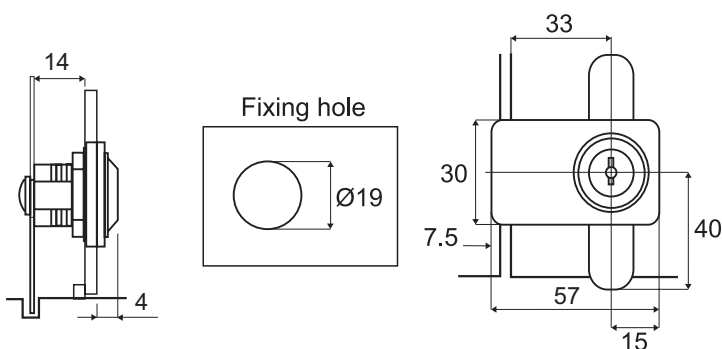
Plate & house: zamak
 400 key combinations or key alike
 Master key & Interchangeable
 system available on request

Option:

Master key system

Packing:

12 pcs per box
 240 pcs per export carton



GLASS DOOR LOCK NO. 917, NO BORE - DOUBLE DOORS, HINGED

MODEL #917

Finish:

Chrome plated # 14.09.220
 Gold plated # 14.09.226
 Alu finish # 14.09.223

Application:

Double glass doors, hinged
 No boring required

Accessories for one set

1 lock w/large front plate
 2 fastening screws
 1 flat striking plate
 2 car keys double entry
 1 plastic distance plate

Optionals:

Door stopper # 14.09.118
 Spring stopper # 14.09.119

Function:

Turn key 180° to lock
 and reverse to unlock

Specification:

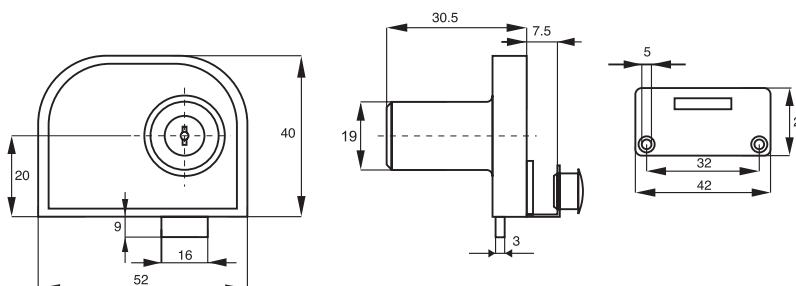
Zamak
 400 key combinations or key alike
 Master key & Interchangeable
 system available on request

Option:

Master key
 and interchangeable system

Packing:

12 pcs per box
 240 pcs per export box carton



MODEL X-907

Finish:

Chrome plated	# 14.09.417
Mat nickel plated	# 14.09.416
Gold plated	# 14.09.418
Black anodized	# 14.09.419

Application:

Glass sliding doors

Accessories:

- 1 lock
- 2 car keys, double entry
- 2 transparent washers

Function:

Push and turn key
90° to lock or unlock

Specification:

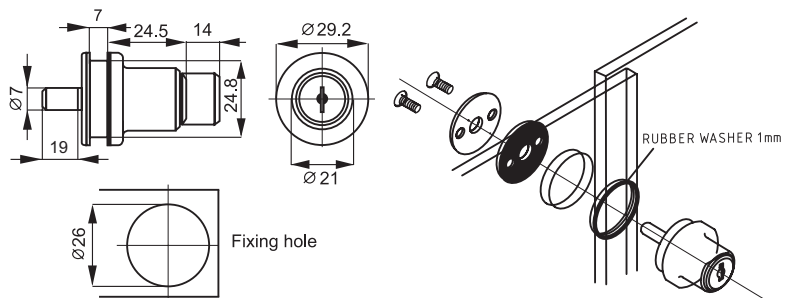
Zamak
400 key combinations or key alike
Master Key system available
on request

Options:

Master key system

Packing:

200 pcs per box



BRASS GLASS DOOR LOCK "SWAN" FOR 8-10 MM GLASS

MODEL „SWAN“

Finish:

Gold plated	# 14.09.000
Chrome plated	# 14.09.001

Material:

Brass

Consists of:

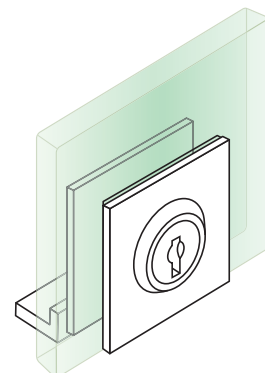
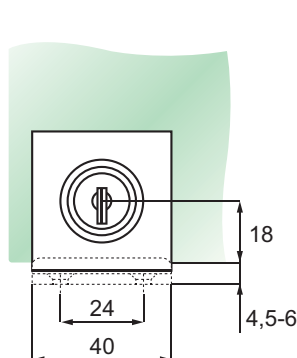
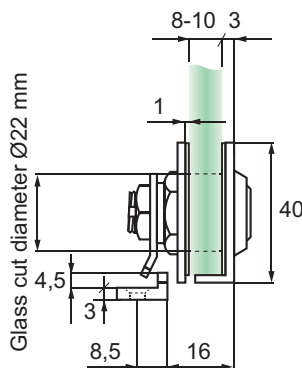
- 1 cylinder $\varnothing 20 \times 23$ mm
- 1 front plate w/bottom support
40 x 40 mm
- 1 back plate 40 x 40 mm
- 2 SISO metal keys, key alike
- 2 transparent cushions
- 1 hexagonal nut
- 1 off-set brass cam
- 1 raised brass striker

Function:

Turn key 180° to lock or unlock

Packing:

100 pcs per export carton



GLASS DOOR LOCK NO. 64081

SINGLE DOOR, HINGED



MODEL #64081

Finish:

Chrome plated # 14.09.210
 Gold plated # 14.09.211
 Black anodized # 14.09.212

Application:

Single glass door, hinged
 No boring required

Accessories for one set:

1 lock w/front plate
 2 fastening screws
 1 flat striking plate
 2 car keys double entry
 1 plastic distance plate

Function:

Turn key 180° to lock
 and reverse to unlock

Specification:

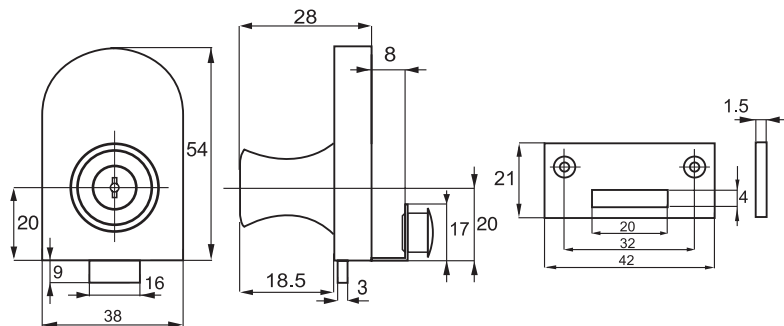
Zamak
 400 key combinations
 or key alike
 Master key & Interchangeable
 system available on request

Option:

Master key
 and interchangeable system

Packing:

20 pcs per box
 200 pcs per export carton



GLASS DOOR LOCK NO. 918

MODEL No. 918

Finish:

Chrome plated # 14.09.217
 Alu finish # 14.09.217-1

Application:

Single glass doors, hinged
 No boring required

Accessories for one set:

1 lock w/front plate
 2 fastening screws
 1 flat striking plate
 2 car keys double entry
 1 plastic distance plate

Optionals:

Door stopper # 14.09.118
 Spring stopper # 14.09.119

Function:

Turn key 180°
 to lock and reverse to unlock

Specification:

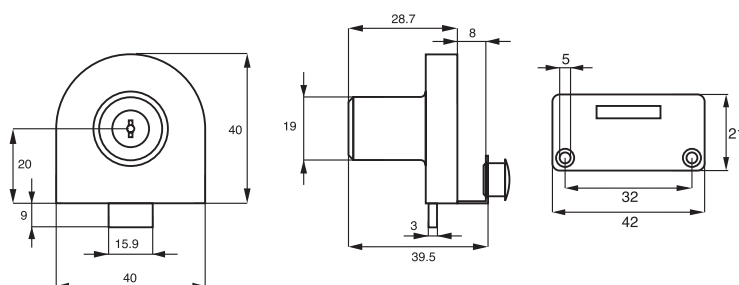
Zamak
 400 key combinations or key alike
 Master key & Interchangeable
 system available on request

Option:

Master key
 and interchangeable system

Packing:

12 pcs per box
 240 pcs per export carton



MODEL „STRIKER“

Finish:

Chrome plated # 14.09.246
Alu finish # 14.09.247
Gold plated # 14.09.248

Application:

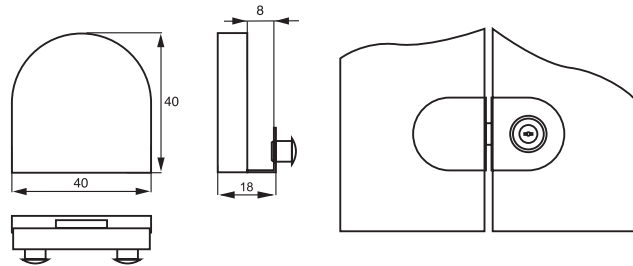
Single glass door, hinged
No boring required

Accessories for one set:

1 lock w/front plate
2 fastening screws
1 flat striking plate
1 plastic distance plate

Packing:

24 pcs per box
240 pcs per export carton



GLASS DOOR LOCK "VETRO"

MODEL „VETRO“

Finish:

Chrome plated # 14.09.261
Gold plated # 14.09.260
Black anodized # 14.09.262

Application:

Single glass door, hinged
No boring required
Max 8 mm glass thickness

Accessories for one set:

1 lock w/front plate:
2 fastening screws
1 flat striking plate
2 car keys double entry
1 plastic distance plate

Function:

Turn key 180° to lock
and reverse to unlock

Specification

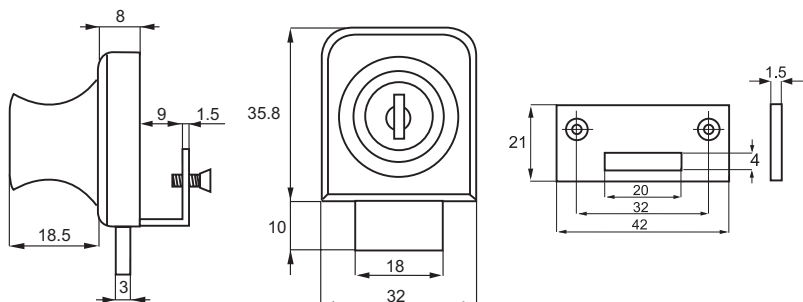
Zamak
400 key combinations
or key alike
Master key & Interchangeable
system available on request

Option:

Master key
and interchangeable system

Packing:

24 pcs per box
240 pcs per export carton



"VETRO-DOUBLE" FOR SINGLE & DOUBLE DOORS, HINGED



MODEL „VETRO-DOUBLE“

Finish:

Chrome plated # 14.09.270
Gold plated # 14.09.271
Black anodized # 14.09.272

Application:

Double glass doors, hinged
No boring required
Max 8 mm glass thickness

Accessories for one set:

1 lock w/front plate
2 fastening screws
1 flat striking plate
2 car keys double entry
1 plastic distance plate

Optionals:

Door stopper # 14.09.118
Spring stopper # 14.09.119

Function:

Turn key 180°
to lock and reverse to unlock

Specification:

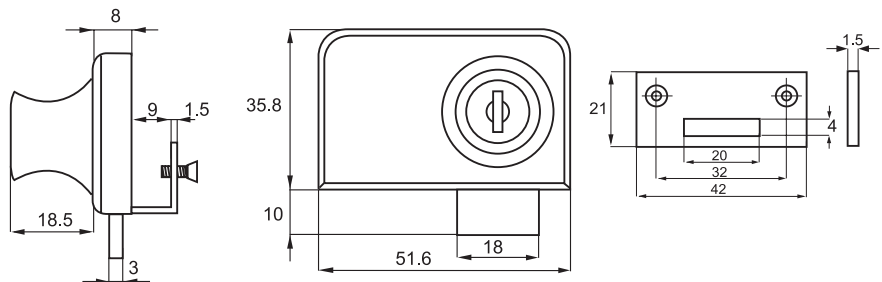
Zamak, 400 key combinations
or key alike
Master key & Interchangeable
system available on request

Option:

Master key
and interchangeable system

Packing:

24 pcs per box
240 pcs per export carton



GLASS DOOR LOCK "MINI" SLIDING DOORS

MODEL „MINI“

Finish:

Chrome plated

Application:

Glass sliding door

Accessories for one set:

1 lock
2 car keys
1 nut

Function:

to lock - push the cylinder
to unlock - turn key

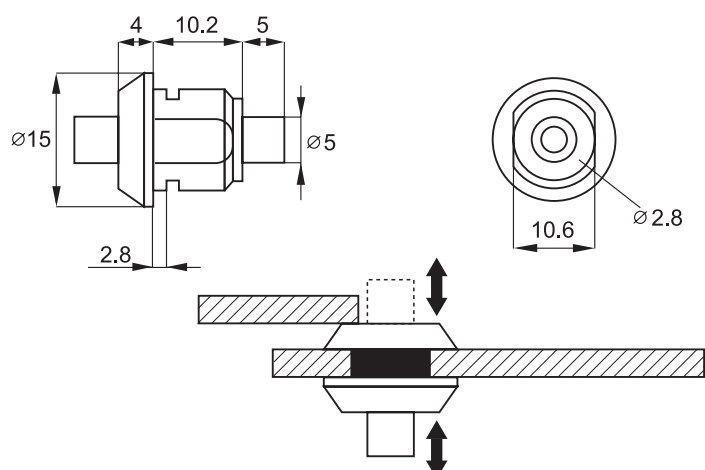
200 key combinations # 14.03.040
key alike # 14.03.041

Options:

15 000 key combinations

Packing:

100 pcs per box
5 box per export carton



Model 750

Finish:

Chrome Pl. - 100 mm - KD # 14.09.025
 Chrome Pl. - 100 mm - KA # 14.09.012
 Chrome Pl. - 135 mm - KD # 14.09.030
 Chrome Pl. - 135 mm - KA # 14.09.013

Application:

Glass sliding doors

Accessories for one set:

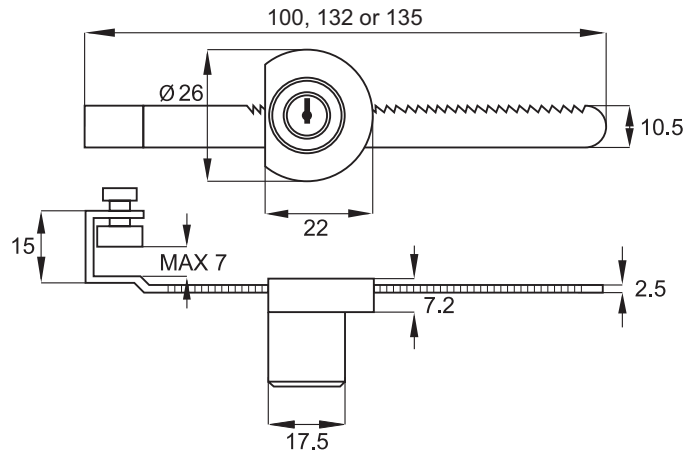
1 removable lock
 1 ratchet 100 or 135 mm
 1 screw w/protection pad
 2 metal keys

Function:

Push the ratchet into the flat end of the lock
 Turn key 180° and remove key to activate the lock

Specification:

Zamak lock body
 Steel ratchet & keys
 25 key combinations



GLASS DOOR LOCK C409 SLIDING DOORS

MODEL C409

Finish:

Zamak, chrome plated

Application:

Glass sliding doors

Accessories for one set:

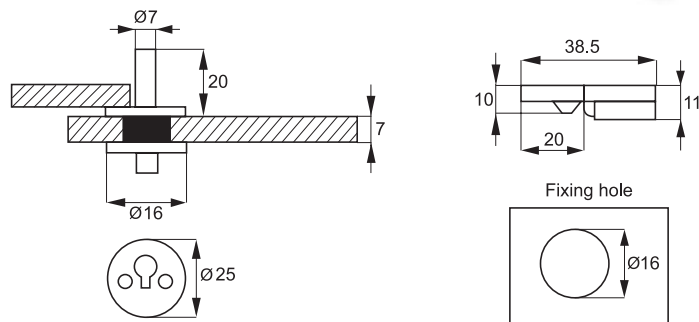
1 plug-in zamak cylinder
 1 zamak housing (2 parts)
 3 transparent PVC washers
 2 steel screws
 2 brass keys

Function:

Place cylinder into lock case, turn and remove key, key removable in locked position only

Specification:

Brass lock
 25 key combinations # 14.09.300
 or key alike # 14.09.315



SOFT PLUG F/SLIDING DOOR LOCK C409

Application:

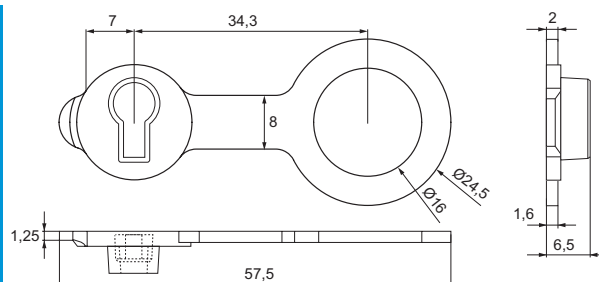
For lock C409 to seal the cylinder hole when not locked.

Specifications:

Grey silicon RAL 7010

Item No.:

14.09.303



PUSH BUTTON LOCK NO. 8600 FOR DOUBLE SLIDING GLASS DOORS



MODEL # 8600

Finish:

Chrome plated # 14.09.420
Alu finish # 14.09.423
Chrome w/Master key # 14.09.422

Application:

Double sliding glass doors
on alu rails

Accessories:

1 lock cylinder 22 mm
1 grub screw for fastening
2 metal keys, double entry

Function:

Push cylinder to lock
Turn key to unlock

Specification:

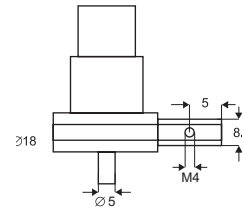
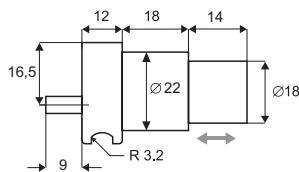
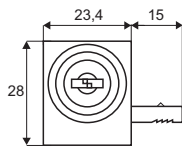
Zamak house: 28 x 24 x 12 mm
400 key combinations or key alike
Master Key system available
on request

Option:

Master key

Packing:

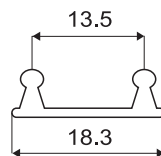
250 pcs per export carton
25 pcs per box



ACCESSORIES

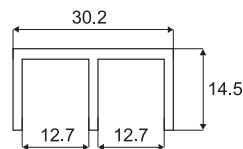
BOTTOM TRACK

Aluminium:
Anodized # 22.26.030
Standard length: 2 metres



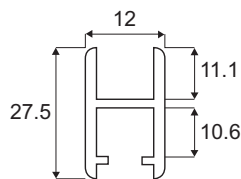
TOP E-TRACK

Aluminium:
Anodized # 22.26.010
Standard length: 2 metres

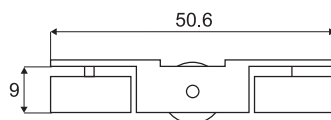


GLASS H-RAIL

Aluminium:
Anodized # 22.26.020
Standard length: 2 metres
For 5 - 6 mm glass thickness



TROLLEY w/Nylon Wheels
Nickel plated # 22.26.040
Load capacity: 3 kg



U-SPLINE PLASTIC # 22.26.060
Rolls of 100 mts

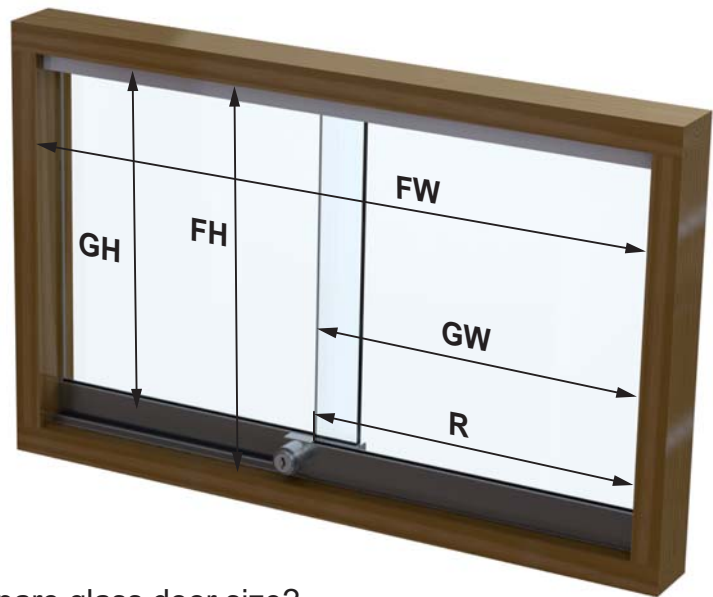
SILENCER # 22.26.070
Plastic, clear
Bags of 100 pcs

END CAP ZAMAK
Chrome plated # 22.26.050
Alu finish # 22.26.049

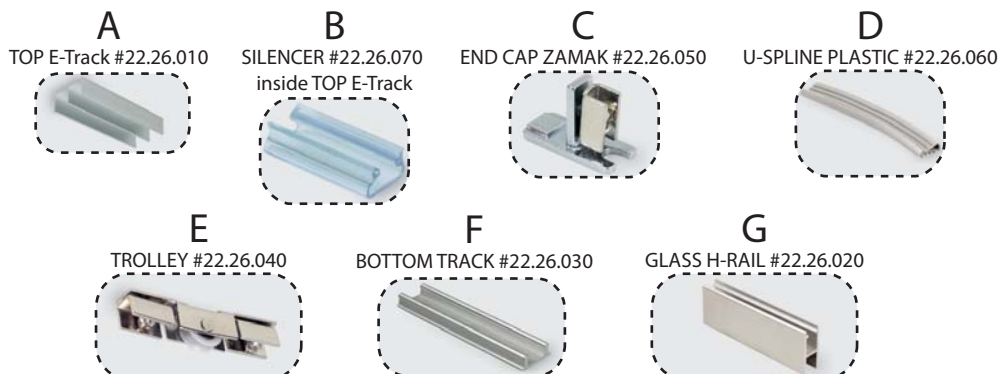
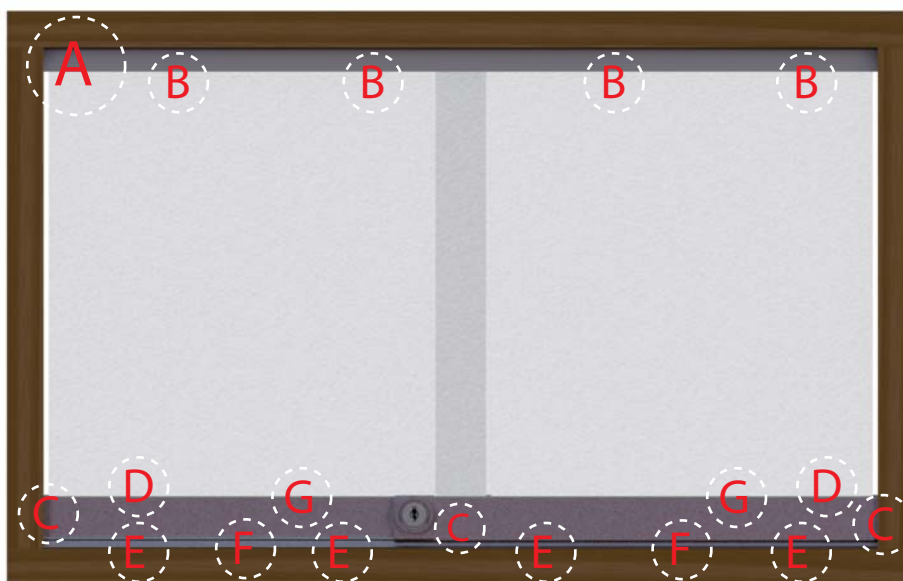
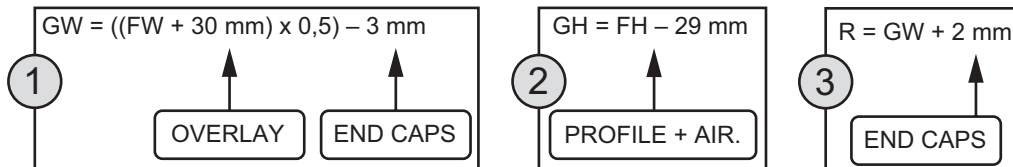


SYSTEM #8600

FW = Frame width (inside measurement)
 GW = Glass width
 FH = Frame height (inside measurement)
 GH = Glass height
 R = Rail length



How to prepare glass door size?



PUSH BUTTON LOCK NO. 2010 F/DOUBLE SLIDING GLASS DOORS



MODEL #2010

Finish:

Alu finish	# 14.09.460
Chrome plated	# 14.09.461
Gold mat plated	# 14.09.463
Gold bright plated	# 14.09.462

Application:

Double sliding glass doors
premounted on aluminium frame

Accessories for one set:

- 1 cylinder push lock $\varnothing 22$ mm
- 1 universal bottom part
premounted for insertion
into H-rail on left or right side
- 2 grub screws for fastening onto the
h-rail
- 5 allen keys for every
20 lock sets for tightening the grub
screws
- 2 car keys, double entry

Function:

Push cylinder to lock
and turn key to unlock

Specification:

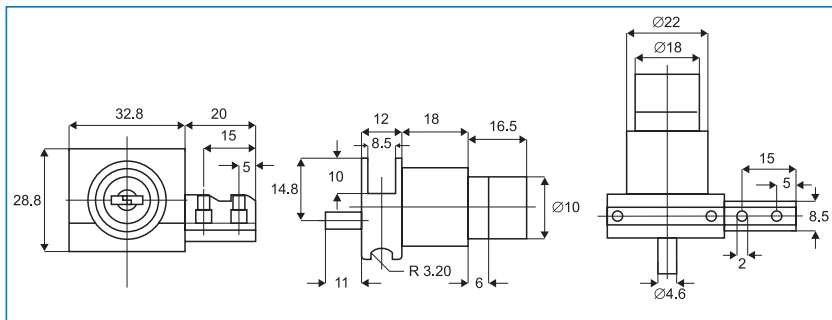
Zamak 400 key combinations
or key alike
Master Key system available
on request

Option:

Master key system

Packing:

200 pcs per export carton
20 pcs per box



ACCESSORIES

U-SPLINE

PLASTIC # 22.26.060

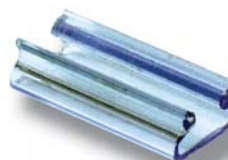
Rolls of 100 mts

SILENCER # 22.26.070

Plastic, clear
Bags of 100 pcs

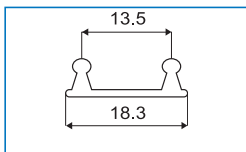
END CAP ZAMAK

Chrome plated # 22.26.051
Alu finish # 22.26.052



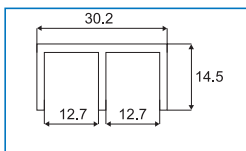
BOTTOM TRACK

Aluminium:
Anodized # 22.26.030
Standard length: 2 metres



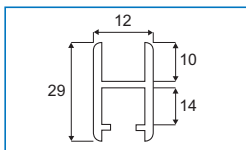
TOP E-TRACK

Aluminium:
Anodized # 22.26.010
Standard length: 2 metres

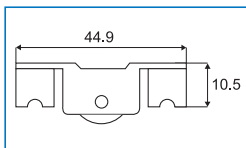


GLASS H-RAIL

Aluminium:
Anodized # 22.26.021
Standard length: 2 metres
For 5 - 6 mm glass thickness

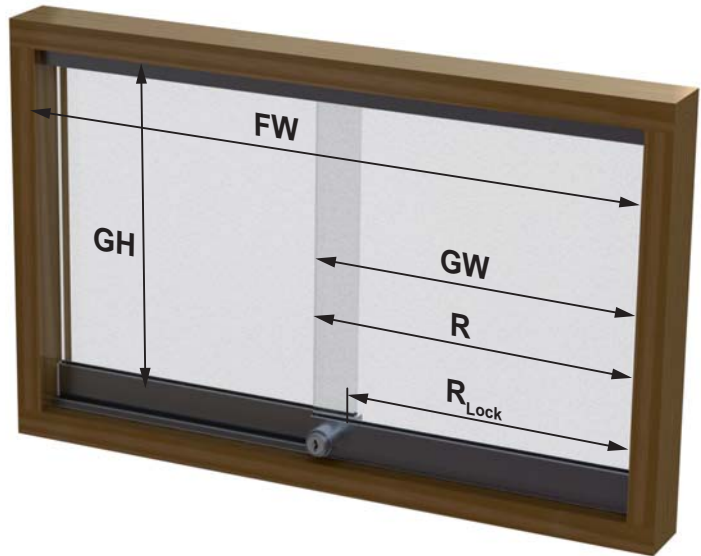


TROLLEY w/Nylon Wheels
Nickel plated # 22.26.041
Load capacity: 3 kg

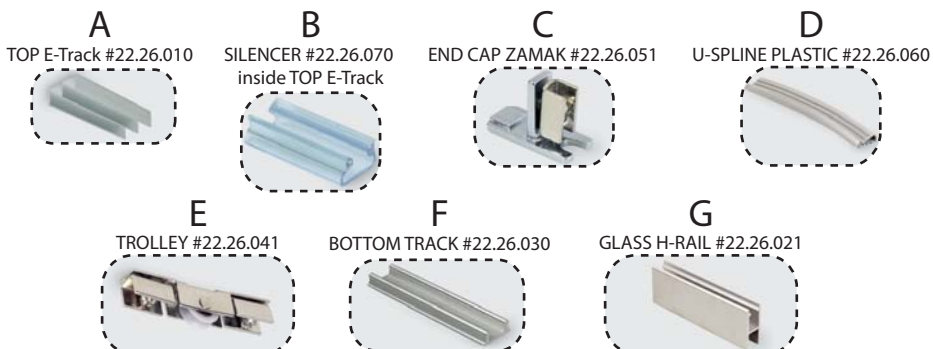
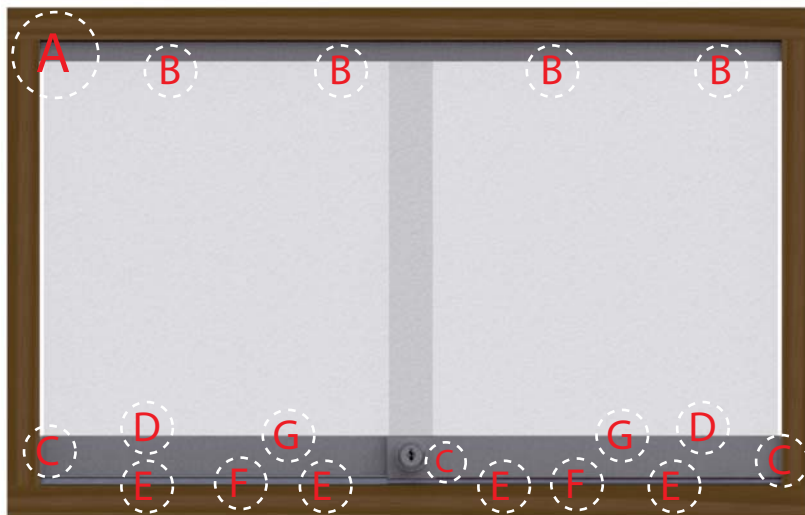
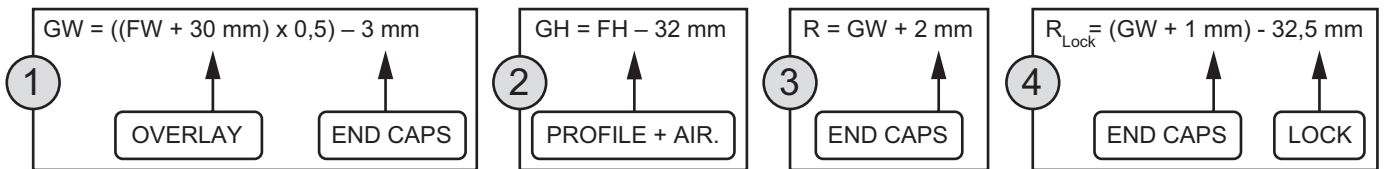


SYSTEM #2010

- FW = Frame width (inside measurement)
- GW = Glass width
- FH = Frame height (inside measurement)
- GH = Glass height
- R = Rail length
- R_{Lock} = Rail length for lock



How to prepare glass door size?



PUSH BUTTON LOCK NO. 2740 W/STRIKER

Application:

Double sliding glass doors
Premounted on aluminium frame

Function:

Push & turn cylinder key to lock
& turn key to unlock.
Can be installed into H-rail
on left or right side

Specification:

Zamak 400 key combinations
or key alike
Master Key system available
on request

One set consists of:

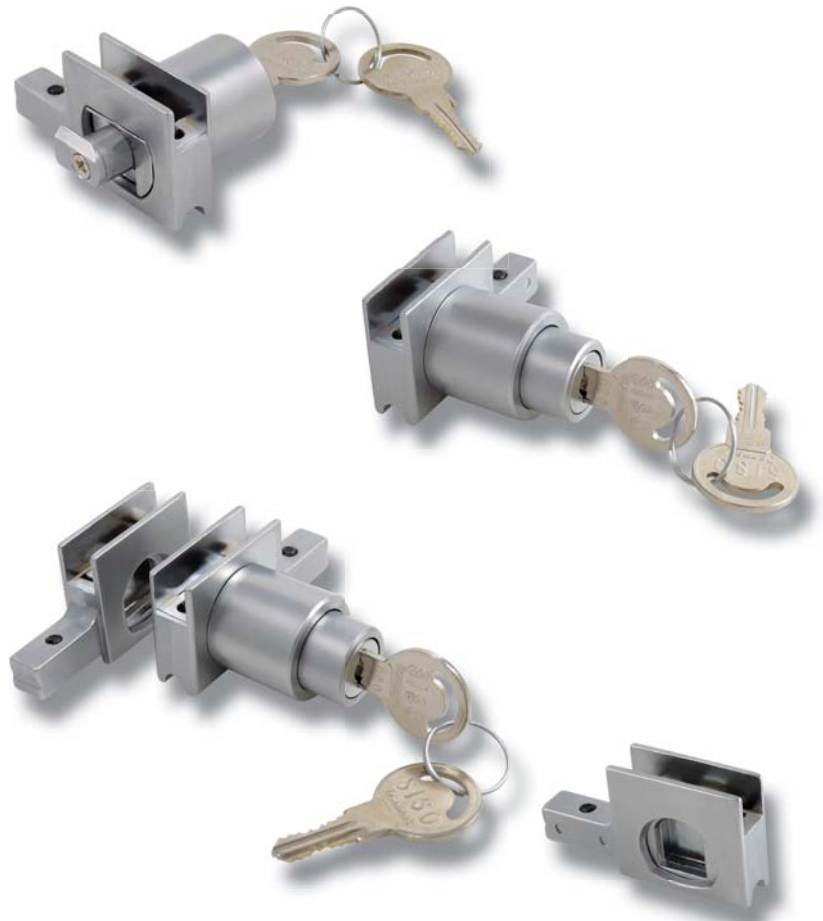
- 1 cylinder push lock \varnothing 22 mm
hook pin
- 1 striker
- 2 round SISO metal keys, double
entry
- 1 hex key 2 mm
- 2 grub screws for fastening
onto the H-rail

Lock # 2740 w/striker:

- Alu finish - key to differ # 14.09.440
- Alu finish - key alike # 14.09.441
- Alu finish - w/master key # 14.09.442

Packing:

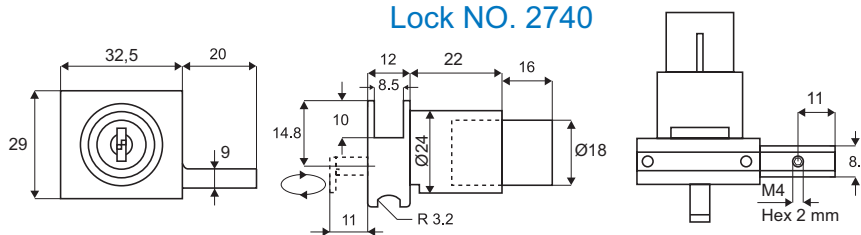
- 150 pcs per export carton
- 15 pcs per box



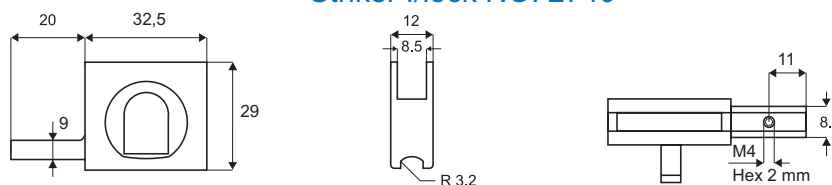
Not for sale in Germany, Austria, Norway & Spain



Lock NO. 2740

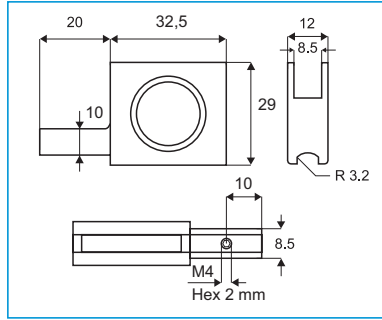


Striker f/lock NO. 2740



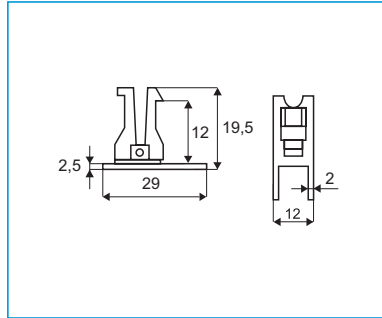
Glass door handle - Plastic

Alu finish # 14.09.445
F/fixing on H-rail w/grub screw



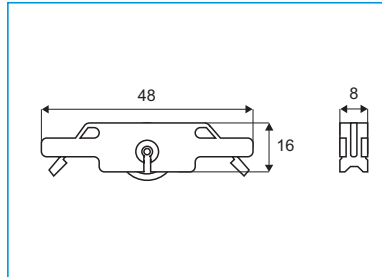
End cap - Plastic

Alu finish # 22.26.053
F/pressing into H-rail



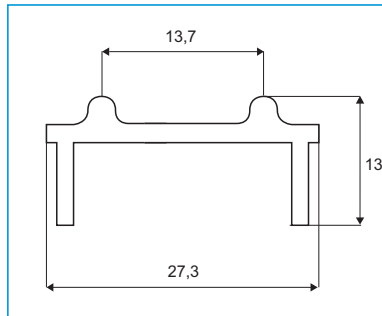
Trolley - w/ball bearing

Zinc plated # 22.26.042
F/fixing on H-rail be use of tool # 22.26.08
Load capacity: 5 kg pr. trolley



Bottom frame track

Aluminium # 22.26.032
Anodized
2 metres length



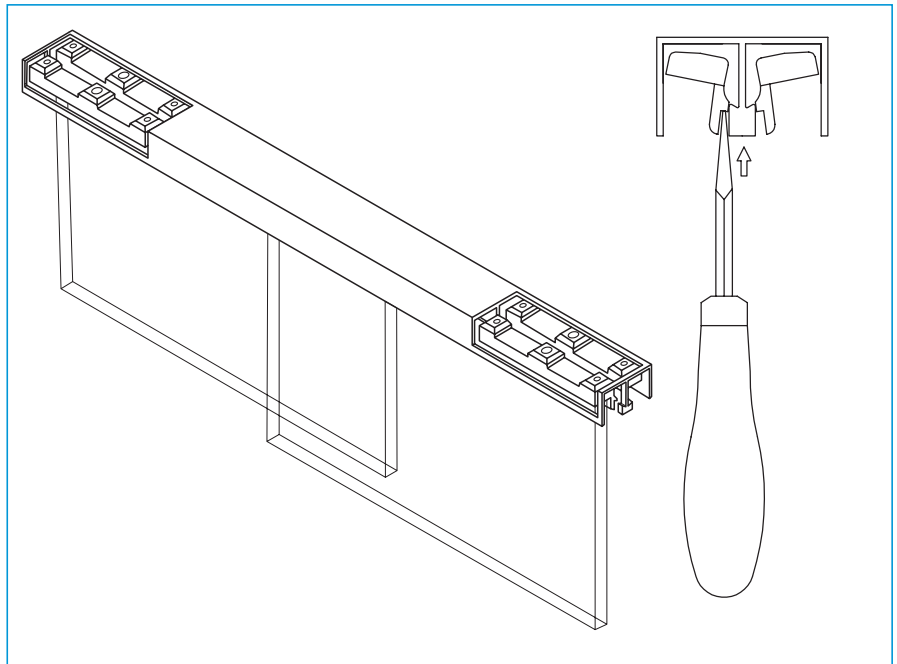
Tool for fixing trolley

Blue # 22.26.080



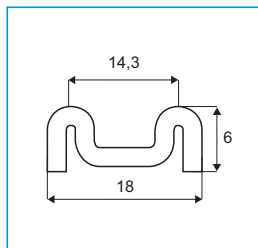
Anti-lift stopper - Plastic

Transparent # 22.26.075
F/pressing into top E-track to prevent lifting of glass



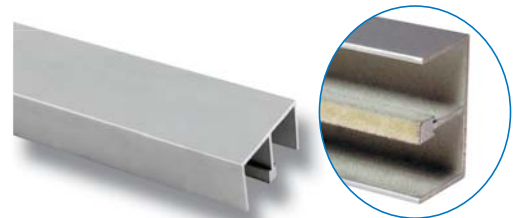
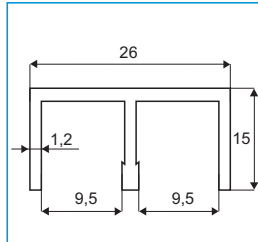
Bottom Track

Aluminium # 22.26.031
Anodized
2 metres length



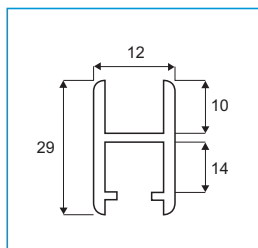
Top E-track felt

Aluminium # 22.26.011
Anodized
2 metres length



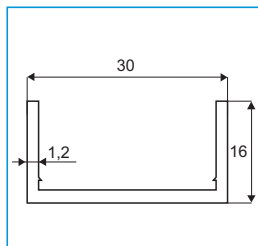
Glass H-rail f/ 5 - 6 mm glass

Aluminium # 22.26.023
Anodized
2 metres length



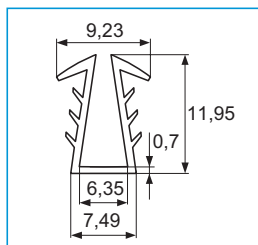
Side & bottom frame track

Aluminium # 22.26.025
Anodized
2 metres length

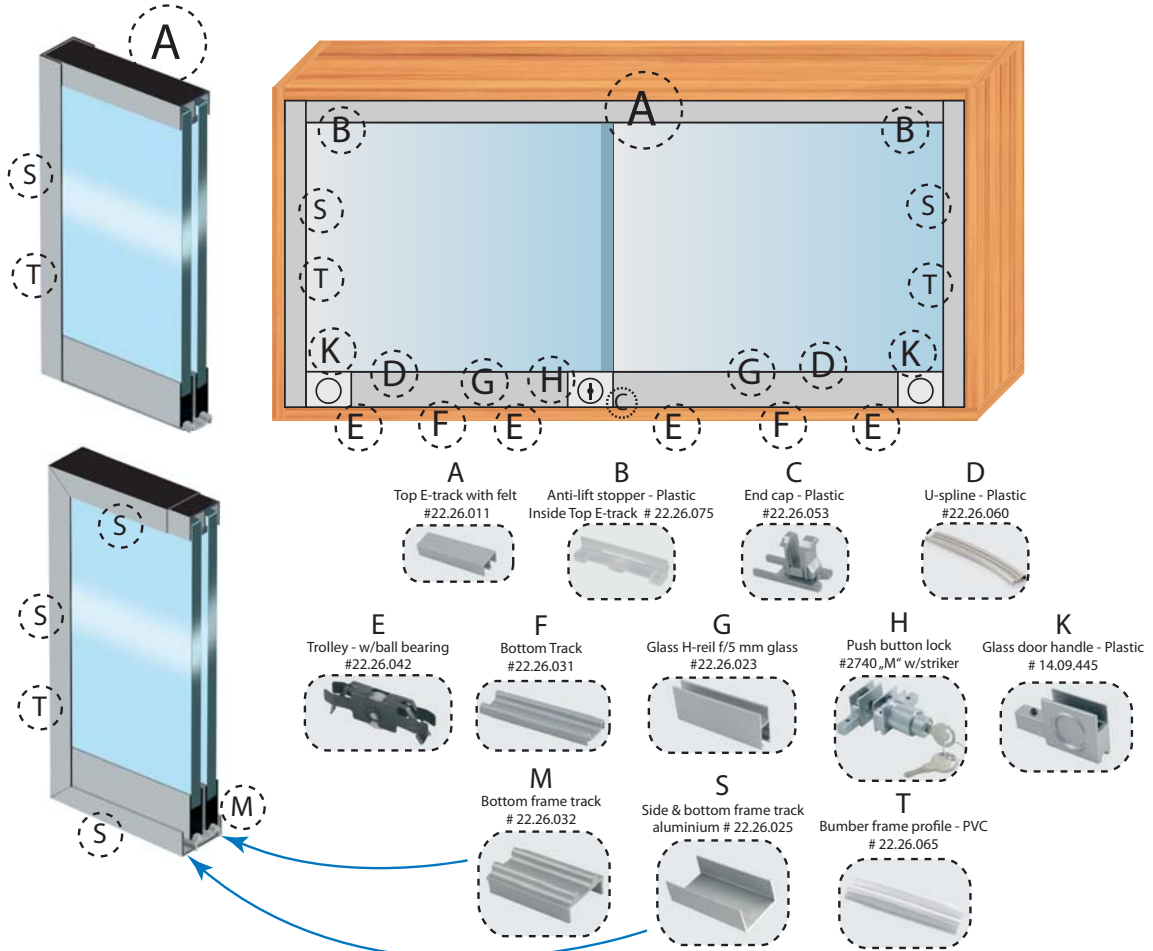
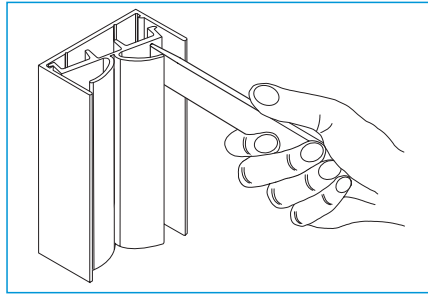


U-SPLINE PLASTIC

Grey color #22.26.060
Rolls of 100 meters



Bumper frame profile - PVC
Transparent # 22.26.065
2 metres length



#2740 MODEL

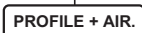
With frame and high bottom rail (like on picture):

$$GW = ((W - 2,50 \text{ mm}) + 30 \text{ mm}) \times 0,5$$



With bumpers at the sides deduct 10 mm from the GW result.

$$GH = H - 40 \text{ mm}$$



Without frame and with low bottom rail:

$$GW = (W + 30 \text{ mm}) \times 0,5$$

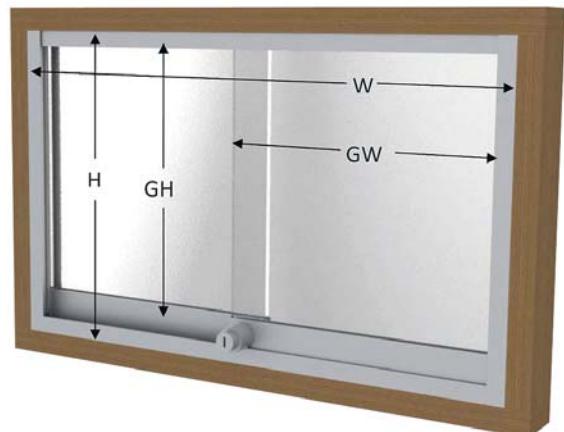


With bumpers at the sides deduct 10 mm from the GW result.

$$GH = H - 32 \text{ mm}$$



W = Inside width of frame
GW = Glass width
H = Inside height of frame
GH = Glass height



DOOR BAR HANDLE LOCKS SS-304 F/GLASS DOORS



Application:

For locking of glass doors by use of key or turn knob. Suitable for 8-12 mm glass

Specifications:

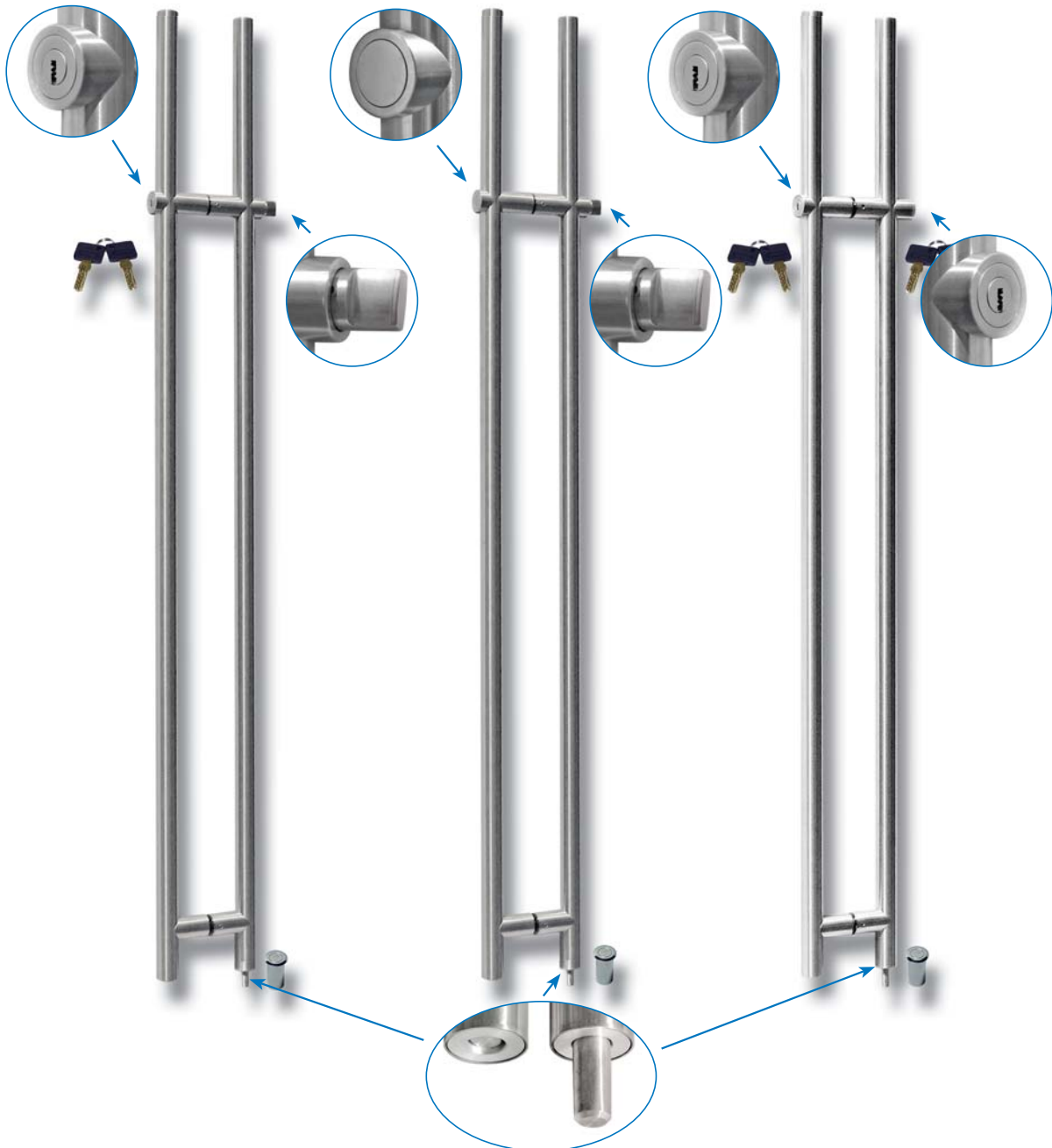
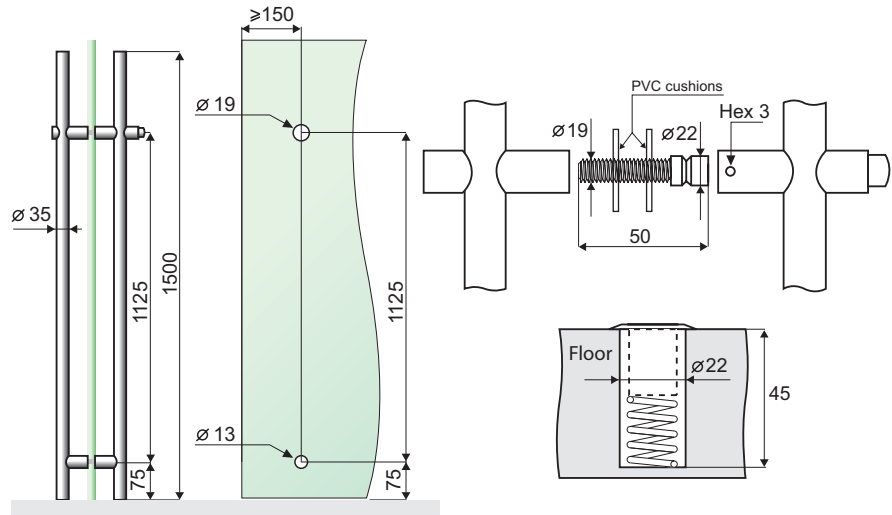
Bar handle \varnothing 35 x 1500 mm
Incl. floor socket w/spring dust cover
Cylinder 5 SISO metal keys or turn knob
5000 KD on cylinder version

Material:

Stainless steel SS-304 - brushed

Item No:

W/cylinder & knob # 14.60.600
W/knob on one side # 14.60.610
W/cylinder on 2 sides # 14.60.615



Application:

For metal or wooden doors, drawers, cabinets & boxes. W/Black rubber ring f/soft feeling.

Accessories for one set:

- 1 turn knob \varnothing 38 mm
- 1 cylinder \varnothing 19 x 20 mm
- 1 cam plate c.e.: 37 mm
- 1 hex nut

Specifications:

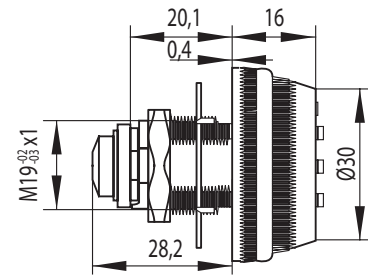
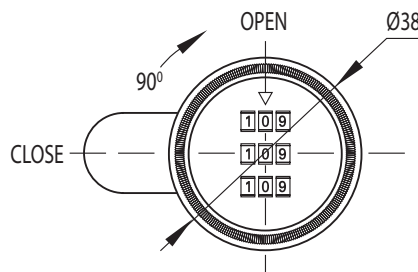
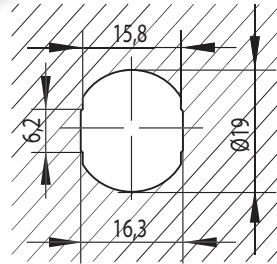
Turn knob & cylinder made of zamak.
Cam and hex nut made of steel, NPL
3 digits from 0 - 9
90° turn. Right hand
Pre-coded 000. Re-coding by pressing metal pin on side of housing in open position.

Packing:

- 20 pcs per box
- 200 pcs per export carton

Item No.:

- Black Anodized: # 14.08.203
- Chrome Plated: # 14.08.204



3-DIGIT COMBINATION LOCK "DOME"

Application:

For metal or wooden doors, drawers, cabinets, boxes etc.

Function:

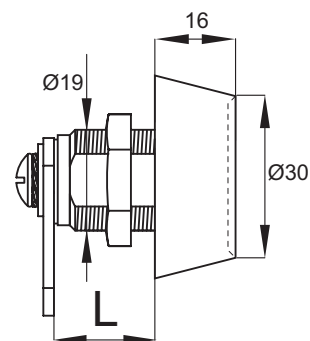
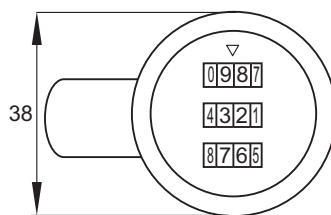
Rotation angle 90°

Specifications:

Zamak body, cylinder & hex nut
Steel cam
Pre-coded 000
Re-coding by pushing split into hole in lock body in open position
1000 combinations
Available in 17,5, 22,5 & 29 mm cylinder lengths

Item No.:

- 17,5 mm # 14.08.200
- 22,5 mm # 14.08.201
- 29 mm # 14.08.202



COMBINATION CAM LOCK NO.213

Application:

For drawers & cabinets.

Accessories for one set:

- 1 turn knob \varnothing 44 mm
- 1 cylinder \varnothing 19 x 20 mm
- 1 cam plate c.e.: 40 mm
- 1 hex nut

Specifications:

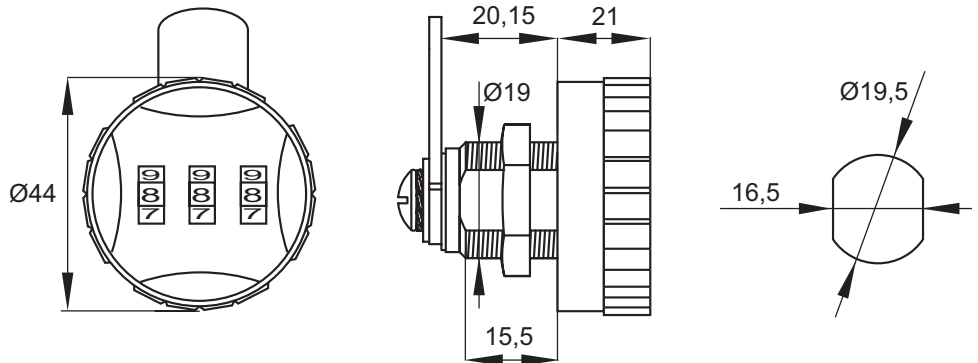
Turn knob made of black/grey plastic
 Cylinder made of zamak
 Cam and hex nut made of steel, NPL
 3 digits from 0 - 9
 90° turn. Right hand
 Pre-coded 000.
 Re-coding by pressing metal pin on side of housing into the housing in open position

Item No.:

Black/grey # 14.08.270

Packing:

- 20 pcs per box
- 200 pcs per export carton



COMBINATION CAM LOCK NO.M215

Application:

For drawers & cabinets

Accessories for one set:

- 1 turn knob \varnothing 56,6 mm
- 1 cylinder \varnothing 19 x 20 mm or \varnothing 19 x 30 mm
- 1 cam plate c.e.: 40 mm
- 1 hex nut

Specifications:

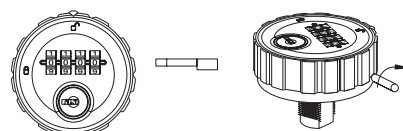
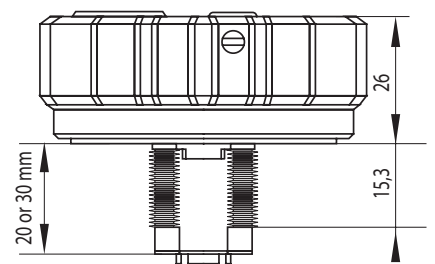
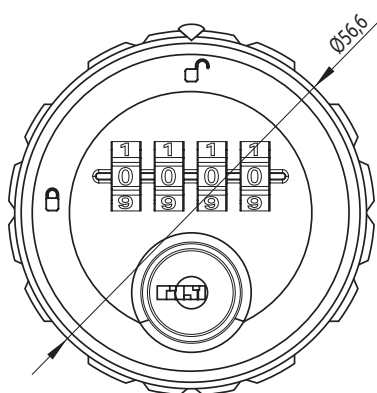
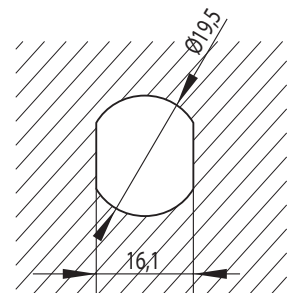
Turn knob made of black/grey plastic.
 Cylinder made of zamak
 Cam and hex nut made of steel, NPL
 4 digits from 0 - 9
 90° turn. Right hand
 Pre-coded 0000.
 Re-coding by pressing metal pin on side of housing into the housing in open position.
 W/master key system code A201
 Code finder by use of master key

Packing:

- 20 pcs per box
- 200 pcs per export carton

Item No.:

- \varnothing 19 x 20 mm # 14.08.271
- \varnothing 19 x 30 mm # 14.08.272
- Master key # 14.08.251



COMBINATION CAM LOCK M316 - ZAMAK HOUSING – W/MASTER KEY & CODE FINDER

Application:

For drawers & cabinets

Accessories for one set:

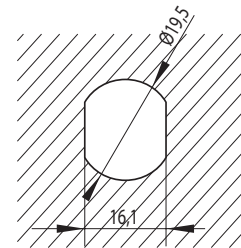
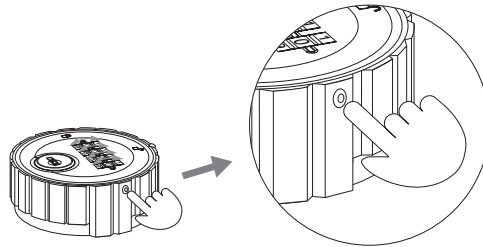
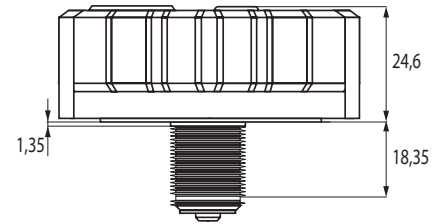
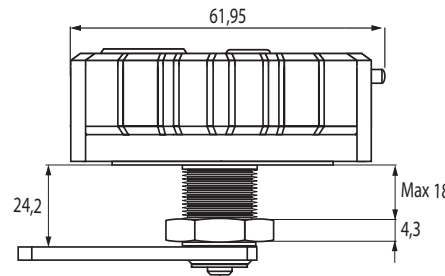
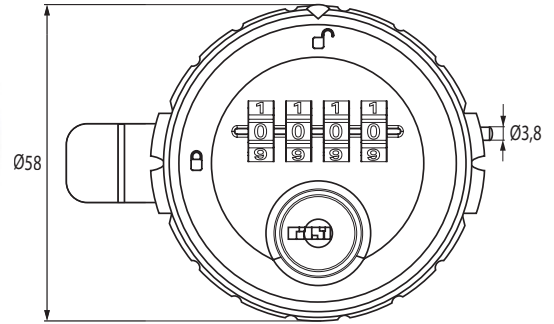
- 1 turn knob \varnothing 60 mm
- 1 cylinder \varnothing 19 x 24 mm
- 1 straight cam plate ce: 45 mm
- 1 hex nut
- 1 hole size reduction washer.
From \varnothing 22 to \varnothing 19 mm

Specifications:

Zamak turn knob & cylinder
Cam, hex nut & washer
made of steel, NPL.
4 digits from 0 - 9.
90° turn. Right hand.
Pre-coded 0000.
Re-coding by pressing metal pin
on side of housing into the housing
in open position.
W/master key system code A201
& code finder.
Code finder by use of master key

Item No.:

- Silver color # 14.08.290
- Black color # 14.08.291
- Master key A201 # 14.08.251



COMBINATION CAM LOCK M237 – “PUBLIC/PRIVATE” W/MASTER KEY & CODE FINDER

Application:

For metal drawers & cabinets

Accessories for one set:

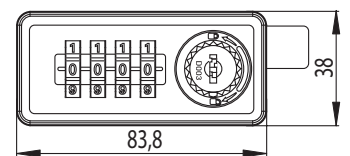
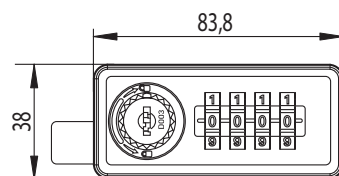
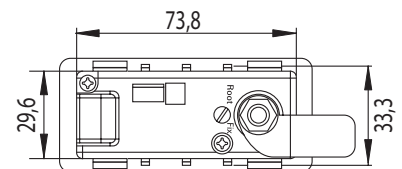
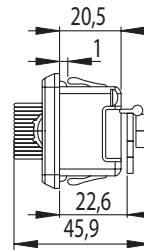
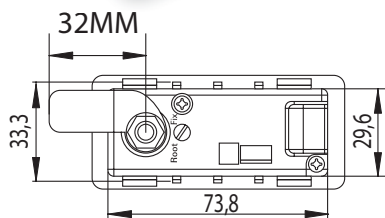
- 1 Lock body 73,8 x 33,3 x 22,6 mm
(L/W/D)
- 1 angled cam plate c.e.: 32 mm
- 1 lock washer
- 1 hex nut

Specifications:

ABS lock housing
Cylinder inner core made of zamak
Cam and hex nut made of steel, NPL
4 digits from 0 - 9
180° turn.
Right or Left hand version
Public or private setting by use
of switch button
W/master key system code D001
& code finder
F/1 mm metal sheet

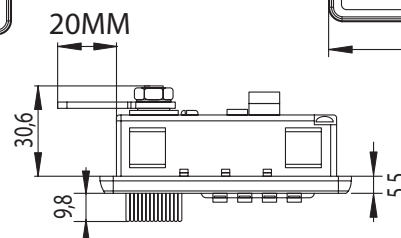
Item No.:

- Right Hand: # 14.08.600
- Left Hand: # 14.08.601
- Master Key D001 # 14.08.252



Right hand

Left hand

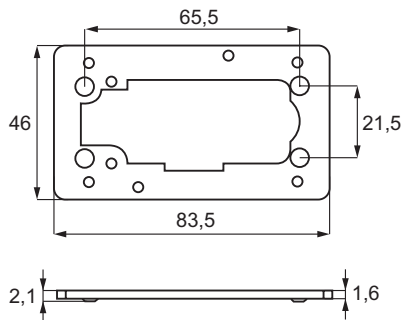


BACK PLATE F/LOCK M237 F/WOODEN PANELS

Panel thickness: 10 - 20 mm
Size: 46 x 84 x 2 mm
Material: steel, nickel plated

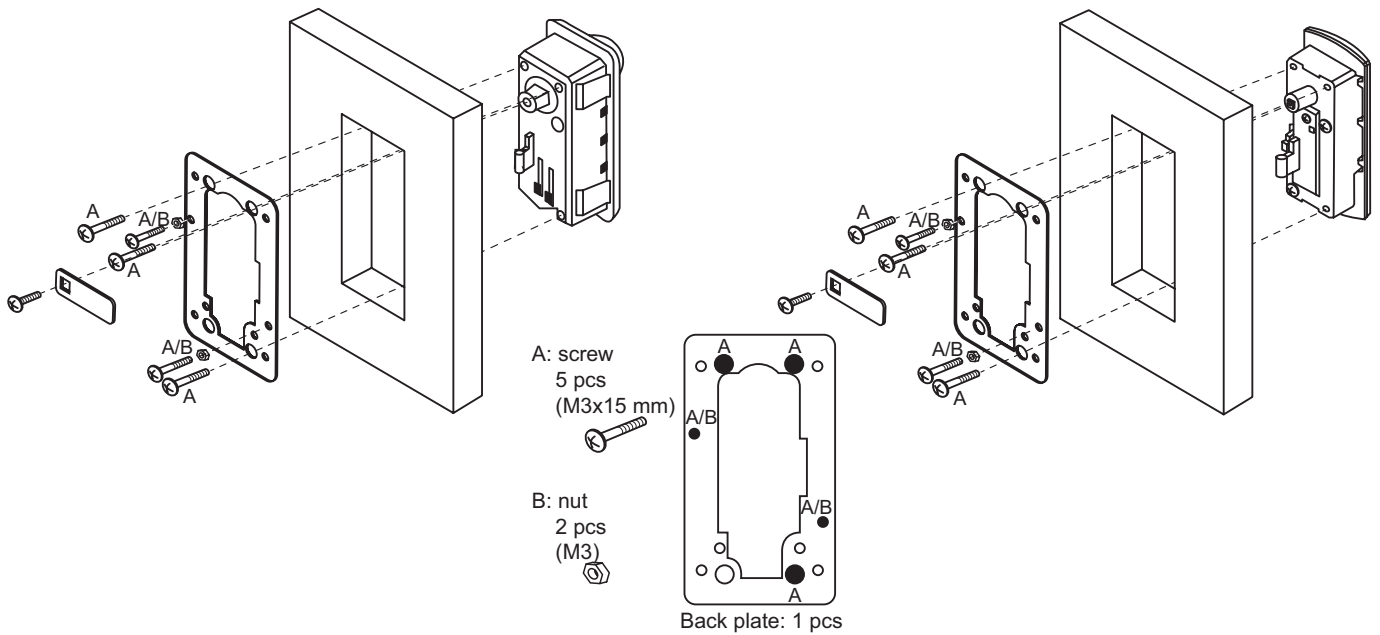
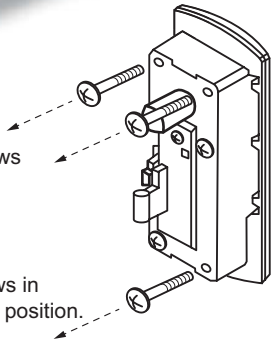
Item No.: # 14.08.603

Incl. fixing screws



1. Remove the original screws (3 pcs, screw position shown as below).

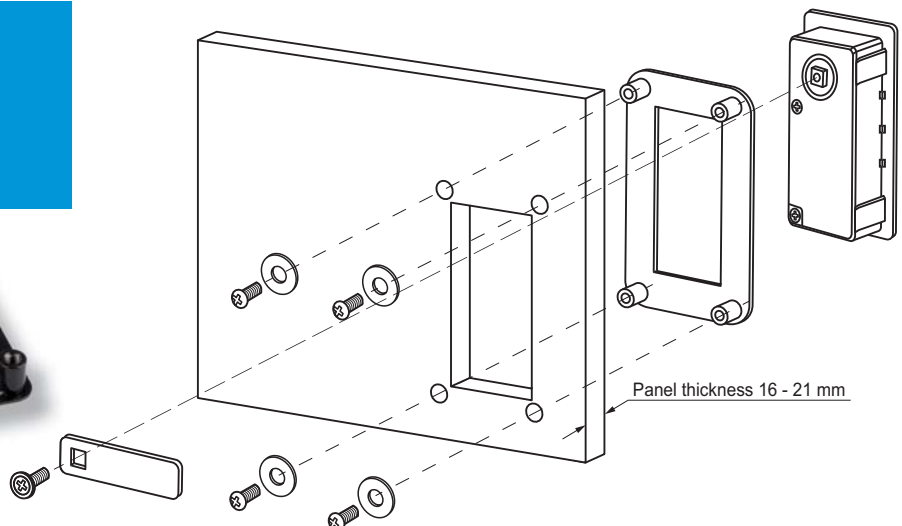
2. Replace with 5 new screws in A position and 2 nuts in B position.



Front mounted metal plate f/wooden panels

Application for wooden panels by optional metal front plate.

Item No.
 Metal black # 14.08.610
 White on request



Application:

For metal drawers & cabinets

Accessories for one set:

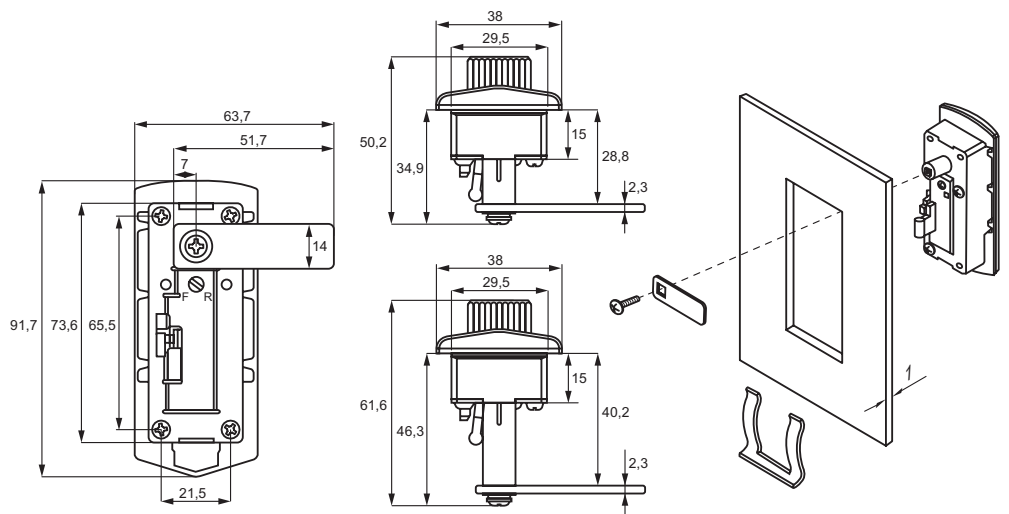
- 1 lock body 73,6 x 29,5 x 28,8 mm (L/W/D)
- 1 straight cam plate ce: 44,7 mm
- 1 metal fixing clip

Specifications:

Zamak lock housing – nickel plated
Vertical installation
4 black plastic digits from 0 – 9
180° turn
Right hand version (left on request)
Public or private setting by use of switch button
W/master key system code D0001 & code finder.
F/1 mm metal sheet

Item No.:

- Right hand: # 14.08.260
- Master key D001 # 14.08.252



BACK PLATE F/LOCK M238 F/WOODEN PANELS

Panel thickness:

16 - 35 mm

Size:

46 x 84 x 2 mm

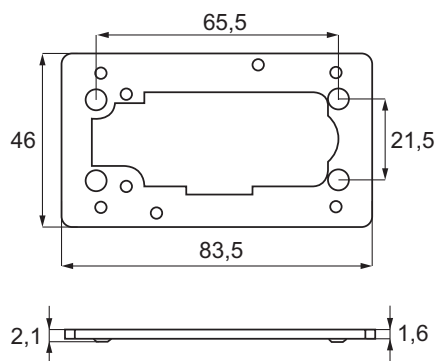
Material:

steel, nickel plated

Item No.

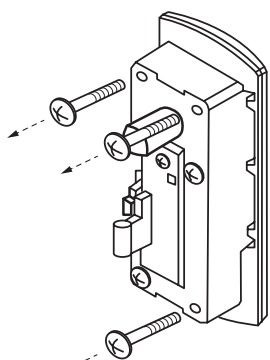
14.08.264

Incl. fixing screws & nuts



Panel thickness: 16 - 35 mm

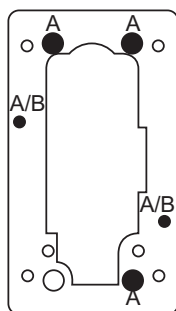
1. Remove the original screws (3 pcs, screw position shown as below).
2. Replace with 5 new screws in A position and 2 nuts in B position.



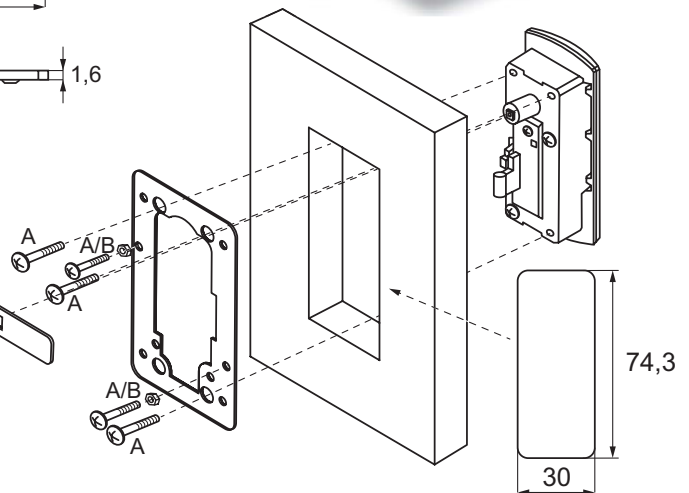
A: screw
5 pcs (M3x38 mm)

Remarks: Please tailor the length of screw according to the panel thickness (16 - 35 mm)

B: nut
2 pcs (M3)



Back plate: 1 pcs



COMBINATION CAM LOCK M268 - ZAMAK HOUSING - VERTICAL - W/MASTER KEY & CODE FINDER



Application:

For drawers & cabinets

Accessories for one set:

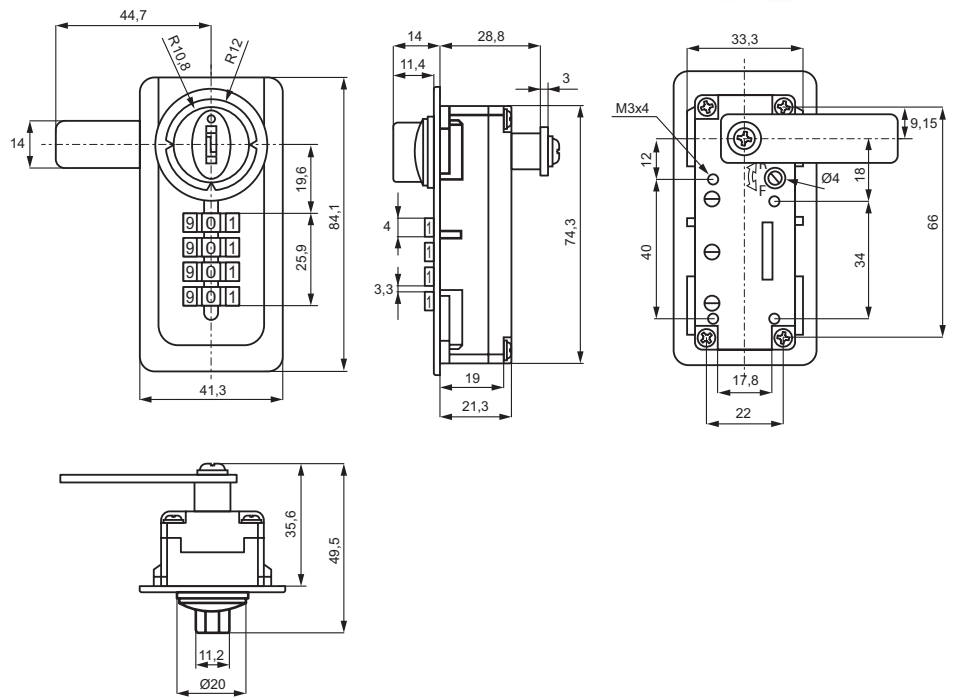
- 1 lock body 74,3 x 33,3 x 21,3 mm (L/W/D)
- 1 straight cam plate ce: 44,7 mm
- 2 metal fixing clips

Specifications:

Zamak lock housing - black
Cam & fixing clips made of steel, NPL
90° turn.
Vertical installation.
Right hand.
4 steel digits from 0 - 9.
Pre-coded 0000.
Public or private setting by use of switch button.
W/master key system code D005
& code finder.
Code finder by use of master key.
F/1 mm metal sheet.

Item No.:

- Right hand: # 14.08.262
- Master key D005 # 14.08.255



BACK PLATE F/LOCK M268 F/WOODEN PANELS

Panel thickness:

17 - 20,5 mm

Size:

78,5 x 38 x 7 mm
(L/W/D)

Material:

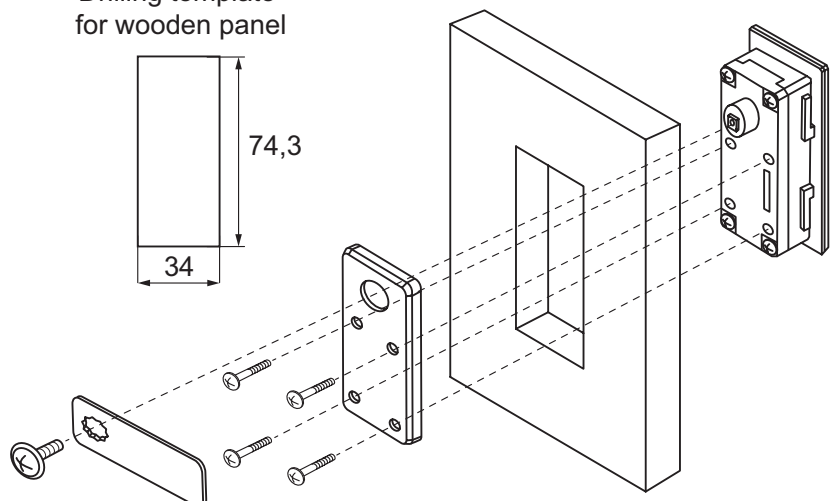
Black plastic

Item No.:

14.08.262-9



Drilling template
for wooden panel



COMBINATION LOCK M224 - "PRIVATE" W/MASTER KEY & CODE FINDER

Application:

For drawers & cabinets

Accessories for one set:

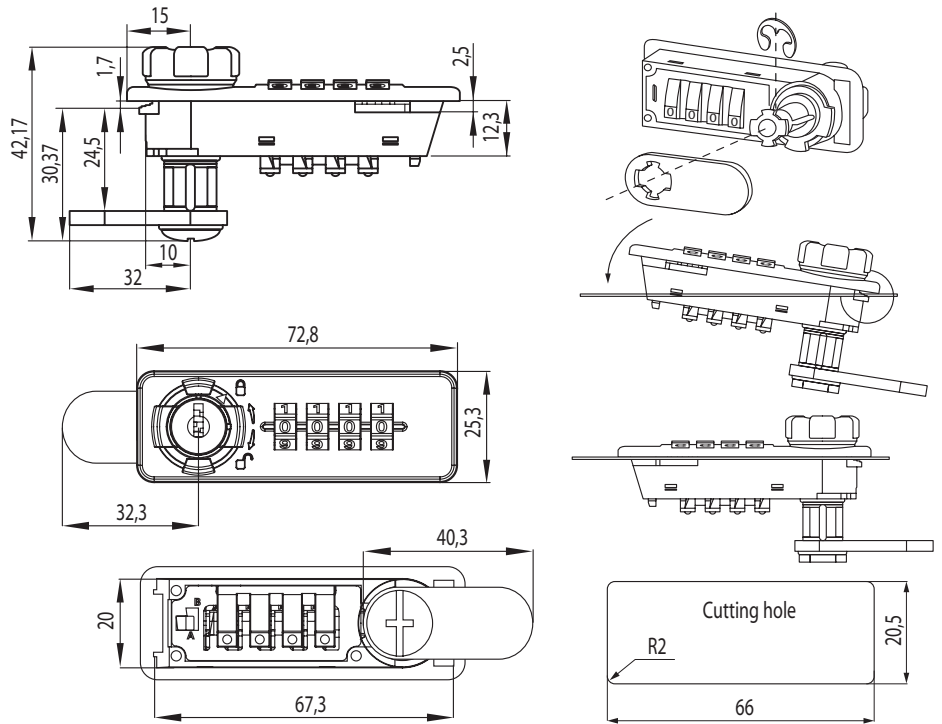
- 1 lock body 72,8 x 42,8 x 25,3 mm (L/W/D)
- 1 straight cam plate ce: 32 mm
- 1 spring mounting clip

Specifications:

ABS lock housing - black
Horizontal installation 4 black plastic digits from 0 - 9
Private version ONLY
90° turn - right or left hand version
W/master key system code 201 & code finder.
F/0,8-1 mm metal panels or 12-22 mm wooden doors by use of extra back plate.

Item No.:

- Right hand # 14.08.259-1
- Left hand # 14.08.259-8
- Master key 201 # 14.08.250



BACK PLATE F/LOCK M224 F/WOODEN PANELS

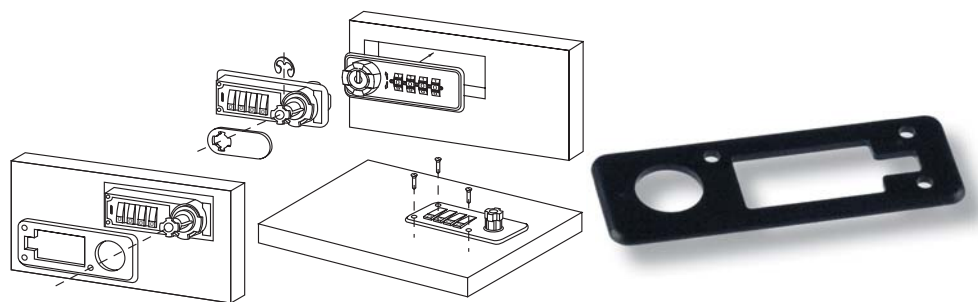
Panel thickness: 12,3 - 22 mm

Cutting hole: 67,8 x 20,5 mm

Material: Black plastic

Incl. 3 screws

Item No. # 14.08.248



BACK PLATE F/LOCK M224 F/METAL PANELS

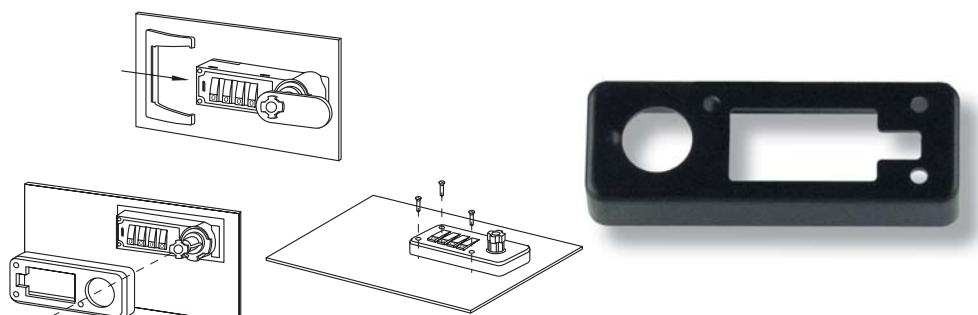
Panel thickness: 0,8 - 1 mm

Cutting hole: 66,8 x 20,5 mm

Material: Black plastic

Incl. 3 screws

Item No. # 14.08.247



COMBINATION LOCK M901 - "PUBLIC" W/MASTER KEY & CODE FINDER



Application:

For drawers & cabinets

Accessories for one set:

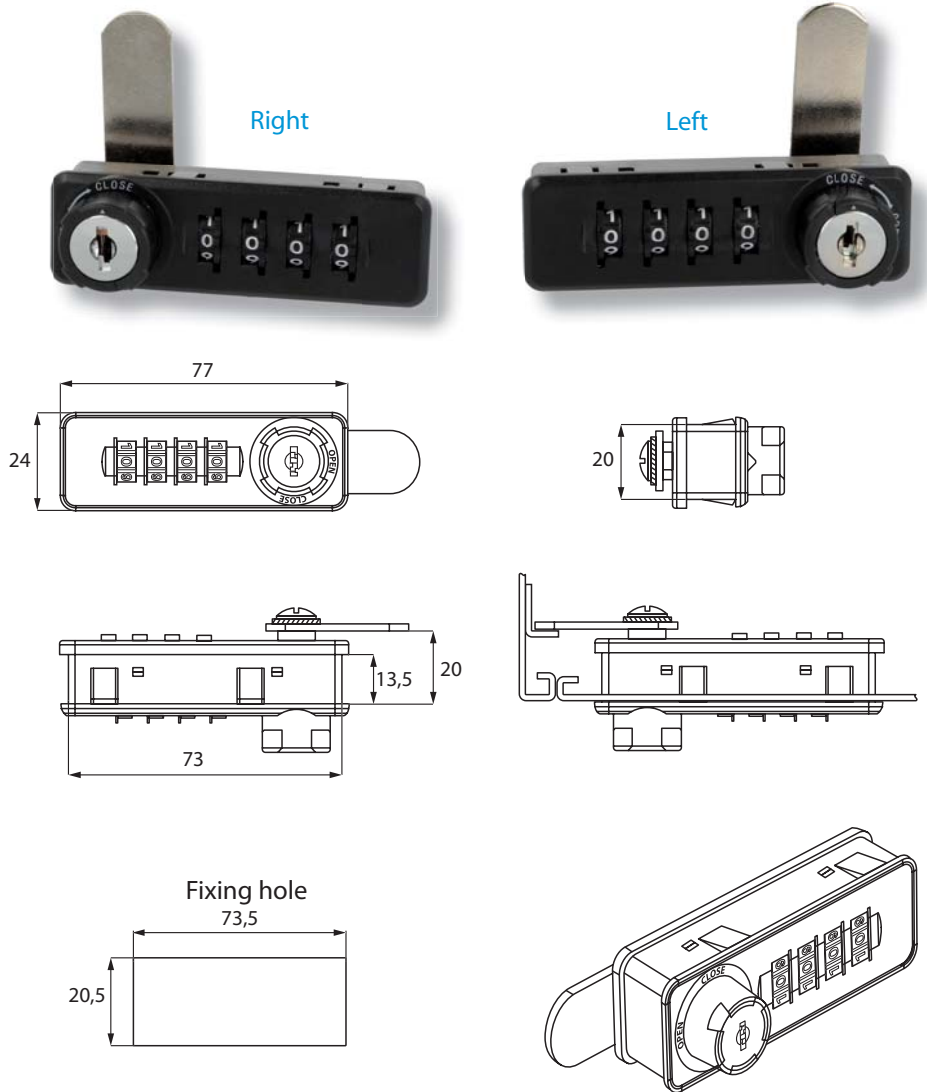
1 lock body 73 x 20 x 15,5 mm (L/W/D)
1 straight cam plate ce: 40 mm

Specifications:

Plastic lock housing - black
Horizontal installation 4 black plastic digits
from 0 - 9
Public version ONLY
90° turn - right or left hand version
W/master key system code #J13
& code finder.
F/0,8-1 mm metal panels or 14-19 mm
wooden doors by use of extra back plate.

Item No.:

Right hand	# 14.08.240
Left hand	# 14.08.241
Master key #J13	# 14.04.135-5



BACK PLATE F/LOCK M901 F/WOODEN PANELS

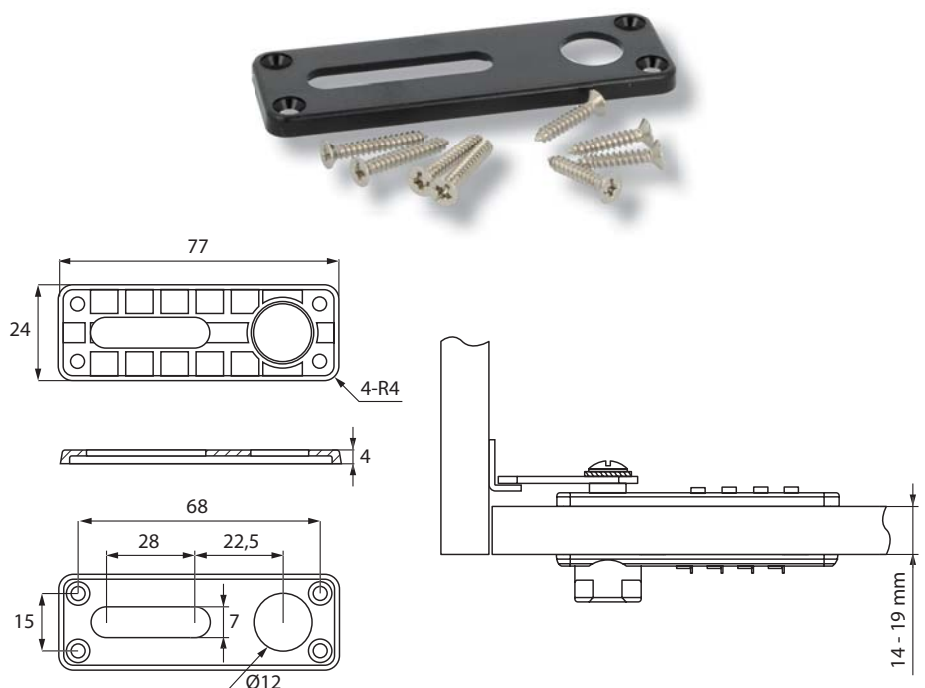
Panel thickness: 14 - 19 mm

Size: 77 x 24 x 4 (L/W/D)

Material: Black plastic

Incl. 4 screws \varnothing 3 x 16 mm
& 4 screws in \varnothing 3 x 20 mm

Item No. # 14.08.245



Application:

For metal drawers & wooden cabinets

Accessories for one set:

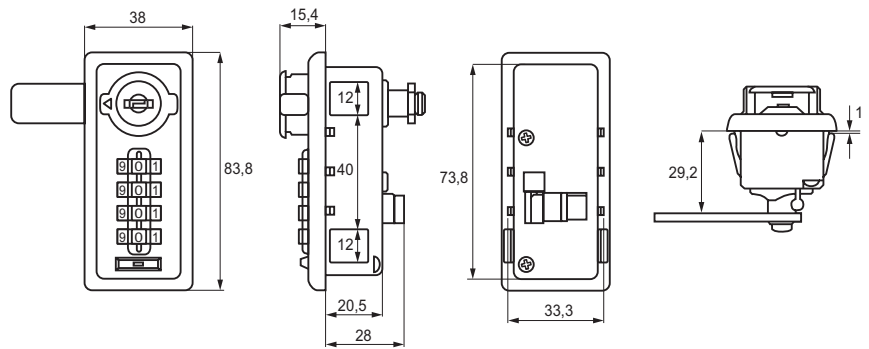
- 1 Lock body 73,8 x 33,3 x 20,5 mm (L/W/D)
- 1 straight cam plate c.e.: 44,7 mm
- 1 lock washer
- 1 hex nut

Specifications:

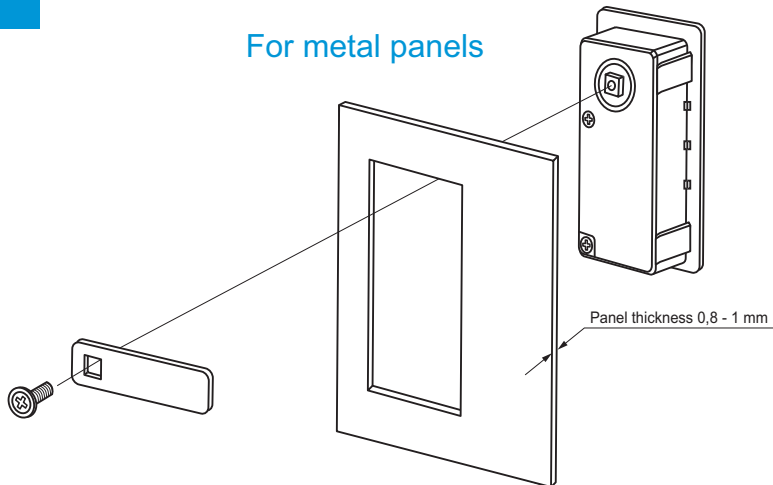
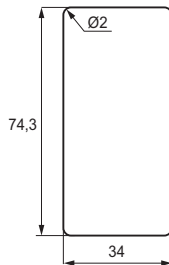
- ABS lock housing
- Cylinder inner core made of zamak
- Cam and hex nut made of steel, NPL
- 4 digits from 0 - 9
- 180° turn
- Right or left hand version
- W/scramble function
- W/master key system code D001 & code finder
- F/ 0,8 to 1 mm metal panel thickness
- or for 16 - 21 mm wood thickness by use of metal front plate

Item No.:

- Right Hand: # 14.08.605
- Left Hand: # 14.08.606
- Master key: # 14.08.252



For metal panels

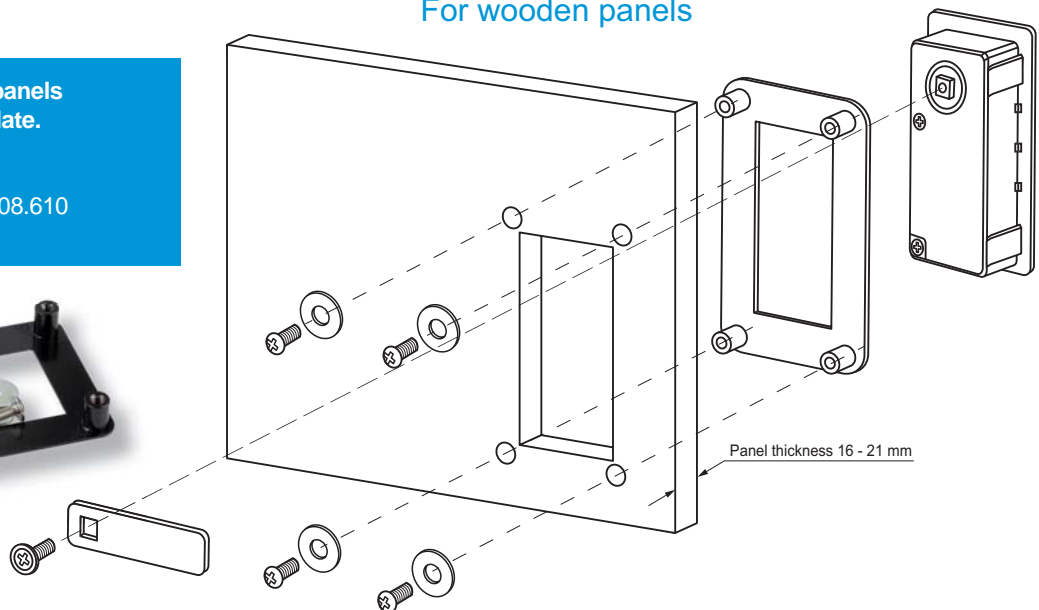


For wooden panels

Application for wooden panels by optional metal front plate.

Item No.

- Metal black # 14.08.610
- White on request



COMBINATION PUSH LOCK M330 –“PUBLIC/PRIVATE” W/MASTER KEY & CODE FINDER



Application:

For cabinets with sliding doors

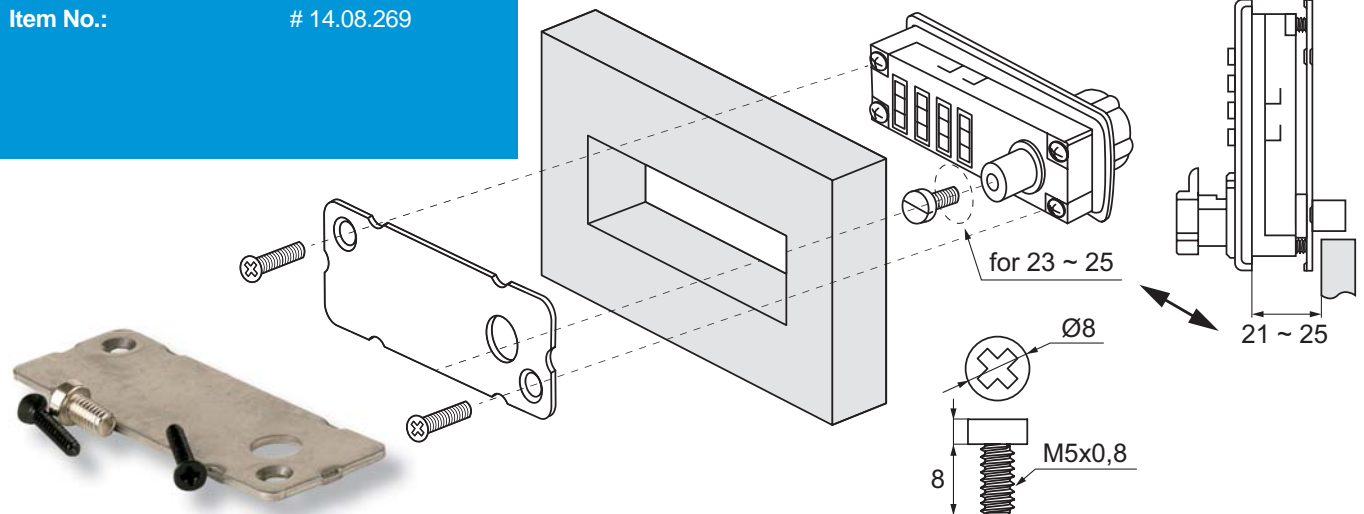
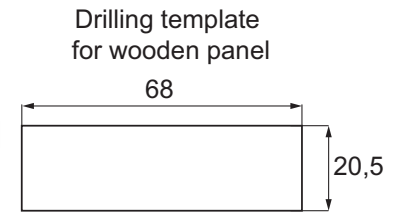
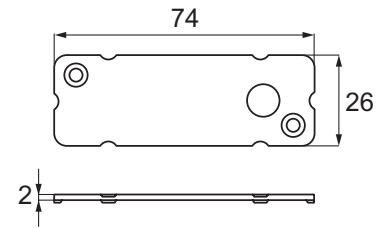
Accessories for one set:

- 1 lock body 75 x 25 x 18 mm (L/W/D)
- 1 metal back plate 74 x 26 x 2 mm (L/W/D)
- 2 fixing screws
- 1 prolongation screw M5 x 8 mm

Specifications:

ABS lock housing - black
Vertical installation
4 black plastic digits from 0 - 9
Public or private setting by use of switch button
W/master key system code D0001 & code finder
F/16-20 mm wooden doors or for 0,6 - 1 mm
metal panels by use of extra back plate

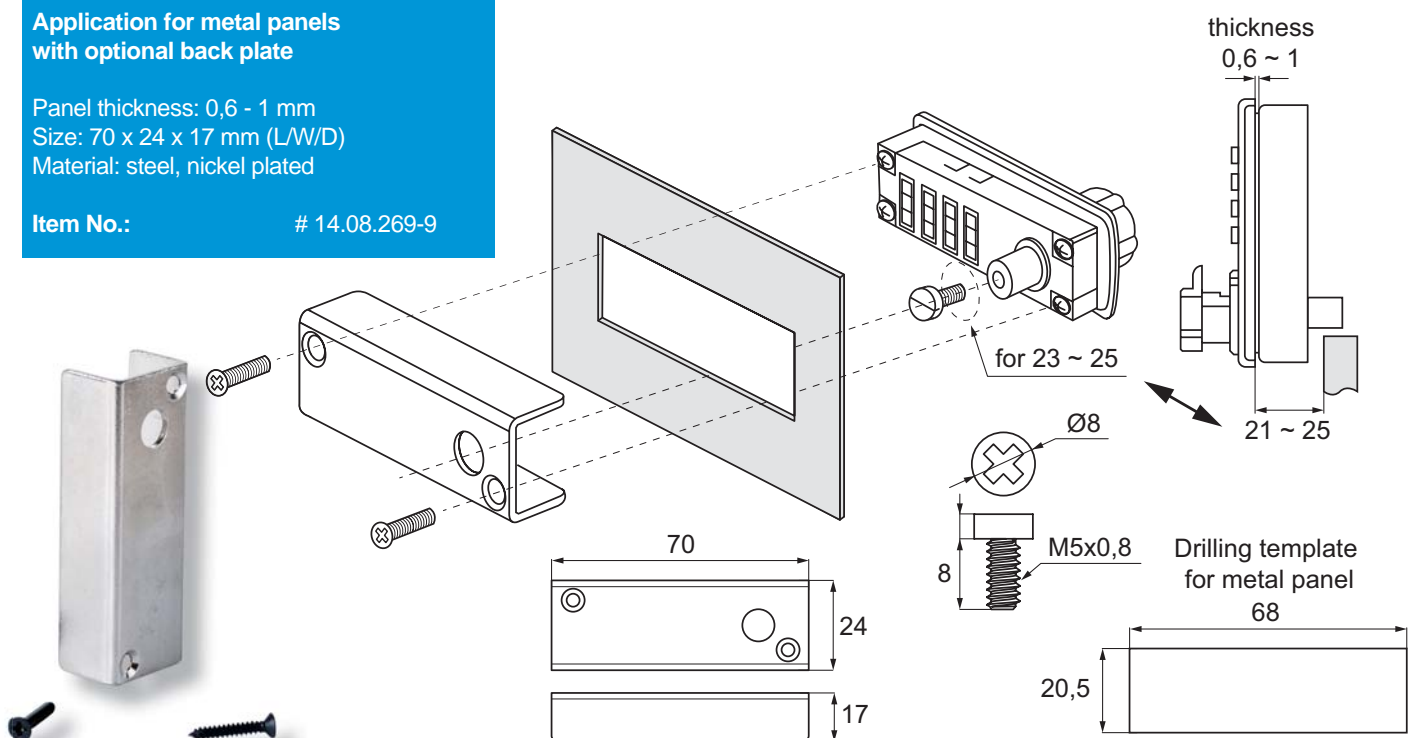
Item No.: # 14.08.269



Application for metal panels with optional back plate

Panel thickness: 0,6 - 1 mm
Size: 70 x 24 x 17 mm (L/W/D)
Material: steel, nickel plated

Item No.: # 14.08.269-9



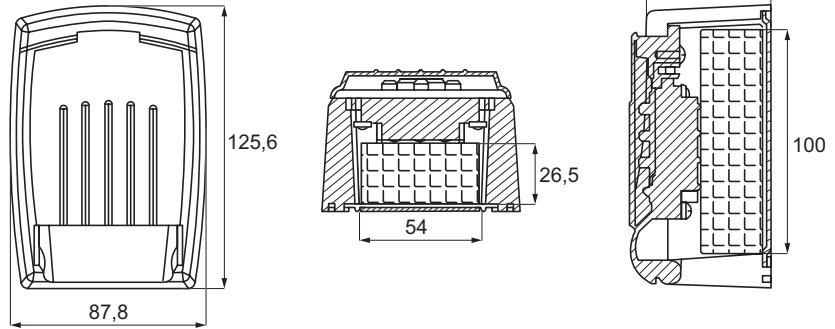
KEY STORAGE BOX

Application:
F/storage of keys
Wall mounting

Accessories for one set:
1 lock housing 88 x 126 x 56 mm
(W/H/D)
4 wall plugs
4 wall screws

Specifications:
Aluminum lock housing - black
Zamak key pad - silver
ABS front cover - black
9 push buttons
Personal key setting

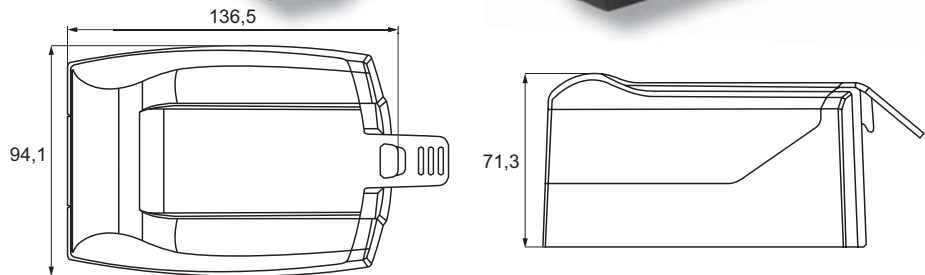
Item No.: # 14.08.155



PROTECTION COVER FOR KEY STORAGE BOX

Material: Black rubber

Item No.: # 14.08.154

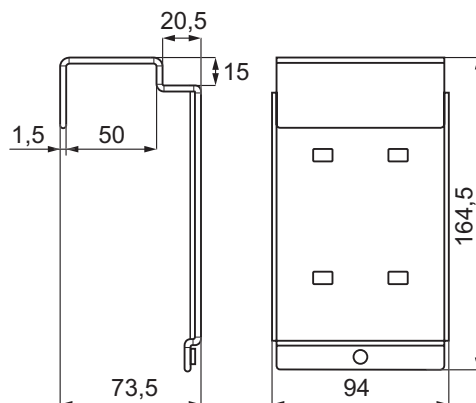


DOOR BRACKET F/KEY STORAGE BOX 14.08.155

Application:
Door bracket f/40-50 mm
door thickness

Specifications:
1 steel bracket - black
4 screws
4 hex nuts
1 threaded rod w/soft tip

Item No.: # 14.08.156-9



KEY STORAGE BOX W/DIGITS

Application.

F/storage of keys
Wall mounting

Specifications:

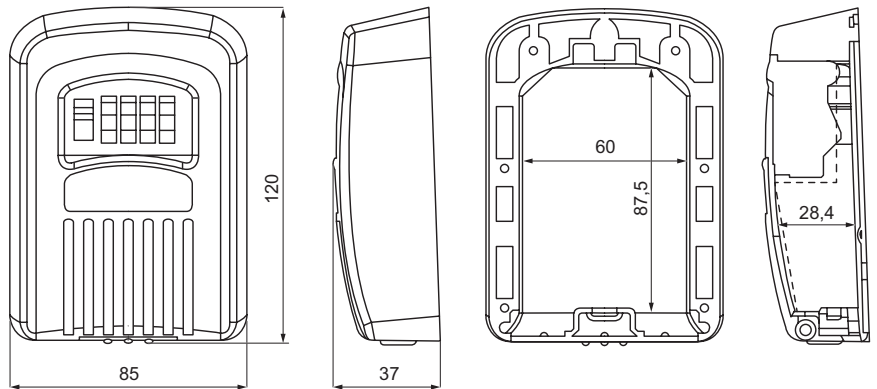
1 lock housing 85 x 120 x 37 mm (W/H/D)
4 wall plugs
4 wall screws

Specifications:

Aluminum lock housing - black
Zamak lid - silver
Steel back plate - black
ABS dust cover
4 digits from 0 - 9
Pre-coded 0000. Code can be reset.

Item No.:

Lock # 14.08.150



KEY STORAGE PADLOCK

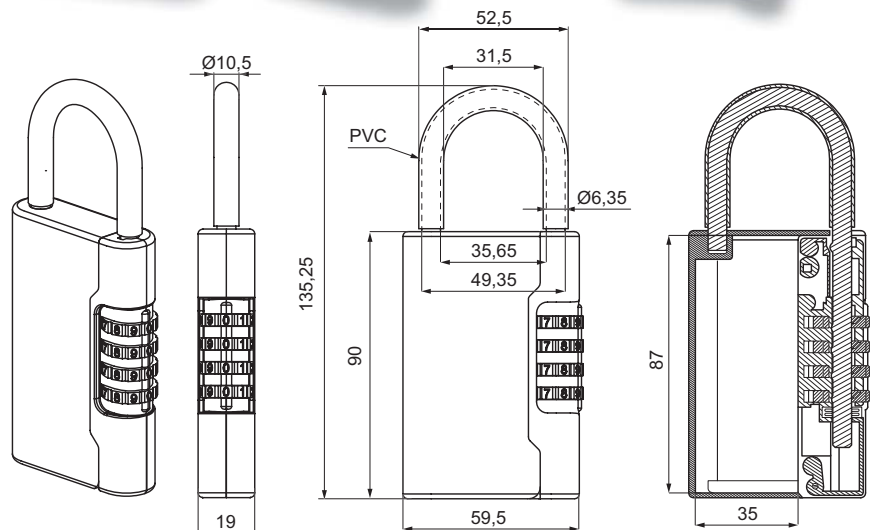
Specifications:

Material: Steel
Size: 90 x 59,5 mm
Rubber coated shackle: $\varnothing 10,5 \times 52,5$ mm

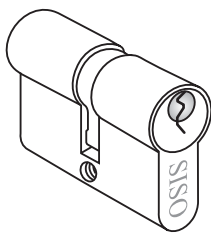
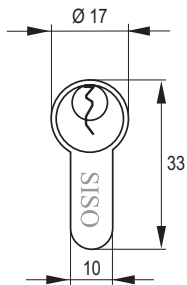
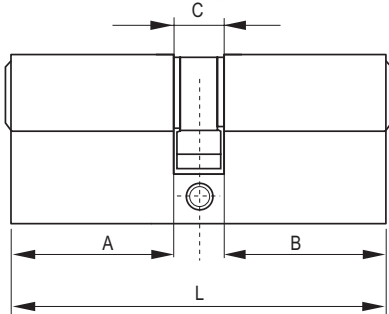
4 Digits from 0 - 9
Pre-coded 0000. Code can be re-set.
Finish: Black/Silver

Item No.:

14.08.153



Euro Profile Cylinders Yale or FAB keyway 1 mounting screw 65 mm and 3 brass keys - 5 pins



Item No.:	L	A	B	C	FINISH
#14.60.037-9	41	26	10	5	SS-look - Yale keyway
#14.60.037	62	26	26	10	SS-look - Yale keyway
#14.60.038	62	26	26	10	Brass satin - Yale keyway
#14.60.071	64,5	30,2	25	9,3	Brass polished - FAB keyway
#14.60.074	64,5	30,2	25	9,3	SS-look - FAB keyway
#14.60.117	70	25	35	10	Brass polished - FAB keyway
#14.60.118	70	25	35	10	Nickel Plated - FAB keyway
#14.60.115	70	30	30	10	Brass polished - FAB keyway
#14.60.116	70	30	30	10	SS-look - FAB keyway
#14.60.131	75	30	35	10	Brass polished - FAB keyway
#14.60.132	75	30	35	10	SS-look - FAB keyway
#14.60.113	80	25	45	10	SS-look - FAB keyway
#14.60.046	80	25	45	10	Brass satin - Yale keyway
#14.60.114	80	25	45	10	Brass polished - FAB keyway
#14.60.119	80	30	40	10	Brass polished - FAB keyway
#14.60.120	80	30	40	10	SS-look - FAB keyway
#14.60.121	80	35	35	10	Brass polished - FAB keyway
#14.60.122-0	80	35	35	10	SS-look - FAB keyway
#14.60.133	85	30	45	10	Brass polished - FAB keyway
#14.60.125	90	30	50	10	Brass polished - FAB keyway
#14.60.126	90	30	50	10	SS-look - FAB keyway
#14.60.123	90	35	45	10	Brass polished - FAB keyway
#14.60.124	90	35	45	10	Nickel Plated - FAB keyway
#14.60.127	95	35	50	10	Brass polished - FAB keyway
#14.60.128-0	95	35	50	10	SS-look - FAB keyway

Cylinders w/Master key system (Yale keyway)

Item No.:	L	A	B	C	FINISH	SYSTEM
#14.60.039	62	26	26	10	SS-look	#M1
#14.60.040	62	26	26	10	SS-look	#M2
#14.60.043	62	26	26	10	Alu Look	#M3
#14.60.044	62	26	26	10	Alu Look	#M4

Master keys (Yale keyway)

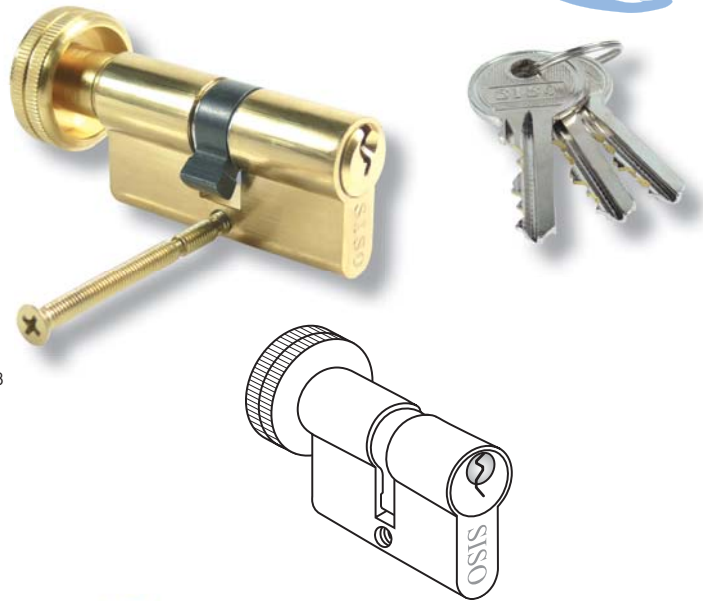
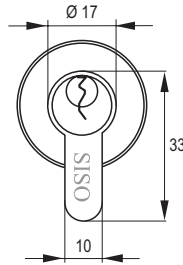
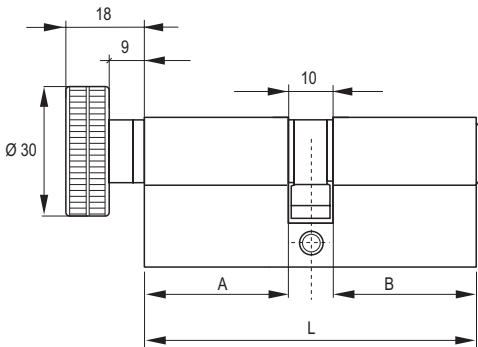
Item No.:	SYSTEM
#14.60.041-0	#M1
#14.60.042-0	#M2
#14.60.041-5	#M3
#14.60.041-6	#M4



SOLID BRASS PROFILE CYLINDERS

Cylinder w/Knob #4 - Yale keyway

Item No.:	L	A	B	Finish
14.60.027	60	25	25	Brass Satin



Cylinder w/Knob #2 - Yale keyway

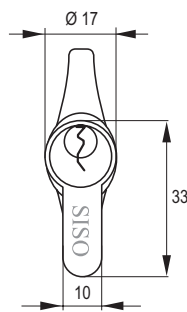
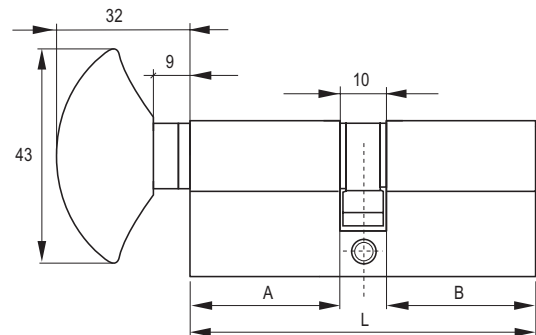
With Master Key system #M3
Incl. 3 brass keys with SISO logo

Item No.:	L	A	B	Finish	Master key system
14.60.028	60	25	25	Brass Polished	NO
14.60.032	62	26	26	SS-lock	System #M3

Master key:

Item No.:

System #M3 # 14.60.041-5



Cylinder w/Knob #3 - Yale keyway

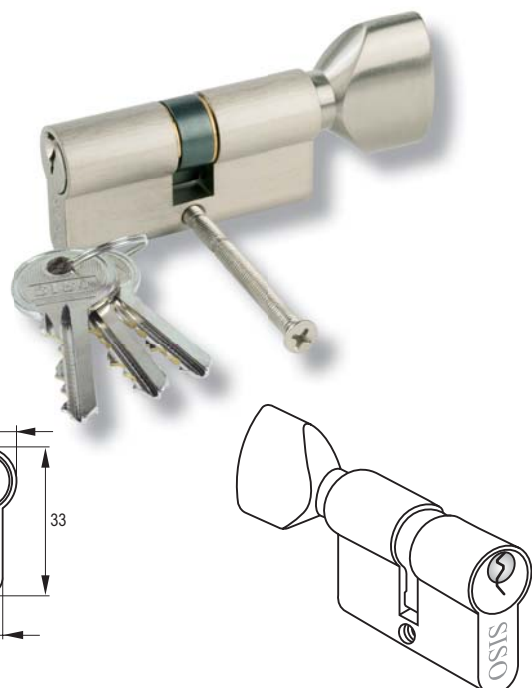
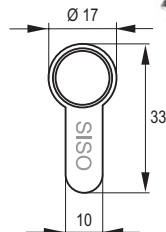
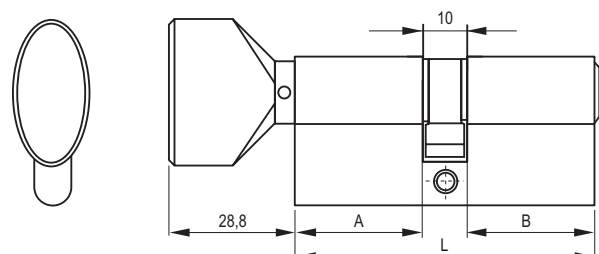
With Master Key system #M3
Incl. 3 brass keys with SISO logo

Item No.:	L	A	B	Finish	Master key system
14.60.033	62	26	26	SS-lock	System #M3
14.60.047	62	26	26	Alu Look	System #M3

Master key:

Item No.:

System #M3 # 14.60.041-5



Application:

Lock case for use as a supplementary lock in entrance doors, gates and swing doors.

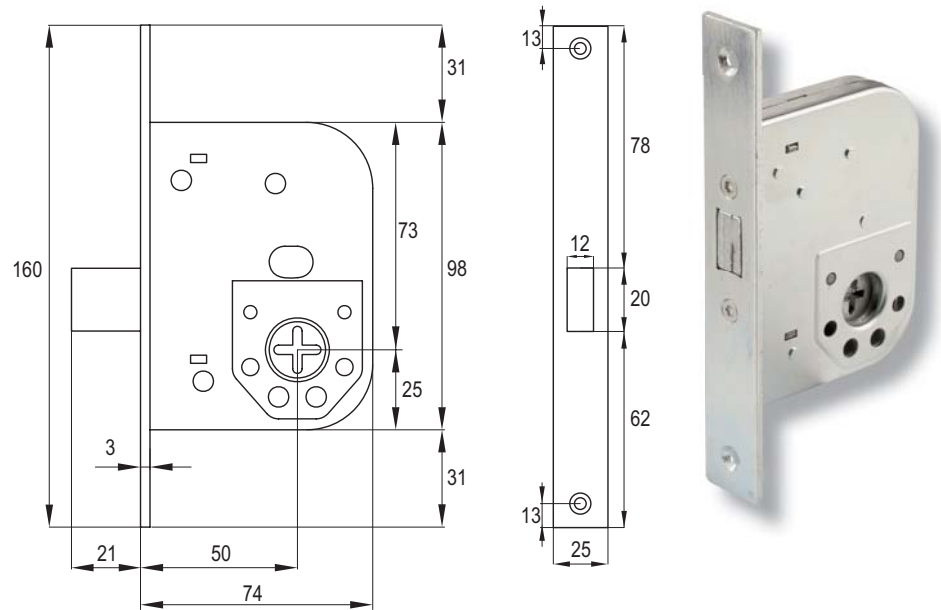
Material:

Steel

Specifications:

Lock body 98 x 74 mm - zinc plated
 Front plate 25 x 150 mm - SS look
 Backset: 50 mm
 Deadbolt - operated by key - 360° turn
 F/Scandinavian cylinders

Item No.: # 14.60.072



MORTISE DOOR LOCK NO. 9045

Application:

Lock case for exterior and interior doors, offices, industrial buildings, etc.

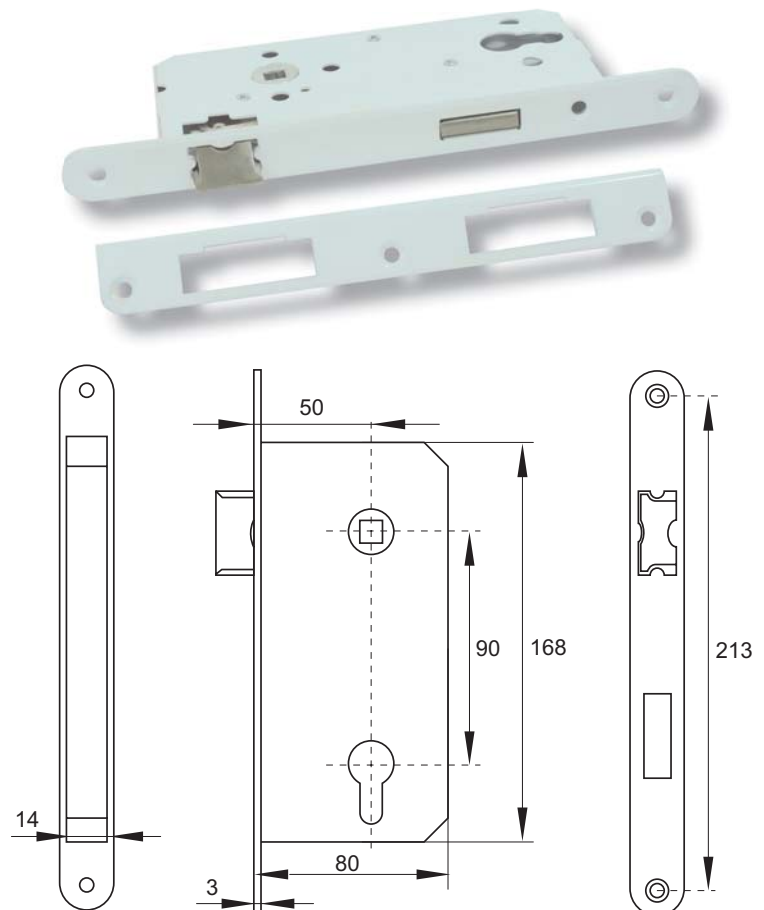
Material:

Steel

Specifications:

Lock body 168 x 80 mm - white lacquered
 Front plate 22 x 240 mm - white lacquered
 Striking plate 24 x 25 x 190 mm - white lacquered
 Backset: 50 mm
 Distance between axes: 90 mm
 Deadbolt - operated by key - 90° turn
 W/lever latch - activated by handle or key
 Rotational latch bolt for left/right hand application
 F/Euro profile cylinders

Item No.: # 14.60.053

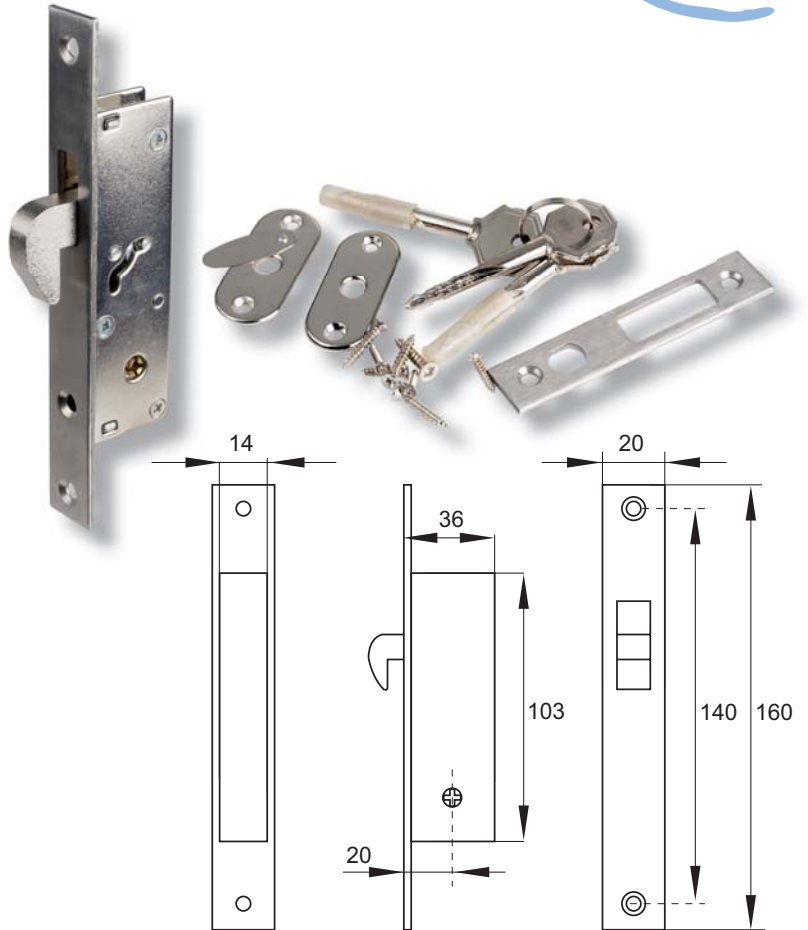


3 keys, screws and striker

20 mm backset - mainly developed for aluminium sliding doors

Finish:
Chrome plated

Item No.:
Key alike # 14.60.049
Key different # 14.60.050



GUN LOCK W/DIGITS

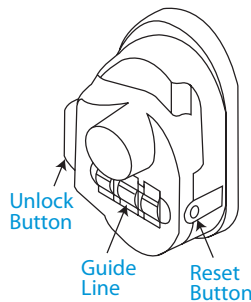
Function:
To open the lock turn the digits to the correct code. Then push down the red button and pull apart. To lock the lock simply press the 2 parts together and turn the digits

Specifications:
All locks are pre-coded to 0-0-0
Re-coding by pushing the reset button in a pen while digits are in the pre-set code. While reset button is in turn the dials to the desired combination and release the reset button

Material:
Zamak

Item No.:
Black colour # 14.60.400
Yellow colour # 14.60.401

**ONLY FOR EXTRA SECURITY.
ALWAYS FOLLOW YOUR COUNTRY'S LOCAL LAWS !!**



Application:

For lockers at sport facilities & super markets.

Accessories for one set:

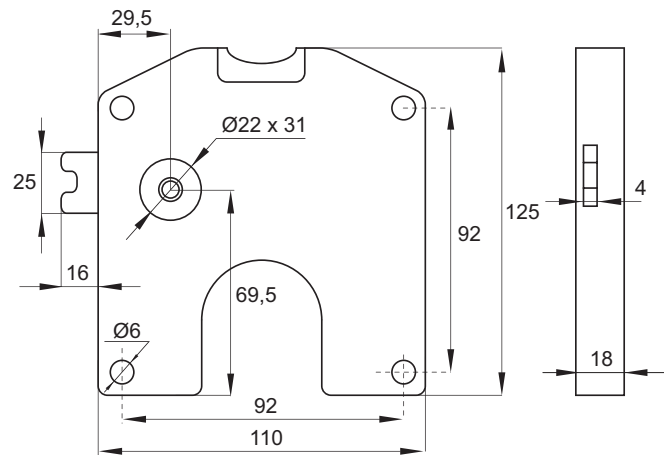
- 1 lock w/cylinder Ø22 x 31 mm
- 1 steel rosette
- 1 coin tray in chrome plated ABS
- 2 SISO brass snake keys

Specifications:

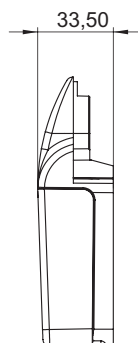
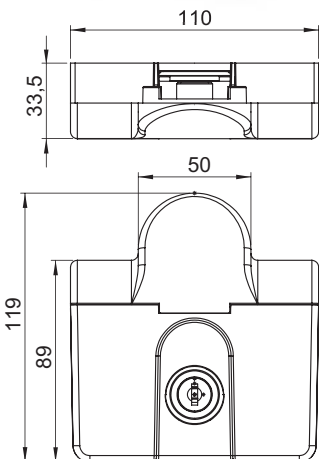
Black & chrome plated ABS housing
 Nickel plated zamak cylinder.
 Innercore made of brass.
 1000 key combinations
 W/master key & interchangeable system (MIC)
 Left (L) or right hand (R) versions

Item No.:

- | | |
|--------------------|---------------------------|
| 5 HRK - Croatia | # 14.60.243 (R) |
| 1 BGN - Bulgaria | # 14.60.245-1/246 (L/R) |
| 2 PLN - Poland | # 14.60.247-0/247-1 (L/R) |
| 1 EURO - Euro zone | # 14.60.250-0/249-1 (L/R) |
| 2 EURO - Euro zone | # 14.60.253/252 (L/R) |
| 10 DKK - Denmark | # 14.60.271-1/270-1 (L/R) |



Coin deposit lock and coin collector box built together



COIN COLLECTOR BOX

Application:

Suitable for SISO coin locks

Specifications:

Black PA housing
 Zamak cam lock - nickel plated
 W/2 SISO steel snake keys
 W/master key & interchangeable system #5 (MIC)
 1000 key combinations

Item No.:

- | | |
|----------------------|-------------|
| Box: | # 14.60.210 |
| Master key: | # 14.60.212 |
| Interchangeable key: | # 14.60.213 |

ELECTRONIC COMBINATION CAM LOCK "MARC"



Application:

Suitable for metal or wood lockers, wardrobes, drawers or cabinets

Accessories for 1 lock:

- 1 ABS housing w/turning knob - 93 x 38 x 14 mm
- 1 zamak cylinder \varnothing 16 x 29 mm
- 1 steel cam plate c.e: 47 mm
- 1 L-shaped metal striker
- 1 fixing hex nut

Specifications:

- 90° turn
- Master code function.
- Micro USB for external power supply.
- Vertical or horizontal installation.
- Touch keypad - 6-figure code needed.
- Power by button-cell battery CR 2032 (NOT included).
- Available as public or private version.
- Working temperature: -5° - +50° Celsius.
- Working humidity: 20 - 80%.

Item No.:

- Public – Silver/Black # 14.60.390
- Private – Silver/Black # 14.60.391

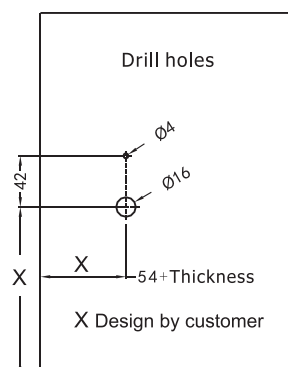
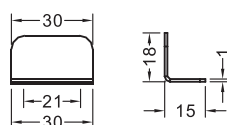
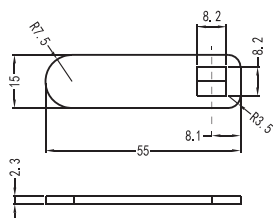
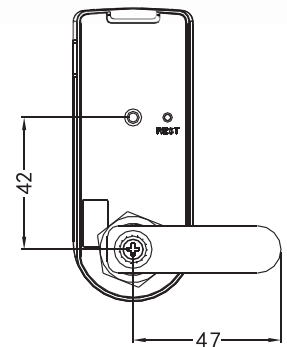
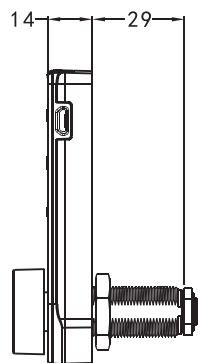
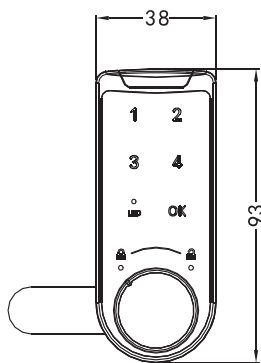
Extra protection cover if needed.
Cover for hiding USB access and battery.
Ideal when lock is used in public places.

Steel - Black anodized: # 14.60.395

Detailed user-guide on www.siso.dk



Protection cover



Application:

Suitable for swim- & sauna bathing spots, golf course, Oil rigs, Enterprises, schools, hotels & super market storage cabinets

Accessories for one set:

- 1 zamak lock panel - 56,1 x 14 x 85,9 mm (W/D/H)
- 1 plastic lock housing - 45 x 29 x 118 mm (W/D/H)
- 1 metal striking plate

Specifications:

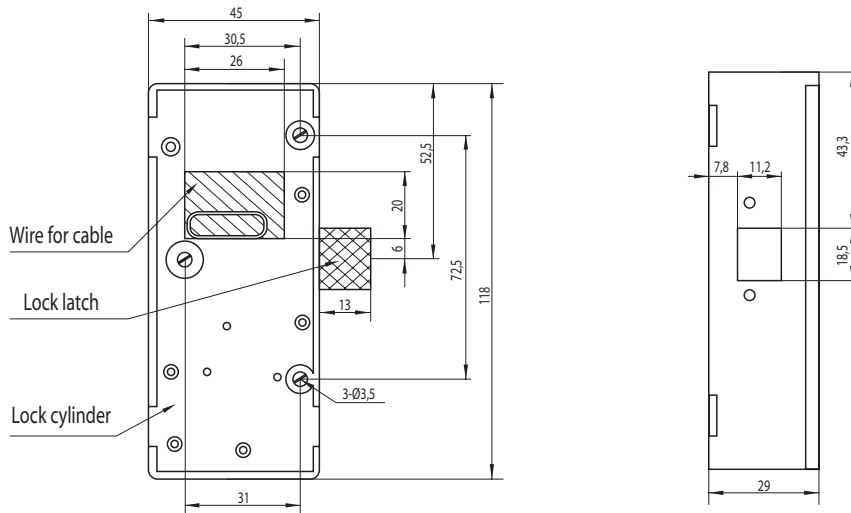
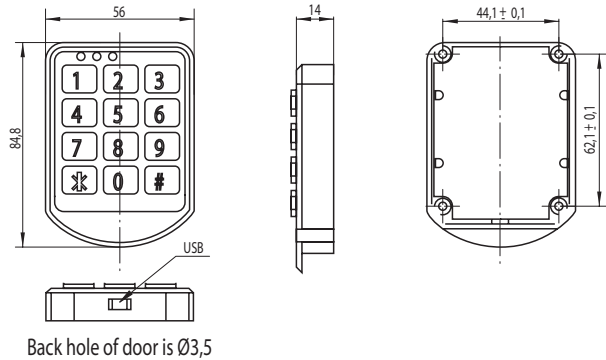
- Master code & user code
- 1 – 10 digits code
- Pre-coded as public version (temporary user code) but can be re-coded to private version (Permanent user code)
- Alarm for low power
- Power supply by DC6V (4 pcs. AA 1,5V alkaline batteries)
- Battery life time: Opens > 20.000 times, can still open 200 times after low power alarm
- Plug for external power supply
- Working temperature: -15 to +65 Celsius
- Working humidity: <=95 %

Item No.:

- Lock: # 14.60.322
- External battery box: # 14.60.325



EXTERNAL BATTERY BOX



Application:

Suitable for swim- & sauna bathing spots, golf course, Oil rigs, Enterprises, schools, hotels & super market storage cabinets.

Accessories for one set:

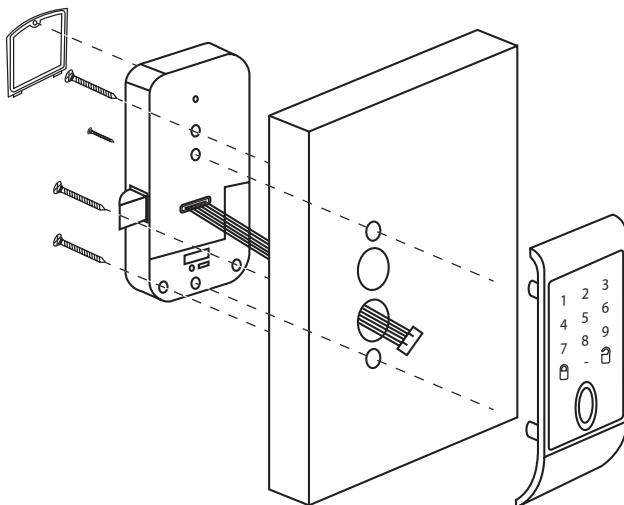
- 1 zamak keypad panel – SS-Look - 44 x 25 x 114 mm (W/D/H)
- 1 stainless steel lock housing – 65 x 21 x 132 mm (W/D/H)
- 1 black plastic spring striker w/push to open function
- 1 black plastic distance spacer for lock housing

Specifications:

Public type w/temporary user code
 Operated by 1-9 digit code or by wristband w/chip,
 Master key function operated by mother wristband
 Power supply by DC6V (4 pcs. AA 1,5V alkaline batteries)
 Indicator & alarm for low power
 Plug for external power supply
 Working temperature: -15 to +65 Celsius.
 Working humidity: <=95 %

Item No.:

- Lock w/spring striker: # 14.60.329
- Wristband yellow: # 14.60.336-5
- Wristband blue: # 14.60.336-6
- Wristband green: # 14.60.336-7
- Wristband pink: # 14.60.336-8



Application:

Suitable for swim- & sauna bathing spots, golf course, Oil rigs, Enterprises, schools, hotels & super market storage cabinets.

Accessories for one set:

- 1 zamak keypad panel – SS-Look - 44 x 25 x 114 mm (W/D/H)
- 1 stainless steel lock housing – 65 x 21 x 132 mm (W/D/H)
- 1 black plastic spring striker w/push to open function
- 1 black plastic distance spacer for lock housing

Specifications:

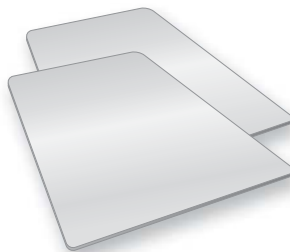
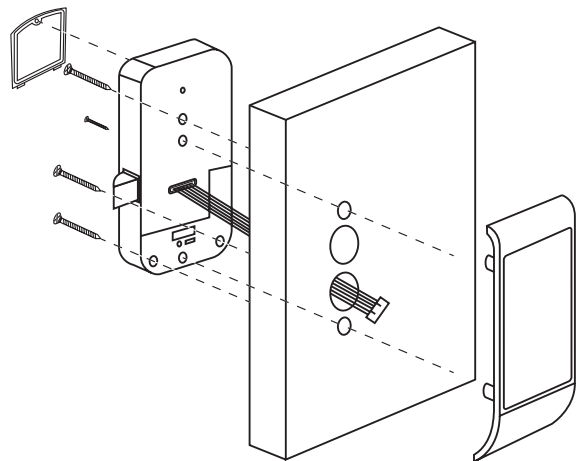
Operated by Mifare wristband or Mifare card.
 Power supply by DC6V (4 pcs. AA 1,5V alkaline batteries), indicator & alarm for low power, plug for external power supply.
 Working temperature: -15 to +65 Celsius.
 Working humidity: <=95 %

Item No.:

14.60.340 Mifare Slam Lock w/spring striker

Extra Accessories:

- # 14.60.346 Mifare1 Card (13.56Mhz)
- # 14.60.341 Wristband yellow (13.56Mhz)
- # 14.60.342 Wristband green (13.56Mhz)
- # 14.60.343 Wristband red (13.56Mhz)
- # 14.60.344 Wristband orange (13.56Mhz)
- # 14.60.345 Wristband blue (13.56Mhz)

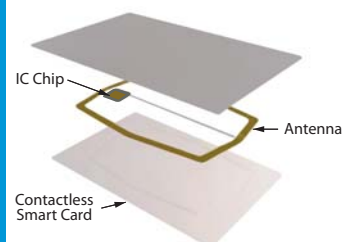


WHAT IS MIFARE?

MIFARE™ is a popular line of smart cards that may be read wirelessly over short distances.

They can store identity information as well as monetary value and are most commonly used as tickets or passes in mass transit systems.

The technology is owned by NXP Semiconductors, a Dutch spin-off of Philips.





Electronic lock for showcases, lockers and sliding doors

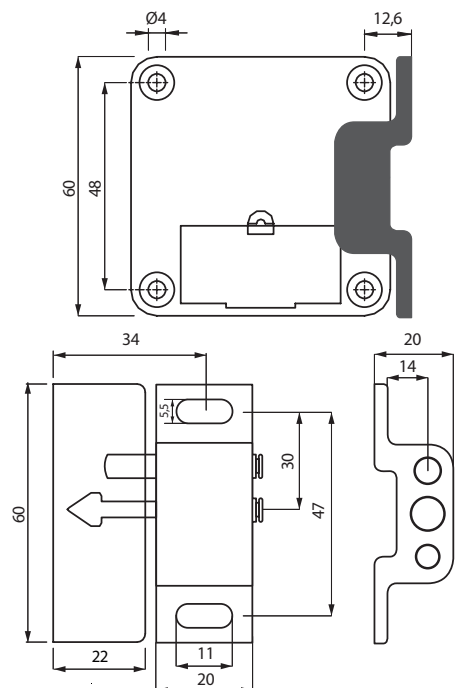
A small intelligent electronic cabinet lock made us the European market leader in this sector. Based on a proxy system, up to 50 keys (e-cards or chips) can be activated for each lock.

This flexible system can be used for:

- Hospitals (each patient has their own key)
- Shops (cabinets, show-cases)
- Household (private areas, child safety)
- Gyms, schools

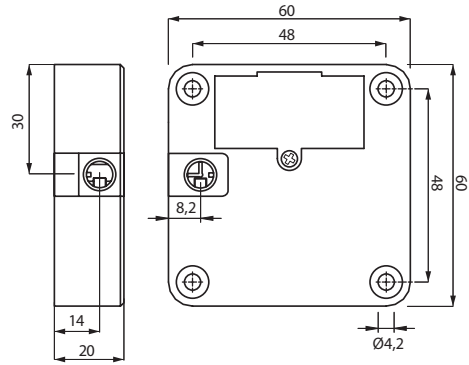
Features

- Reliable function through up to 25 mm of non-conductive material
- Minimum of 30,000 latch opening per battery
- 49 different keys can be programmed per lock
- Simple to install at all times
- Simple programming, no PC, no wire



2 Way Proxy E-Lock
60 x 60 x 20 mm, Black,
No Accessories.

Item No.: 14.60.299



**2 Way Proxy "SLAVE"
E-Lock**

60 x 60 x 20 mm Black,
Incl. Spacer Plate
& 1,5 Meter Cable

Item No.: # 14.60.300



Group function – master/slave

If one lock opens, all connected locks will open. This software update allows the simultaneous opening of locks that are connected via the connecting cable and the spacer plate. The "group mode" can be used for heavy drawers that have two locks or for cabinets that have several drawers. Only one external antenna.

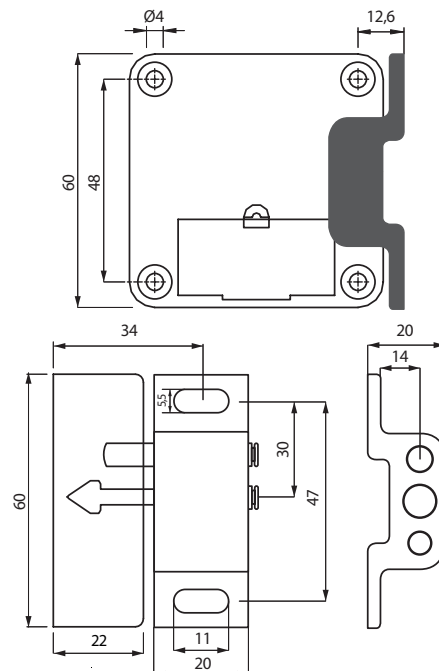
Lock in combination Slave

From the outside, this – Slave lock is identical to the standard lock but without a RFID reader. If you connect this lock to a lock (in group mode), this lock will open and close at the same time as the lock.

Using the three plugs, one Slave can be connected to another or additional external power supply can be attached. A suitable cable is included.

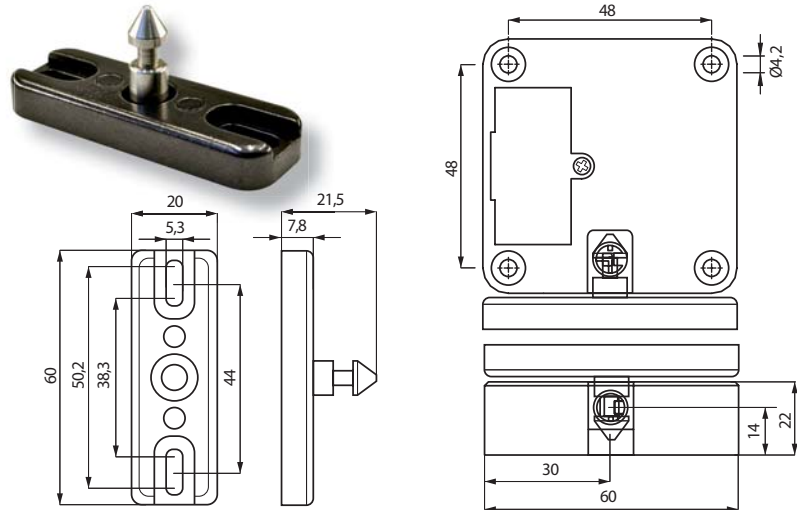
Zamak Spring Catch
w/Push To Open function
& build-in magnet, Black.

Item No.: # 14.60.317



Flat Striker W/Magnet,
For Sliding Doors,
Zamak Body - black

Item No.: # 14.60.309-5



Lithium Battery

The 3 volt lithium battery has life-span of 10 years with the 125 KHz and 3 years with the 13,56 MHz technology. The battery has enough power to open the lock more than 30,000 times. When the battery starts to run out, the lock will no longer lock and a continuous tone will sound for 15 seconds, at this point change the battery.

Item No.: # 14.60.307



Programming card

This card can be used to give or deny access as well as to change the software settings. The same programming card can be assigned to multiple locks within a shop / area for example.

Item No.: # 14.60.305



Chip Key - Plastic -
Max 20 mm Range

Item No.: # 14.60.306-0



Chip Key wristband

Item No.:

Red Color # 14.60.310

Black Color # 14.60.311



Flat external antenna

The flat external antenna is used whenever the distance from the key is greater than 25 mm or if the lock is fixed onto a rear panel. Cable: 1,5 m. Can be plugged directly into the lock

Item No.: # 14.60.312-9



Glass assembly kit for lock

1 Kit consists of:

1 Panel F/Lock

1 Black adhesive Foil

4 Black Fixing Screws 4x25 mm

Item No.: # 14.60.316-0



Glass assembly kit for striker

1 Kit consists of:

1 Panel F/Striker

1 Black adhesive Foil

2 BZP Fixing Screws M4x6 mm

Item No.: # 14.60.316-5



Round external mini-antenna

With a hole of 7,5 mm diameter, this round mini antenna can be placed in several variations.

Item No.: # 14.60.312-5



External power supply

The cable is 1,5 m long and can be plugged directly into the lock. Each converter can supply a maximum of 5 locks. Please note: Never use transformers and batteries at the same time!

Item No.: # 14.60.296



Software up-date "Lock Delay"

The lock only shuts automatically after a 7 second time delay.

Item No.: # 14.60.304

Software update "Sound Off"

The opening, closing and programming signal is turned off.

Item No.: # 14.60.304

Software up-date "Alarm door open"

If door is not closed after 20 seconds an alarm will go off. Works only locking device # 14.60.309

Item No.: # 14.60.304

Extension cable

extra junction for an additional lock. Length 1.5 Mtr.

Item No.: # 14.60.297



Software up-date "Break in alarm"

If the locks is opened unauthorized an alarm sounds. Works only locking device # 14.60.309

Item No.: # 14.60.304

Software update "Group Function"

All connected locks open and close together.

Item No.: # 14.60.304

Software update "Bolting Function"

The lock only shuts when the key has been read in a second time.

Item No.: # 14.60.304

Programming instruction

Programming card

This programming card can be used to give or delete access as well as to change the software settings. Only one programming card is necessary to operate innumerable locks. In a shopping mall, for example, one programming card can operate 1,000 locks. The programming card can be assigned to a lock by pressing the button on the rear-side and then holding the programming card on the lock in 3 seconds.



Activating the programming card

Initialising / activating a programming card

1. Press the push-button on the back (1).
2. The lock will make a ticking sound (signal). Hold the programming card on the lock in 3 seconds of hearing this signal.
3. Two short ascending tones will confirm that the programming card has been saved successfully.

Initialising a key

Initialising the key card or chip key

1. Please place the programming card onto the lock.
2. The lock will make a ticking sound (signal). Place the key card or chip key onto the lock in 3 seconds of hearing this signal.

3. Two short ascending tones will confirm that initialisation was successful.
4. The lock can now be opened using the key card or the chip key.

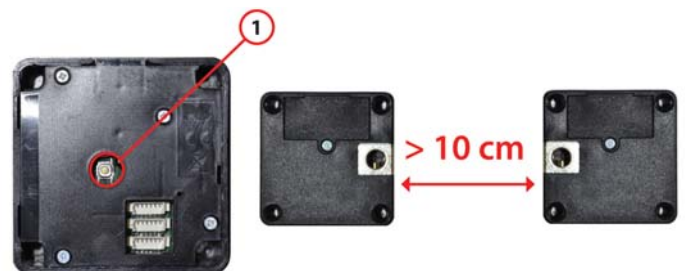
Deleting the key card or chip key

Key access denied

1. Please place the programming card onto the lock.
2. The lock will make a ticking sound (signal). Place the key card or chip key onto the lock in 3 seconds of hearing this signal.
3. Two short ascending tones will confirm that deletion was successful.

Delete all keys

To delete all keys at once, place the programming card onto the lock for several seconds.



A series of horizontal dotted lines spanning the width of the page, intended for handwritten notes.

A series of horizontal dotted lines spanning the width of the page, intended for handwritten notes.



- high quality furniture fittings

Item No.: 99.00.003-0 31.08.2018

SISO A/S

Mileparken 11 Phone: (+45) 45 830 900
DK - 2740 Skovlunde (Copenhagen) Fax: (+45) 45 830 444
Denmark E-mail: siso@siso.dk Web: www.siso.dk